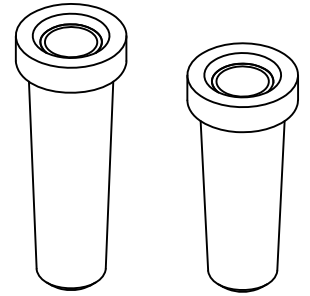
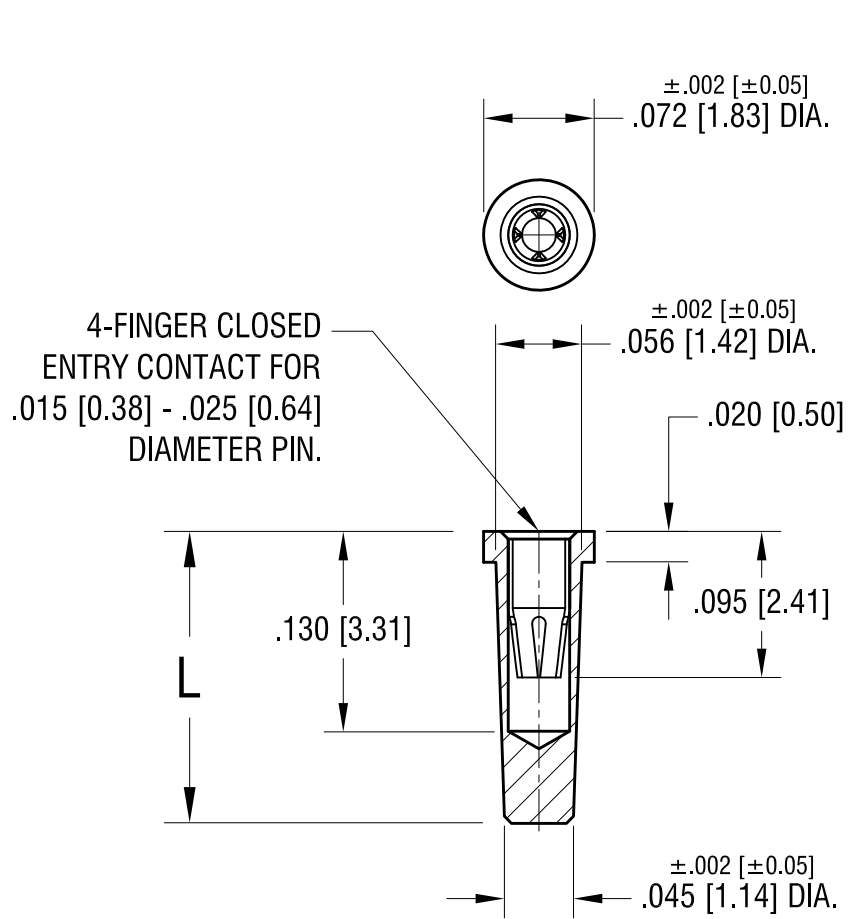


THIS DOCUMENT IS THE PROPERTY OF KEYSTONE ELECTRONICS CORP. AND SHALL NOT BE REPRODUCED, DISTRIBUTED OR USED AS A BASIS FOR MANUFACTURE WITHOUT PRIOR WRITTEN PERMISSION FROM KEYSTONE ELECTRONICS CORP.



NOTES:

1. BODY: MAT'L - BRASS
SPRING CONTACT: MAT'L - BERYLLIUM COPPER
2. MOUNTING HOLE DIA.: .055 [1.40]

| PART NO. | 'L' DIM. |
|----------|-------------|
| 1435-1 | .160 [4.06] |
| 1435-2 | .190 [4.83] |

| | | |
|---------|--------------------------|------|
| 8.30.11 | CHANGE AS PER ECN 11-119 | A |
| DATE | DESCRIPTION | REV. |

| | | | |
|---|-----------------|-----------------|-----------------|
| KEYSTONE ELECTRONICS CORP. | | | |
| www.keyelco.com • ASTORIA, N.Y. 11105-2017 • Tel (718) 956-8900 | | | |
| PART NAME MICRO JACK, TAPER-FIT | | | |
| MATERIAL AS NOTED | | | |
| FINISH TIN/LEAD PLATE | | DRN BY BOONE | DATE 2.15.07 |
| | | APP'D LN | SCALE 8X |
| TOLERANCES | INCH [MM] | CODE | DWG NO. |
| DECIMAL | ± .005 [± 0.13] | C/M | 1435-1 - 1435-2 |
| ANGULAR | ± 1° | | |
| UNLESS OTHERWISE SPECIFIED | | | |

Mouser Electronics

Authorized Distributor

Click to View Pricing, Inventory, Delivery & Lifecycle Information:

[Keystone Electronics:](#)

[1435-2](#)