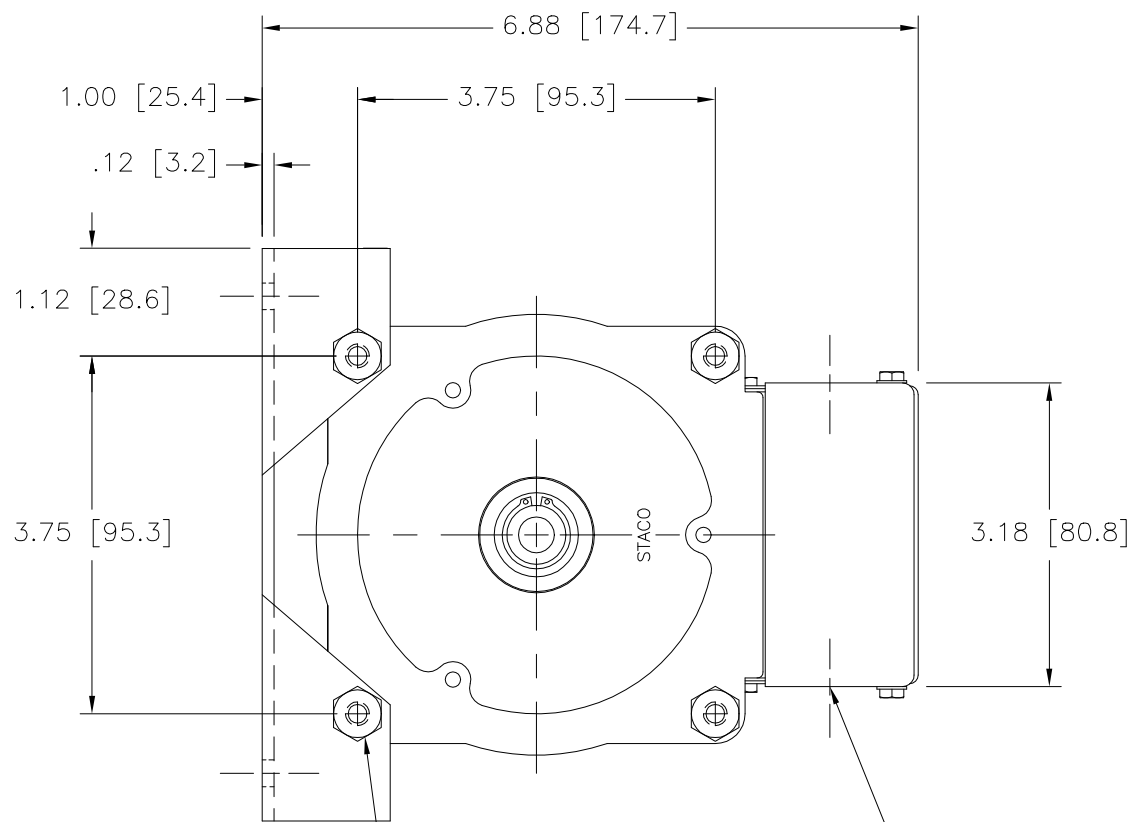
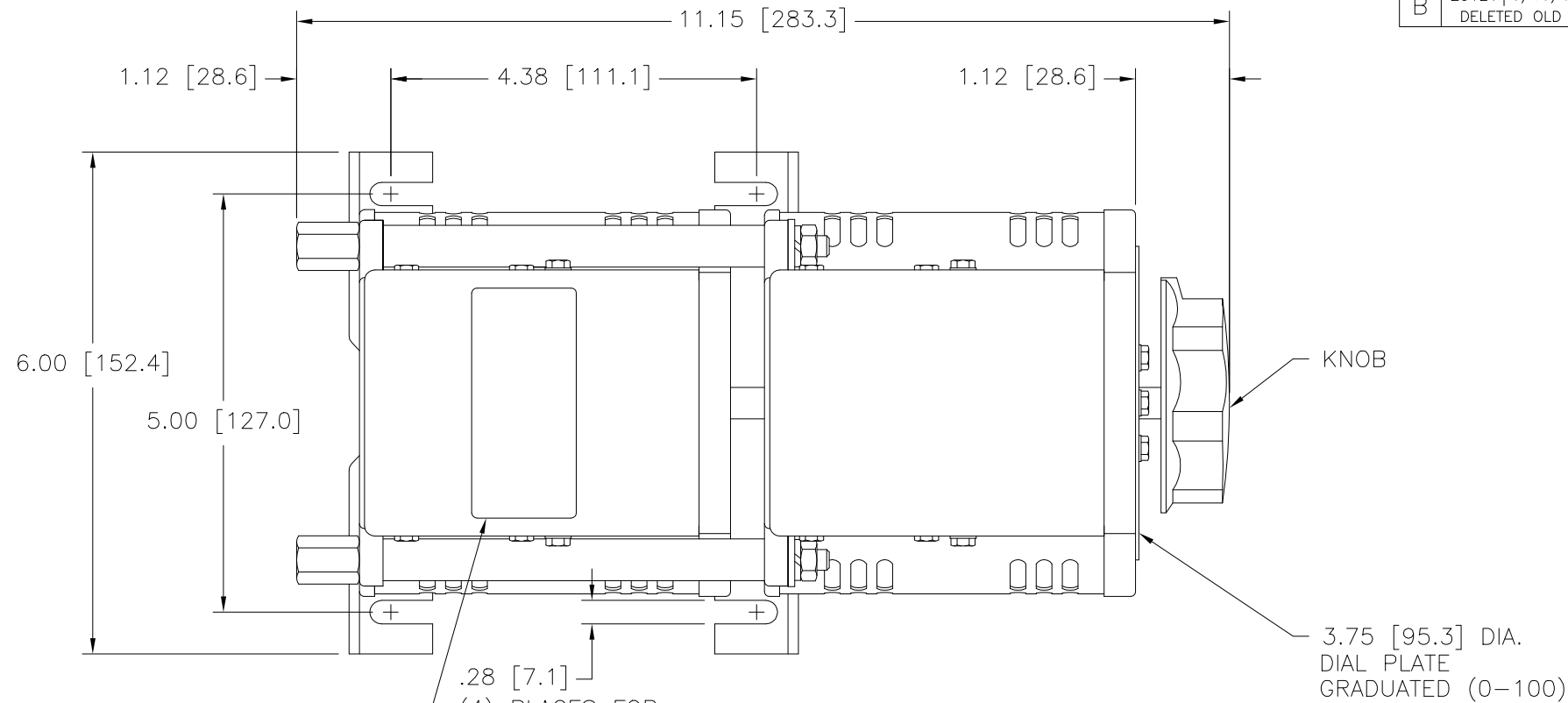


DWG. NO.	031-3318		
REVISIONS			
SYM.	E.C.N.	DATE	APVD.
A	24194	4/25/00	DELETED BLIND HOLES
B	25121	5/13/03	DELETED OLD LOGO



(4) STANDOFFS TAPPED  
1/4-28 X .38 [9.5] DEEP  
FOR MOUNTING BOLTS

.88 [22.2] DIA. KNOCKOUT  
(5) PLACES FOR  
WIRING CONNECTIONS

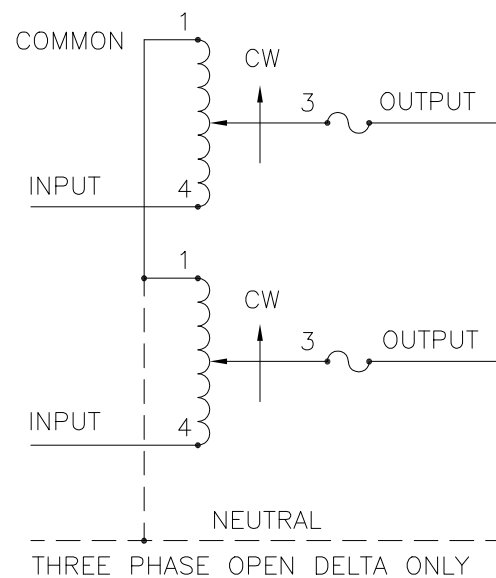


NAMEPLATE

.28 [7.1]  
(4) PLACES FOR  
CUSTOMER MOUNTING

KNOB

3.75 [95.3] DIA.  
DIAL PLATE  
GRADUATED (0-100)



SCHEMATIC  
THREE PHASE OPEN DELTA AND SINGLE  
PHASE SERIES. FUSE RECOMMENDED BUT  
NOT SUPPLIED.

⌘ IF GANGED UNITS ARE USED IN A SYSTEM THAT ORDINARILY HAS A COMMON NEUTRAL OR GROUND BETWEEN SOURCE AND LOAD, THE NEUTRAL OR GROUND MUST BE CONNECTED TO THE COMMON TERMINALS OF THE VARIABLE TRANSFORMER ASSEMBLY. IF THE SYSTEM HAS NO NEUTRAL, THE LOAD MUST BE BALANCED OR THE TRANSFORMER WILL BE DAMAGED.

■ JUMPER PROVIDED IN STANDARD COMMON POSITION AND SHOULD BE MOVED OR REMOVED AS REQUIRED.

++ LINE TO LINE VOLTAGE.

SPECIFICATIONS											
WIRING	INPUT		OUTPUT				SHAFT ROTATION TO INCREASE VOLTAGE	TERMINAL CONNECTIONS			
	VOLTS	HERTZ	VOLTS	CONSTANT CURRENT LOAD		CONSTANT IMPEDANCE LOAD		FOR INCREASING VOLTAGE AS VIEWED FROM BASE END ■			
				MAX. AMPS	MAX. KVA	MAX. AMPS		MAX. KVA	INPUT	JUMPER	OUTPUT
SINGLE PHASE SERIES	480	60	0-480	5.0	2.40	7.0	3.36	CW	1-1	4-4	3-3
								CCW	4-4	1-1	3-3
THREE PHASE OPEN DELTA ⌘	240	60	0-240	5.0	2.08	7.0	2.91	CW	1-4-1	4-4	3-4-3
								CCW	4-1-4	1-1	3-1-3

UNLESS OTHERWISE SPECIFIED, TOLERANCE IS ±  
DECIMALS .005  
HOLES .002  
ANGLES 1°  
DRAFT 1-1/2°

MATERIAL: ALL DIMENSIONS APPLY AFTER PLATING

TITLE: SPEC. CONTROL DRAWING  
VARIABLE TRANSFORMER  
MODEL: 1220BCT-2



DRAWN BY: S.A. SMITH  
CHECKER: DATE: 9/26/97  
ENGINEER: DATE:

DATE: 9/26/97  
FIRST USED ON: DATE:  
DO NOT SCALE DWG. CAGE CODE: 83008  
WEIGHT APPROX. 22.5 LBS  
SCALE: 1=1 SHEET 1 OF 1

DWG. NO. 031-3318

# Mouser Electronics

Authorized Distributor

Click to View Pricing, Inventory, Delivery & Lifecycle Information:

[Staco:](#)

[1220BCT-2](#)