

丸形

Round Type

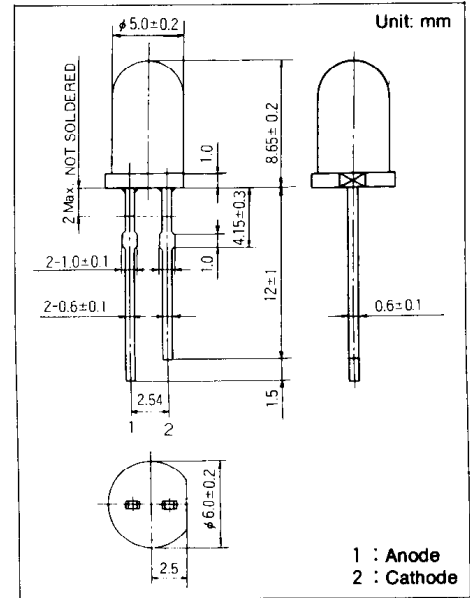
φ 5.0mm Series

| Type No. | Lighting Color |
|-----------|----------------|
| LN41YPHL | Amber |
| LN41YCPHL | Amber |
| LN41CPHL | Amber |

絶対最大定格 Absolute Maximum Ratings (Ta=25 °C)

| Lighting Color | P _D (mW) | I _F (mA) | I _{FP} (mA)* | V _R (V) | Topr (°C) | Tstg (°C) |
|----------------|---------------------|---------------------|-----------------------|--------------------|-----------|-----------|
| Amber | 90 | 30 | 150 | 4 | -25~+85 | -30~+100 |

* I_{FP}の条件は、duty 10%, Pulse width 1 msec. The condition of I_{FP} is duty 10%, Pulse width 1 msec



電気的光学的特性 Electro-Optical Characteristics (Ta=25 °C)

| Type No. | Lighting Color | Lens Color | I ₀ | | | V _F | | λ _P | Δλ | I _F | I _R | |
|-----------|----------------|----------------|----------------|------|----------------|----------------|------|----------------|----|----------------|----------------|----------------|
| | | | Typ. | Min. | I _F | Typ. | Max. | | | | Max. | V _R |
| LN41YPHL | Amber | Amber Diffused | 8.0 | 3.0 | 20 | 2.2 | 2.8 | 590 | 30 | 20 | 10 | 4 |
| LN41YCPHL | Amber | Amber Clear | 20.0 | 10.0 | 20 | 2.2 | 2.8 | 590 | 30 | 20 | 10 | 4 |
| LN41CPHL | Amber | Clear | 25.0 | 10.0 | 20 | 2.2 | 2.8 | 590 | 30 | 20 | 10 | 4 |
| Unit | — | — | mcd | mcd | mA | V | V | nm | nm | mA | μA | V |

