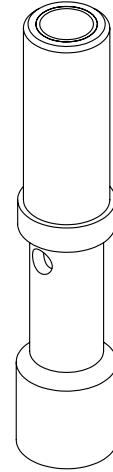
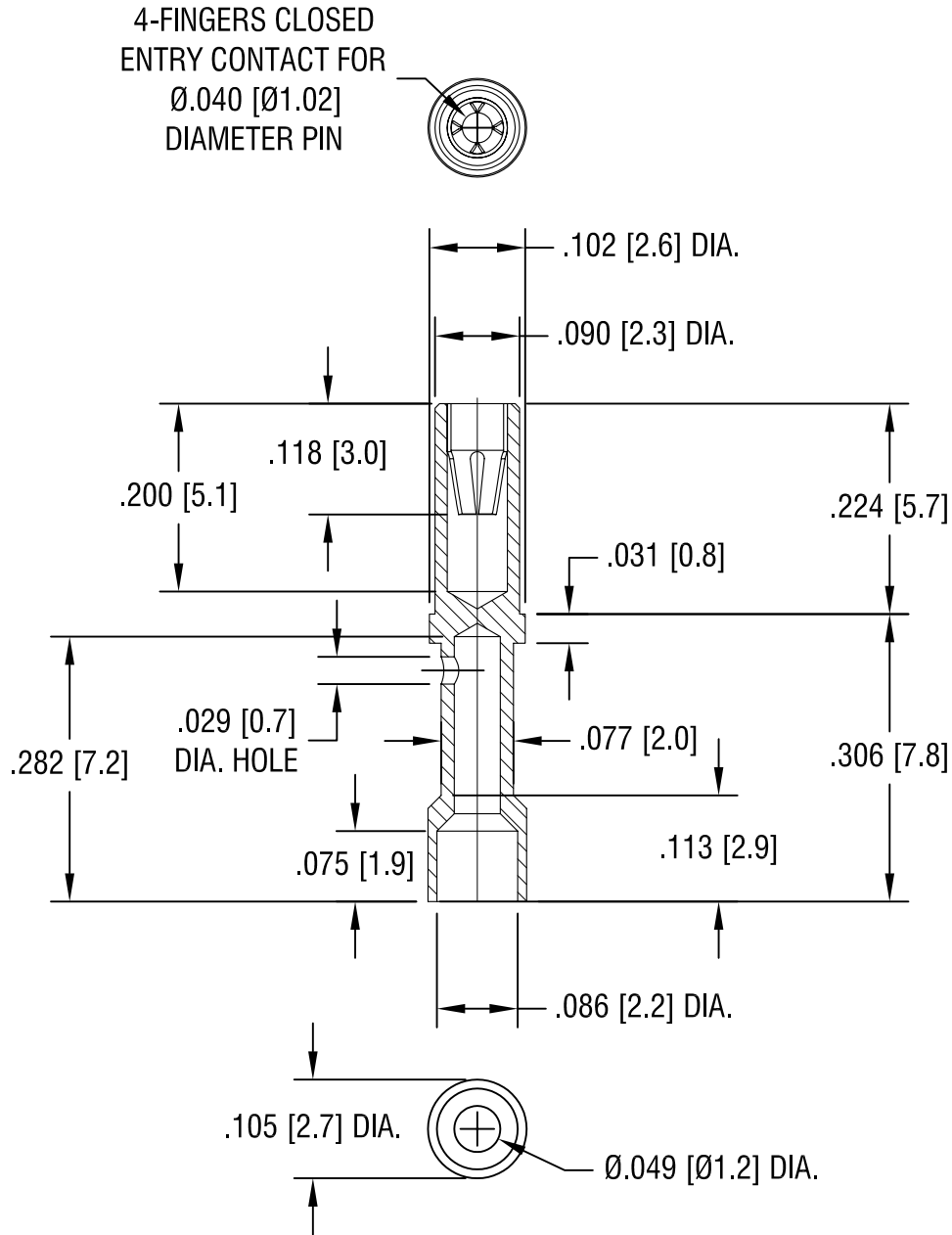


THIS DOCUMENT IS THE PROPERTY OF  
KEYSTONE ELECTRONICS CORP. AND  
SHALL NOT BE REPRODUCED, DISTRIBUTED  
OR USED AS A BASIS FOR MANUFACTURE  
WITHOUT PRIOR WRITTEN PERMISSION  
FROM KEYSTONE ELECTRONICS CORP.



NOTES:

1. BODY: MAT'L - BRASS  
FINISH: TIN PLATE
2. SPRING CONTACT: MAT'L - BERYLLIUM COPPER  
FINISH: GOLD PLATE
3. ACCEPTS .040 DIA. PIN

**KEYSTONE ELECTRONICS CORP.**

www.keyelco.com • ASTORIA, N.Y. 11105-2017 • Tel (718) 956-8900

|                            |                 |   |         |
|----------------------------|-----------------|---|---------|
| PART NAME                  |                 | JACK FOR .032 [.81]-.046 [1.17] DIA. PINS |         |
| MATERIAL                   |                 | AS NOTED                                  |         |
| FINISH                     | AS NOTED        | DRN BY                                    | NT      |
|                            |                 | APP'D                                     | LN      |
|                            |                 | DATE                                      | 3.29.07 |
|                            |                 | SCALE                                     | 5X      |
| TOLERANCES                 | INCH [MM]       | CODE                                      | DWG NO. |
| DECIMAL                    | ± .005 [± 0.15] | C/M                                       |         |
| ANGULAR                    | ± 1°            |   |         |
| UNLESS OTHERWISE SPECIFIED |                 |   |         |

|         |                   |      |
|---------|-------------------|------|
| 3.11.08 | AS PER ECN 08-094 | A    |
| DATE    | DESCRIPTION       | REV. |

**3595**

# Mouser Electronics

Authorized Distributor

Click to View Pricing, Inventory, Delivery & Lifecycle Information:

[Keystone Electronics:](#)

[3595](#)