

THIS DRAWING IS UNPUBLISHED.  
DIFFUSION RESTREINTE

RELEASED FOR PUBLICATION  
LIBRE A LA DIFFUSION

20

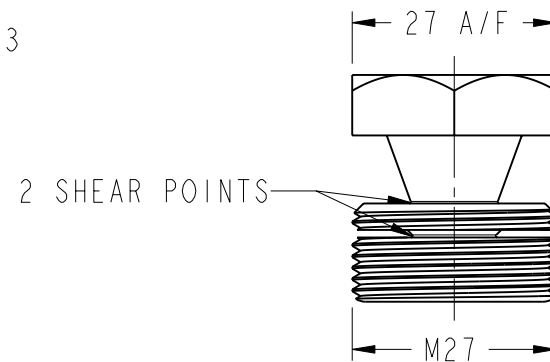
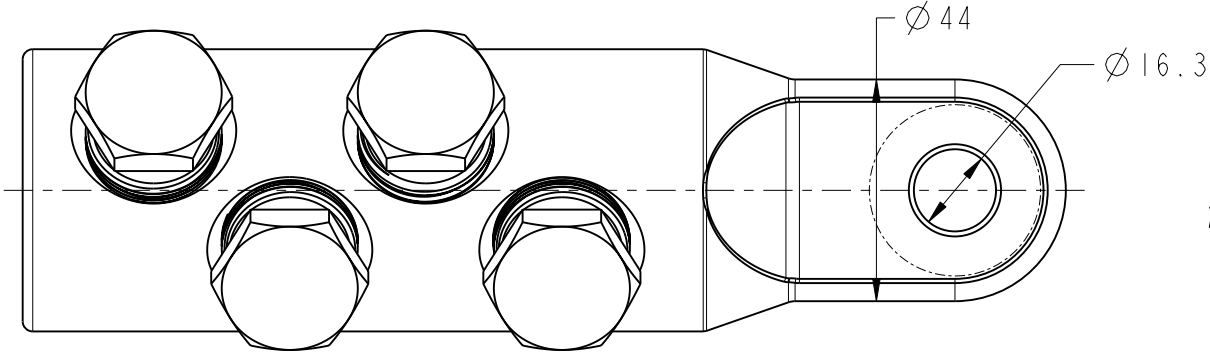
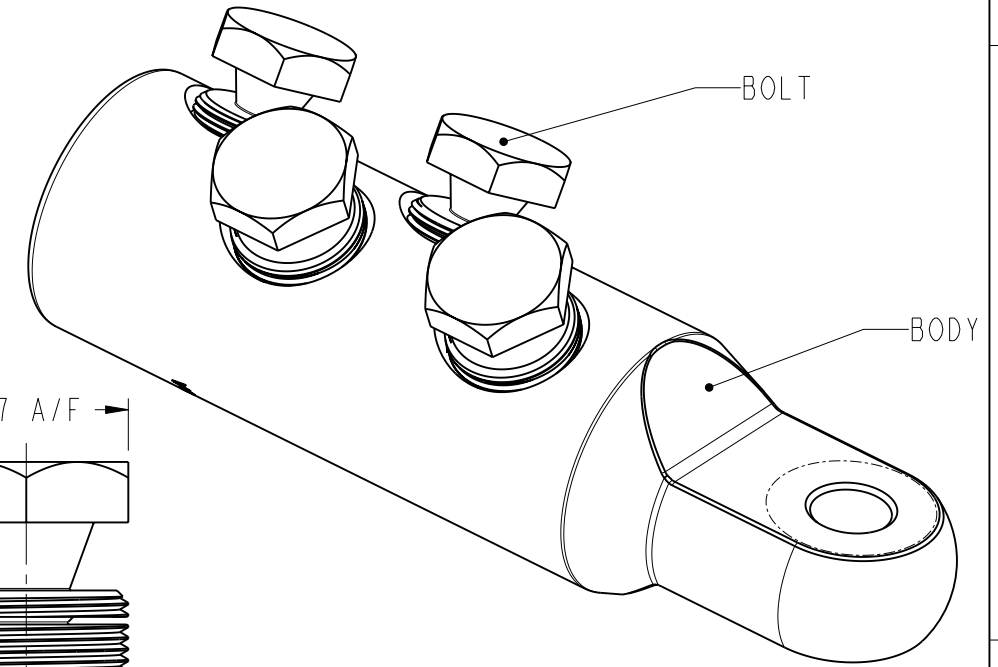
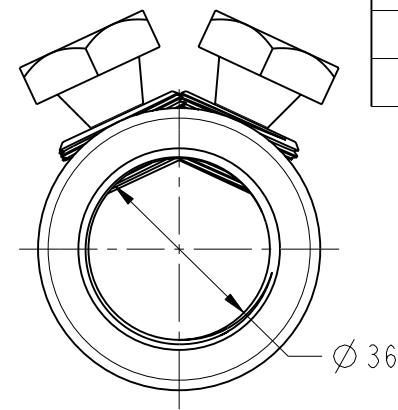
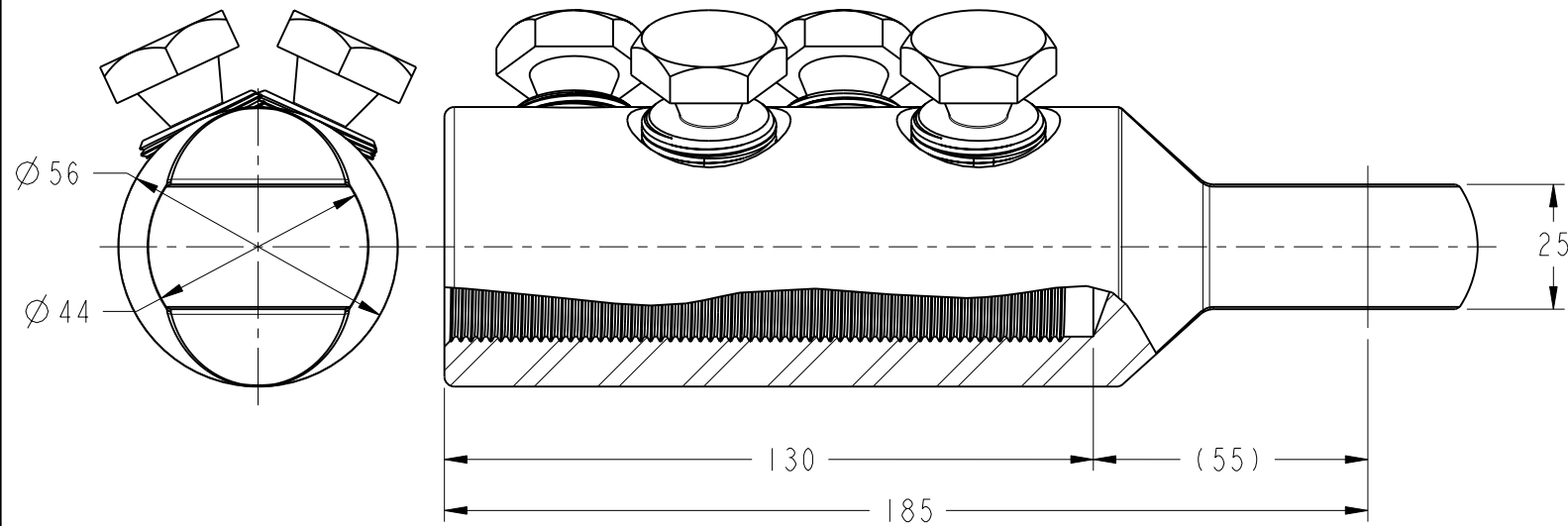
© COPYRIGHT 20 BY -

ALL RIGHTS RESERVED.  
TOUS DROITS RESERVES

LOC DIST  
FH 2

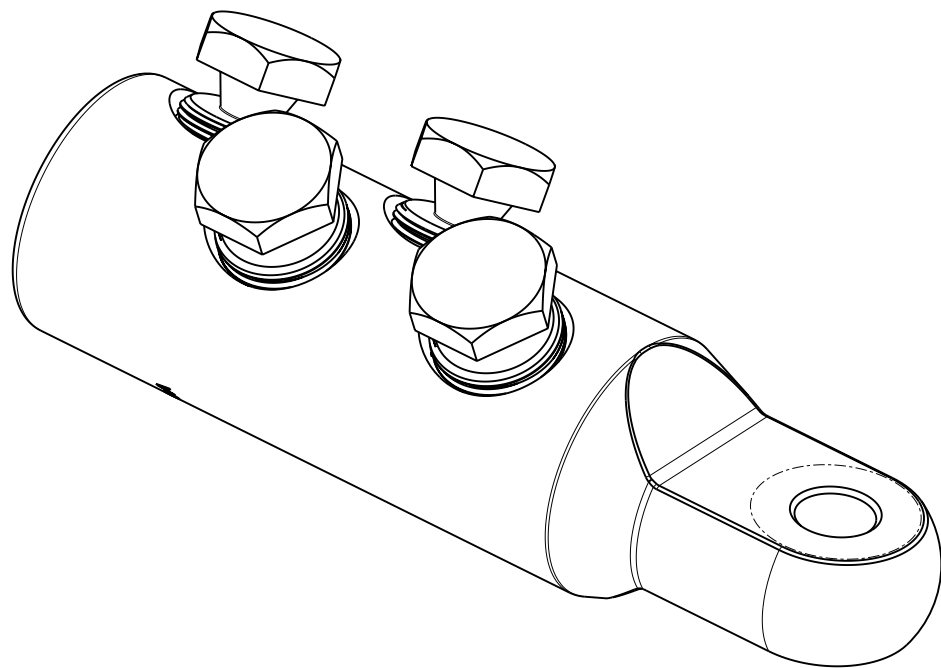
REVISIONS

P	LTR REV	DESCRIPTION MODIFICATIONS	DATE	DWN DESS.	APVD APP.
	I	CREATION	07MAY2009	BM	NA
	A	DRAWING DIFFUSION	15APR2011	BM	NA





BLMC-800-16-1250A	2107030-1	CRI099-000
DESCRIPTION	PART NUMBER	RPN

	AL				CU	
	ROUND STRANDED /Circ. câblé /RM	ROUND SOLID /Circ. massif /RE	SECTOR STRANDED /Sectoral câblé /SM	SECTOR SOLID /Sectoral massif /SE	ROUND STRANDED /Circ. câblé /RM	SECTOR STRANDED /Sectoral câblé /SM
CONDUCTOR CROSS-SECTION /Section conducteur /Querschnittsbereich mm <sup>2</sup>	800	800	-	-	800	-
CONDUCTOR DIAMETER /Diamètre conducteur /Leiterdurchmesser mm	Ø 32.5-Ø 35.3	Ø 30.9-Ø 32.1	-	-	Ø 32.5-Ø 35.3	-



TOLERANCES UNLESS OTHERWISE SPECIFIED: -  
TOLERANCES NON SPECIFIEES: -

THIS DRAWING IS A CONTROLLED DOCUMENT. CE PLAN EST UN DOCUMENT CONTROLE PAR TYCO ELECTRONICS CORPORATION IL EST SUSCEPTIBLE D'ETRE REVISE. POUR OBTENIR LA DERNIERE REVISION, CONTACTER LE SERVICE TECHNIQUE DE TYCO ELECTRONICS SIMEL SAS, 21220 GEVREY-CHAMBERTIN, FRANCE.		DWN /DESSINE 07MAY2009 B. MILLOT	 TE Connectivity	
DIMENSIONS: mm		CHK /VERIFIE N. EVANS		
		APVD /APPROUVE N. ALMEIDA	NAME TITRE BLMC-800-16-1250A	
MATERIAL MATIERE AL ALLOY		PRODUCT SPEC SPEC. PRODUIT	SIZE FORMAT A3	
FINISH FINITION TINNED		APPLICATION SPEC SPEC. APPLICATION	CAGE CODE -	
		WEIGHT MASSE APPROX. 811 g	DRAWING NO No PLAN C-2107030	
		CUSTOMER DRAWING /PLAN CLIENT	RESTRICTED TO RESERVE A -	
		UNIQUEMENT POUR REFERENCE	SCALE ECHELLE 2:3	
			SHEET FEUILLE 1 OF DE 1 REV A	