

REVISION E
REVISED AND
REDRAWN ON
CAD/CAM
01/02/92 HA

REVISION F
TEMECULA
WAS CARSON
05/12/98 TS

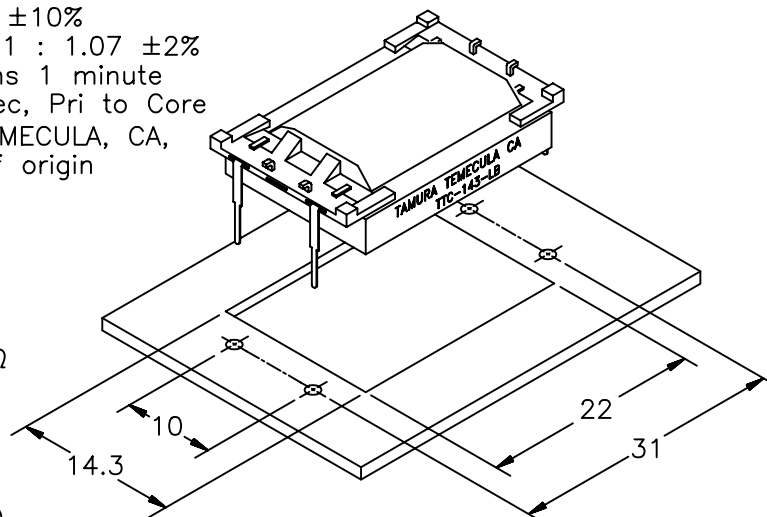
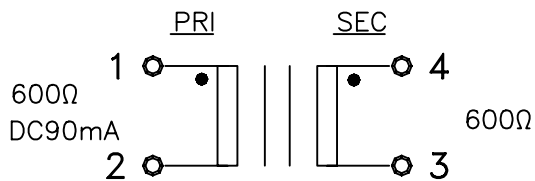
FCC68 DIRECT CONNECT TELEPHONE COUPLING TRANSFORMER 600:600

A. Electrical Specifications (@ 25° C)

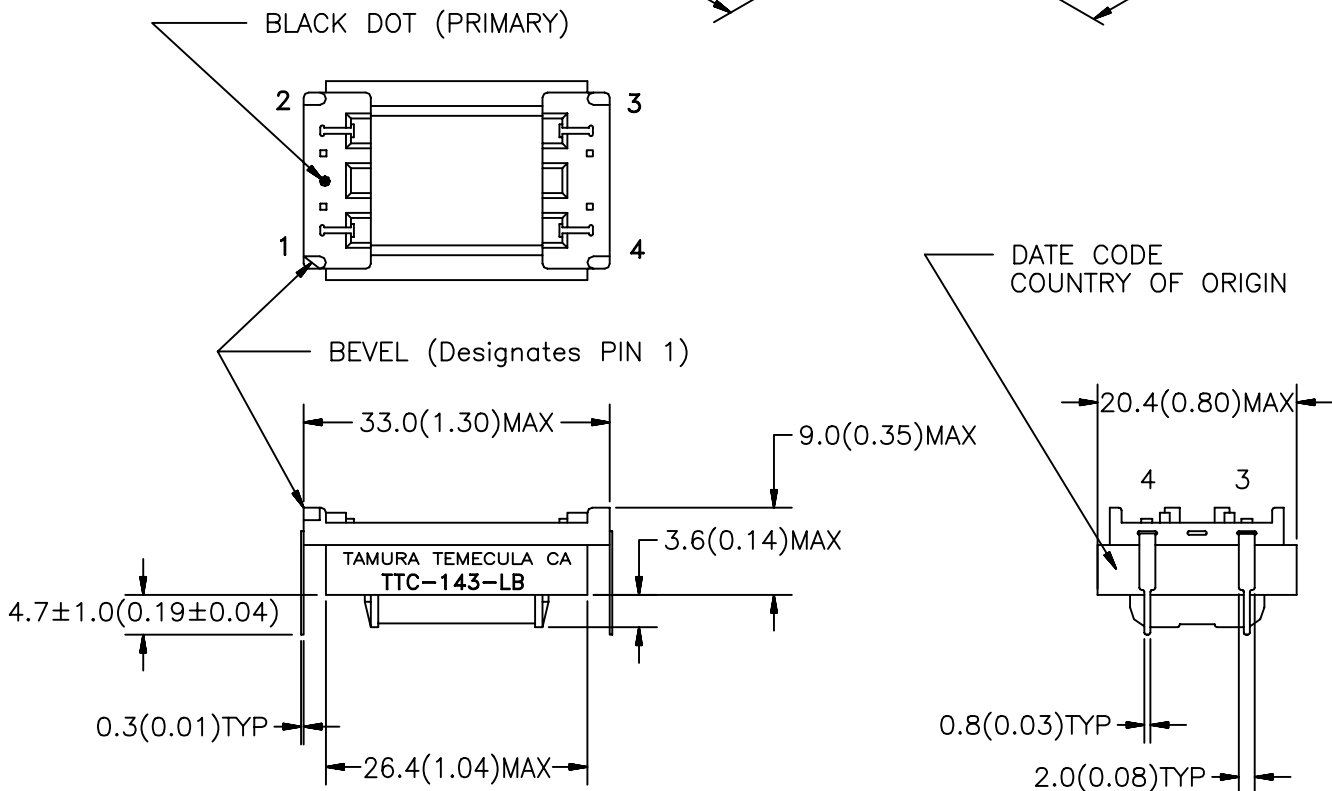
1. Pri Source Impedance; 600 Ω
2. Sec Load Impedance; 600 Ω
3. Pri DC Unbalance Current; 90mA
4. Operating Level; -45dBm to +10dBm
5. Insertion Loss; 1.8dB MAX @ 1800Hz 0dBm & DC90mA
6. Frequency Response;
 - +0.2dB, -1.1dB @ 500-3500Hz 0dBm & DC90mA (relative to 1800Hz)
 - +0.2dB, -2.5dB @ 300-3500Hz 0dBm & DC90mA (relative to 1800Hz)
7. Pri Impedance; 600 Ω ±20% @ 500-1800Hz 0dBm & DC90mA
8. Pri Return Loss; 14dB MIN @ 1800Hz 0dBm & DC90mA
9. Longitudinal Balance; 60dB MIN @ 200-4000Hz
10. Total Harmonic Distortion; 0.5% MAX @ 300-3500Hz 0dBm & DC90mA
11. DC Resistance; (1-2) = 85 Ω ±10%
(3-4) = 110 Ω ±10%
12. Turns Ratio; (1-2) : (3-4) = 1 : 1.07 ±2%
13. Dielectric Strength; AC 1500Vrms 1 minute
@ Pri to Sec, Pri to Core

B. Marking; TTC-143-LB, TAMURA TEMECULA, CA,
Date Code & Country of origin

C. Schematic Diagram



D. Mechanical Specifications



TOLERANCES (mm)
≤ 4 ± 0.2
4 ≤ 20 ± 0.3
20 ≤ 50 ± 0.4

PREPARED BY:

D. Kelley

Note: Pin Material: Solder plated copper pin

ENGINEER:

T. Shiozawa

DRAWING CONTROL NO.
P-A1-10316
ACAD\TTC\A1103161.DWG

REV

F

MODEL DESCRIPTION
DIRECT CONNECT TELEPHONE
COUPLING TRANSFORMER

MODEL SPECIFICATION

TTC-143-LB

QUALITY CONTROL:

D. Kelley

CONTENTS OF THIS DRAWING ARE
SUBJECT TO CHANGE WITHOUT
PRIOR NOTICE

TAMURA CORPORATION OF AMERICA

43352 BUSINESS PARK DRIVE, TEMECULA, CA. 92590-6624
(909) 699-1270 FAX 9096769482

DIM: mm(In) SCL: NONE SH: 1 OF 1

APPROVED:

D. Suzuki

PROPRIETARY NOTICE: THIS DRAWING PRINT OR DOCUMENT AND SUBJECT MATTER DISCLOSED HEREIN ARE PROPRIETARY ITEMS TO WHICH TAMURA RETAINS THE EXCLUSIVE RIGHT OF DISSEMINATION, REPRODUCTION, MANUFACTURE AND SALE. THIS DRAWING, PRINT OR DOCUMENT IS SUBMITTED IN CONFIDENCE FOR CONSIDERATION BY THE RECIPIENT ALONE UNLESS PERMISSION FOR FURTHER DISCLOSURE IS EXPRESSLY GRANTED IN WRITING.

MODEL NUMBER

TTC-143-LB

Mouser Electronics

Authorized Distributor

Click to View Pricing, Inventory, Delivery & Lifecycle Information:

[Tamura:](#)

[TTC-143-LB](#)