



Digital Dual Axis Micromachined Accelerometer

The MMA62XXKEG is a two-axis member of Freescale's family of SPI-compatible accelerometers. These devices incorporate digital signal processing for filtering, trim and data formatting.

Features

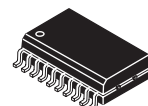
- Available in $\pm 20/20g$, $\pm 50/50g$, or $\pm 100/100g$ versions. Additional g-ranges between 20 and 100g may be available upon request
- Full-scale range is independently specified for each axis
- 400 Hz low-pass filter, 0.1 Hz high-pass filter, 4-pole, 16 μs sample time, additional filter options are available
- Ratiometric analog voltage output
- 10-bit digital signed data output
- SPI-compatible serial interface
- Capture/hold input for system-wide synchronization support
- 3.3 or 5 V single supply operation
- On-chip temperature sensor and voltage regulator
- Bidirectional internal self-test
- Minimal external component requirements
- Pb-free 20-pin SOIC package
- Qualified AEC-Q100, Rev. F Grade 2 ($-40^{\circ}C/ +105^{\circ}C$)

Typical Applications

- Crash Detection (Airbag)
- Impact and vibration monitoring
- Shock Detection

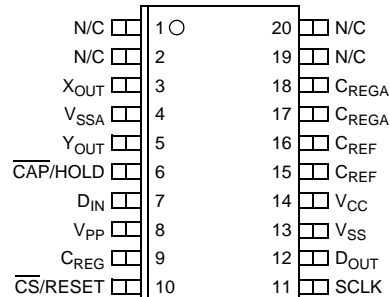
MMA6222KEG
MMA6255KEG
MMA621010KEG

2-AXIS
SPI-COMPATIBLE
ACCELEROMETER



KEG SUFFIX (Pb-free)
20-LEAD SOIC
CASE 475A-02

PIN CONNECTIONS

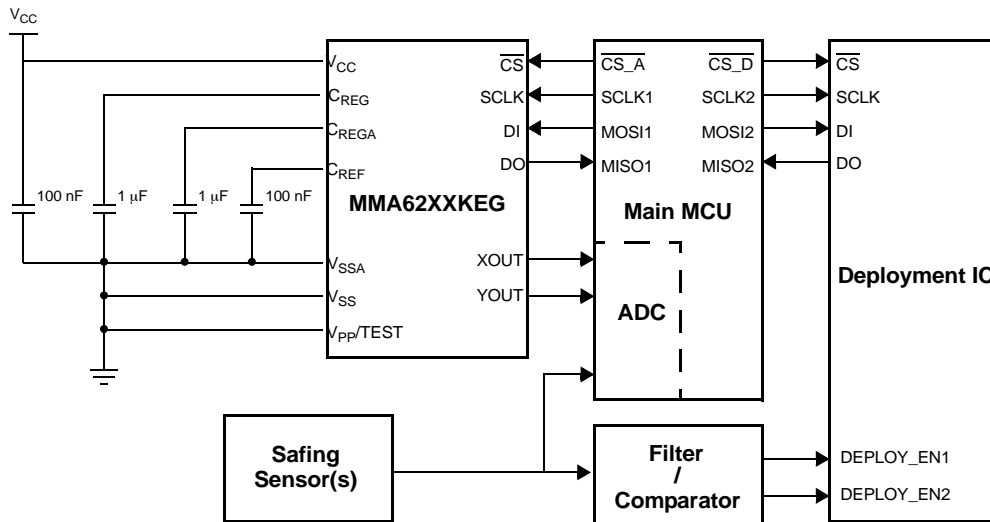


20-PIN SOIC PACKAGE
N/C: NO INTERNAL CONNECTION

ORDERING INFORMATION

Device Name	X-Axis, g-Level	Y-Axis, g-Level	Temperature Range	Package	Packaging
MMA6222EG	20	20	-40 to +105°C	475A-02	Tubes
MMA6222EGR2	20	20	-40 to +105°C	475A-02	Tape & Reel
MMA6222KEG*	20	20	-40 to +105°C	475A-02	Tubes
MMA6222KEGR2*	20	20	-40 to +105°C	475A-02	Tape & Reel
MMA6255EG	50	50	-40 to +105°C	475A-02	Tubes
MMA6255EGR2	50	50	-40 to +105°C	475A-02	Tape & Reel
MMA6255KEG*	50	50	-40 to +105°C	475A-02	Tubes
MMA6255KEGR2*	50	50	-40 to +105°C	475A-02	Tape & Reel
MMA621010EG	100	100	-40 to +105°C	475A-02	Tubes
MMA621010EGR2	100	100	-40 to +105°C	475A-02	Tape & Reel
MMA621010KEG*	100	100	-40 to +105°C	475A-02	Tubes
MMA621010KEGR2*	100	100	-40 to +105°C	475A-02	Tape & Reel

*Part number sourced from a different facility.



Note: If one axis of the MMA62XXKEG sensor is expected to be used as a confirmation of the other axis, Freescale recommends that MMA62XXKEG used in conjunction with an additional sensing/safing device for each axis.

Figure 1-1 Simplified Airbag Application Diagram

1.1 INTRODUCTION

The MMA62XXKEG is intended for applications which utilize serial communications as the primary data transfer mechanism. In addition, an analog output with lower accuracy is available.

Device serial number, acceleration range, filter characteristics and status information are available along with acceleration data via the SPI interface. A pair of digital-to-analog converters is enabled to provide ratiometric voltage outputs in addition to the digital acceleration value accessible via the SPI.

1.2 BLOCK DIAGRAM

A block diagram illustrating the major components of the design is shown in [Figure 1-2](#).

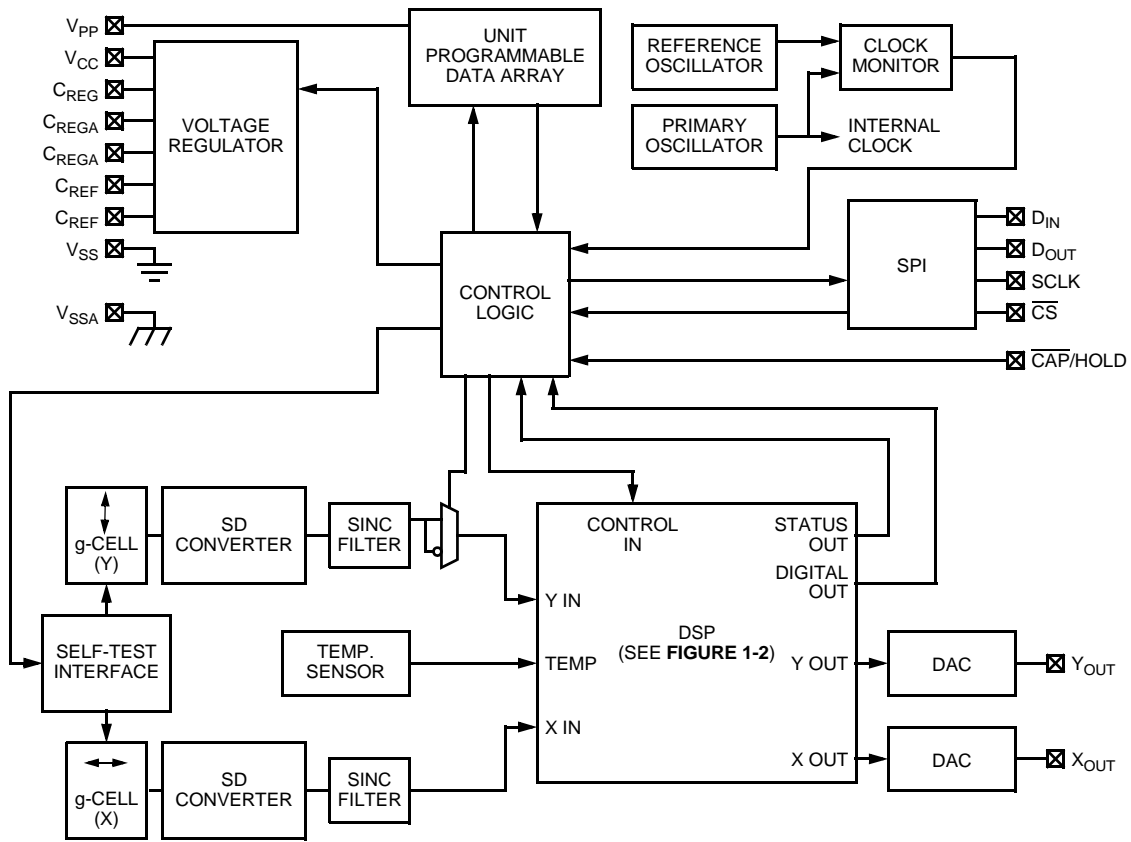


Figure 1-2 MMA62XXKEG Block Diagram

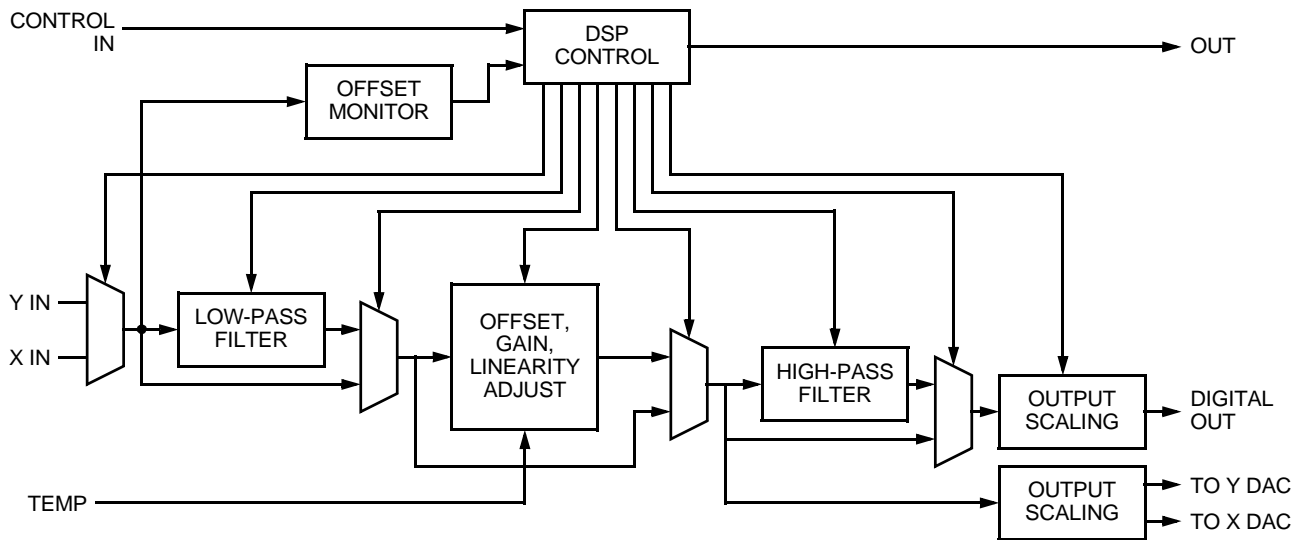
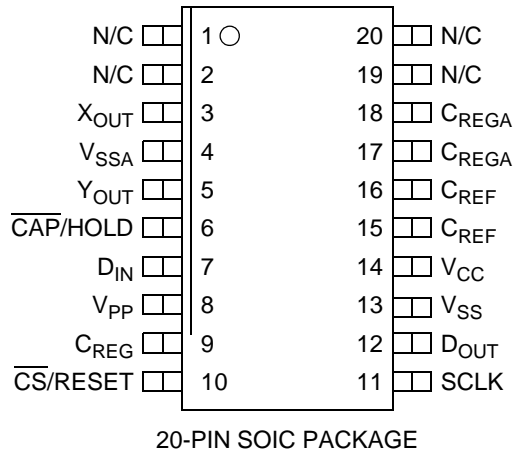


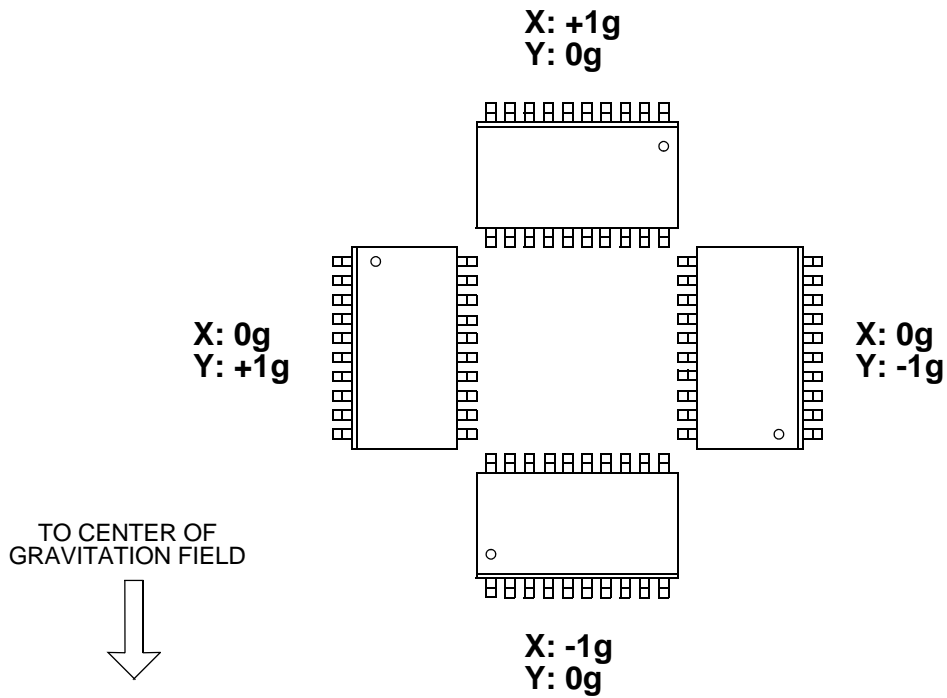
Figure 1-3 MMA62XXKEG DSP Block Diagram
NOTE: Models of signal chain are available upon request.

1.3 PIN FUNCTIONS

The pinout for the MMA62XXKEG device is illustrated in Figure 1-4. Pin functions are described below. When self-test is active, the output becomes more positive in both axes if ST1 is cleared, or more negative in both axes if ST1 is set, as described in Section 3.1.1.



N/C: NO INTERNAL CONNECTION



Response to static orientation within 1g field.

Figure 1-4 MMA62XXKEG Pinout

1.4 PIN FUNCTION DESCRIPTIONS

1.4.1 V_{CC}

This pin supplies power to the device. Careful printed wiring board layout and capacitor placement is critical to ensure best performance. An external bypass capacitor between this pin and V_{SS} is required, as described in [Section 1.5](#).

1.4.2 V_{SS}

This pin is the power supply return node for the digital circuitry on the MMA62XXKEG device.

1.4.3 V_{SSA}

This pin is the power supply return node for analog circuitry on the MMA62XXKEG device. An external bypass capacitor between this pin and V_{CC} is required, as described in [Section 1.5](#).

1.4.4 C_{REG}

This pin is connected to the internal digital circuitry power supply rail. An external filter capacitor must be connected between this pin and V_{SS} , as described in [Section 1.5](#).

1.4.5 C_{REGA}

These pins are connected in parallel to the internal analog circuitry power supply rail. One or two external filter capacitors must be connected between these pins and V_{SSA} , as described in [Section 1.5](#). Two pins are provided to support redundant connection to the printed wiring board assembly. Redundant external capacitors may be connected to these pins for maximum reliability, as described in [Section 1.5](#).

1.4.6 C_{REF}

These pins are connected in parallel to an internal reference voltage node utilized by the analog circuitry. One or two external filter capacitors must be connected between these pins and V_{SSA} , as described shown in [Section 1.5](#). Two pins are provided to support redundant connection to the printed wiring board assembly. Redundant external capacitors may be connected to these pins for maximum reliability, as described in [Section 1.5](#).

1.4.7 V_{PP}

This pin should be tied directly to V_{SS} .

1.4.8 $SCLK$

This input pin provides the serial clock to the SPI port. The state of this pin is also used as a qualifier for externally-controlled reset. An internal pull-down device is connected to this pin. This input may be left unconnected unless it is desired to initiate device reset as described in [Section 1.4.9](#).

1.4.9 $\overline{CS}/\overline{RESET}$

This pin provides two functions. When the SPI is enabled, this pin functions as the chip select input for the SPI port. The state of the D_{IN} pin during low-to-high transitions of $SCLK$ is latched internally and D_{OUT} is enabled when \overline{CS} is at a logic low level.

This pin may also be used to initiate a hardware reset. If \overline{CS} is held low and $SCLK$ is held high for 512 μs , the internal reset signal is asserted.

An internal pull-up device is connected to this pin.

1.4.10 D_{OUT}

This pin functions as the serial data output for the SPI port.

Immediately following device reset, D_{OUT} is placed in a high impedance state for approximately 800 μs . At the end of this time, D_{OUT} is driven high and a 3ms stabilization delay required by the internal circuitry begins. Reset is reported by the device so the system can be aware of potential difficulties if unexpected resets occur.

1.4.11 D_{IN}

This pin functions as the serial data input to the SPI.

1.4.12 $\overline{\text{CAP/HOLD}}$

When this input pin is low, the SPI acceleration result registers are updated by the DSP whenever a data sample becomes available. Upon a low-to-high transition of $\overline{\text{CAP/HOLD}}$, the contents of the acceleration result registers are frozen. The result registers will not be updated so long as this pin remains at a logic '1' level. This pin may be tied directly to V_{SS} if the hold function is not desired.

1.4.13 $X_{\text{OUT}}, Y_{\text{OUT}}$

Two Digital-to-Analog Converters (DACs) translate output of the DSP block into voltage levels proportional to the magnitude of the numerical result and ratiometric to V_{CC} . The DAC outputs have an inherent accuracy of about $\pm 12\%$.

1.5 EXTERNAL COMPONENTS

The connections illustrated below are recommended. Careful printed wiring board layout and component placement is essential for best performance. Low ESR capacitors must be connected to C_{REG} and C_{REGA} pins for the best performance. A grounded land area with solder mask should be placed under the package for improved shielding of the device from external effects. If a land area is not provided, no signals should be routed beneath the package. See [Figure 1-1](#).

SECTION 2 PERFORMANCE SPECIFICATION

2.1 MAXIMUM RATINGS

Maximum ratings are the extreme limits to which the device can be exposed without permanently damaging it. The device contains circuitry to protect the inputs against damage from high static voltages; however, do not apply voltages higher than those shown in the table below. Keep input and output voltages within the range $V_{SS} \leq V \leq V_{CC}$.

Ref	Rating	Symbol	Value	Unit	
1	Supply Voltage	V_{CC}	-0.3 to +7	V	(1)
2	C_{REG} , C_{REGA} , C_{REF}	V_{REG}	-0.3 to +3	V	(1)
3	V_{PP}	V_{REG}	-0.3 to +11	V	(1)
4	$SCLK$, \overline{CS} , D_{IN} , $\overline{CAP/HOLD}$	V_{IN}	-0.3 to $V_{CC} + 0.3$	V	(1)
5	D_{OUT} (high impedance state)	V_{IN}	-0.3 to $V_{CC} + 0.3$	V	(1)
6	Current Drain per Pin Excluding V_{CC} and V_{SS}	I	10	mA	(1)
7	Acceleration (without hitting internal g-cell stops)	g_{max}	± 800	g	(1)
8	Powered Shock (six sides, 0.5 ms duration)	g_{pms}	± 1500	g	(1)
9	Unpowered Shock (six sides, 0.5 ms duration)	g_{shock}	± 2000	g	(1)
10	Drop Shock (to concrete surface)	h_{DROP}	1.2	m	(1)
11	Electrostatic Discharge Human Body Model (HBM)	V_{ESD}	± 2000	V	(1)
12	Charge Device Model (CDM)	V_{ESD}	± 500	V	(1)
13	Machine Model (MM)	V_{ESD}	± 200	V	(1)
14	Storage Temperature Range	T_{stg}	-40 to +125	$^{\circ}C$	(1)

Notes:

1. Verified by characterization, not tested in production.

2.2 OPERATING RANGE

The operating ratings are the limits normally expected in the application and define the range of operation.

Ref	Characteristic	Symbol	Min	Typ	Max	Units	
16	Supply Voltage Standard Operating Voltage, 3.3V operating range	V_{CC}	V_L +3.15	+3.3	V_H +3.45	V	(1)
17	Standard Operating Voltage, 5V operating range	V_{CC}	+4.75	+5.0	+5.25	V	(1)
18	Operating Temperature Range	T_A	T_L -40	—	T_H +105	C	(2)

Notes:

1. Characterized at all values of V_L and V_H . Production test is conducted at typical voltage unless otherwise noted.
2. Parameters tested 100% at final test.

2.3 ELECTRICAL CHARACTERISTICS

$V_L \leq (V_{CC} - V_{SS}) \leq V_H$, $T_L \leq T_A \leq T_H$, $|\Delta T_A| < 4$ K/min unless otherwise specified

Ref	Characteristic	Symbol	Min	Typ	Max	Units	
19	Supply Current Drain $V_{CC} = 5.25$ V, $t_S = 16$ μ s	# I_{DD}	—	—	9.5	mA	(2)
20	Power-On Recovery Threshold (See Figure 2-1) V_{CC}	V_{POR_N}	2.77	—	3.15	V	(2)
21	C_{REG}	V_{POR_N}	1.80	—	2.32	V	(2)
22	C_{REGA}	V_{POR_N}	2.18	—	2.50	V	(2)
23	C_{REF}	V_{POR_N}	1.11	—	1.29	V	(2)
24	Power-On Reset Threshold (See Figure 2-1) V_{CC}	V_{POR_A}	2.77	—	2.95	V	(2)
25	C_{REG}	V_{POR_A}	1.80	—	2.10	V	(2)
26	C_{REGA}	V_{POR_A}	2.18	—	2.31	V	(2)
27	C_{REF}	V_{POR_A}	1.11	—	1.19	V	(2)
28	Hysteresis ($V_{POR_N} - V_{POR_A}$, See Figure 2-1) V_{CC}	V_{HYST}	0	—	388	mV	
29	C_{REG}	V_{HYST}	0	—	300	mV	
30	C_{REGA}	V_{HYST}	0	—	261	mV	
31	C_{REF}	V_{HYST}	0	—	150	mV	
32	Minimum Functional Voltage (See Figure 2-1)	V_{DACU}	—	—	2.0	V	(2)
33	Internally Regulated Voltages C_{REG}	V_{DD}	2.42	2.50	2.58	V	(1)
34	C_{REGA} (3)	* $V_{2.5}$	2.42	2.50	2.58	V	(1)
35	C_{REF}	* V_{REF}	1.20	1.25	1.29	V	(1)
36	External Filter Capacitor (C_{REG} , C_{REGA}) Value	C_{REG}	800	1000	—	nF	(2)
37	ESR (including interconnect resistance)	ESR	—	—	200	m Ω	(2)
38	Power Supply Coupling (4) Digital output		—	—	0.004	digit/mv	(2)
39	Analog output		See Figure 2-2				(2)
40	Digital Sensitivity (D_{OUT}) 20 g Range	* SENS	—	0.04097	—	g/digit	(1)(5)
41	35 g Range	* SENS	—	0.0717	—	g/digit	(1)(5)
42	50 g Range	* SENS	—	0.1024	—	g/digit	(1)(5)
43	100 g Range	* SENS	—	0.2048	—	g/digit	(1)(5)
44	Sensitivity Error $T_A = 25^\circ\text{C}$	* Δ SENS	-4	—	+4	%	(1)(5)
45	$-40^\circ\text{C} \leq T_A \leq 105^\circ\text{C}$	* Δ SENS	-4	—	+4	%	(1)(5)

Notes:

- Parameters tested 100% at final test.
 - Verified by characterization, not tested in production.
 - Tested at $V_{CC} = V_L$ and $V_{CC} = V_H$.
 - Power supply ripple at frequencies greater than 900 kHz should be minimized to the greatest extent possible.
 - Devices are trimmed at 100 Hz with 1000 Hz low pass filter selected.
- (#) Indicates a FSL significant parameter (CPK > 1.33).
 (*) Indicates a FSL critical parameter (CPK > 1.67).

2.3 ELECTRICAL CHARACTERISTICS (CONTINUED)

$V_L \leq (V_{CC} - V_{SS}) \leq V_H$, $T_L \leq T_A \leq T_H$, $|\Delta T_A| < 4$ K/min unless otherwise specified

Ref	Characteristic	Symbol	Min	Typ	Max	Units	
46	Analog Sensitivity (X_{OUT} , Y_{OUT}) 20 g Range	* ASENS	—	23.4	—	mV/V/g	(1)
47	35 g Range	* ASENS	—	13.40	—	mV/V/g	(1)
48	50 g Range	* ASENS	—	9.37	—	mV/V/g	(1)
49	100 g Range	* ASENS	—	4.68	—	mV/V/g	(1)
50	Sensitivity Error $T_A = 25^\circ\text{C}$	* ΔSENS	-16	—	+16	%	(1)
51	$-40^\circ\text{C} \leq T_A \leq 105^\circ\text{C}$	* ΔSENS	-16	—	+16	%	(1)
52	Offset at 0 g (High-pass filter disabled) 10-bits, signed	* D_{OUT}	-40	0	+40	digit	(1)
53	Analog output trimmed for digital operation	* A_{OUT}	$0.44 \times V_{CC}$	$0.5 \times V_{CC}$	$0.56 \times V_{CC}$	V	(1)
54	Range of Output (D_{OUT} , 10 bits, signed) Normal	RANGE	-509	—	508	digit	(5)
55	Positive Acceleration Overflow Code	OF_S	—	510	—	digit	(5)
56	Positive Acceleration Overrange Code	OR_S	—	509	—	digit	(5)
57	Negative Acceleration Underrange Code	UR_S	—	-510	—	digit	(5)
58	Negative Acceleration Underflow Code	UF_S	—	-511	—	digit	(5)
59	Unused Code	UNUSED	—	511	—	digit	(5)
60	Unused Code	UNUSED	—	-512	—	digit	(5)
61	Output value on overrange 20 g Range	g_{OVER}	+20.0	+20.9	+22.1	g	(2)
62	35 g Range	g_{OVER}	+35.0	+36.6	+38.7	g	
63	50 g Range	g_{OVER}	+50.0	+52.1	+55.3	g	(2)
64	100 g Range	g_{OVER}	+100.1	+104.3	+110.5	g	
65	Output value on underrange 20 g Range	g_{UNDER}	-20.1	-20.9	-22.2	g	
66	35 g Range	g_{UNDER}	-35.1	-36.6	-38.8	g	
67	50 g Range	g_{UNDER}	-50.0	-52.2	-55.4	g	
68	100 g Range	g_{UNDER}	-100.1	-104.5	-110.7	g	
69	Maximum acceleration without saturation of internal circuitry All ranges	g_{SAT}	-200	—	+200	g	(2)
70	Nonlinearity	NL_{OUT}	-1	—	1	% FSR	(2)
71	Noise (1Hz-1kHz)	n_{SD}	—	—	1.1	mg/ $\sqrt{\text{Hz}}$	(2)
72	Positive Self Test Output Change (D_{OUT} , digital) $T_A = 25^\circ\text{C}$	* ΔST	67	72	77	digit	(1)
73	$-40^\circ\text{C} \leq T_A \leq 105^\circ\text{C}$	* ΔST	62	72	82	digit	(1)
74	(X_{OUT} , Y_{OUT} , analog) $T_A = 25^\circ\text{C}$	* ΔST	10	—	18	% FS	(1)
75	$-40^\circ\text{C} \leq T_A \leq 105^\circ\text{C}$	* ΔST	10	—	18	% FS	(1)

Notes:

- Parameters tested 100% at final test.
 - Verified by characterization, not tested in production.
 5. Functionality verified 100% via scan.
- (*) Indicates a FSL critical parameter (CPK > 1.67).

2.3 ELECTRICAL CHARACTERISTICS (CONTINUED)

$V_L \leq (V_{CC} - V_{SS}) \leq V_H$, $T_L \leq T_A \leq T_H$, $|\Delta T_A| < 4$ K/min unless otherwise specified

Ref	Characteristic	Symbol	Min	Typ	Max	Units	
76	Negative Self Test Output Change (D_{OUT} , digital) $T_A = 25^\circ\text{C}$	ΔST	-78	-72	-66	digit	(6)
77	$-40^\circ\text{C} \leq T_A \leq 105^\circ\text{C}$	ΔST	-82	-72	-62	digit	(6)
78	(X_{OUT} , Y_{OUT} , analog) $T_A = 25^\circ\text{C}$	ΔST	-18	—	-10	% FS	(6)
79	$-40^\circ\text{C} \leq T_A \leq 105^\circ\text{C}$	ΔST	-18	—	-10	% FS	(6)
80	Cross-Axis Sensitivity V_{ZX}	V_{ZX}	-4	—	+4	%	(6)
81	V_{YX}	V_{YX}	-4	—	+4	%	(6)
82	V_{ZY}	V_{ZY}	-4	—	+4	%	(6)
83	V_{XY}	V_{XY}	-4	—	+4	%	(6)
84	DAC Characteristics (X_{OUT} , Y_{OUT}) Minimum Output Level, $I_{OUT} = -200 \mu\text{A}$	AV_{LOW}	—	—	0.25	V	(2)
85	Maximum Output Level, $I_{OUT} = 200 \mu\text{A}$	AV_{HIGH}	$V_{CC} - 0.25$	—	—	V	(2)
86	Offset Error	OFST	-0.2	—	+0.2	%FSR	(2)
87	Gain Error	GERR	-0.3	—	+0.3	%FSR	(2)
88	Differential Nonlinearity Integral Nonlinearity	DNL	-2	—	+2	digit	(2)
89	$T_A = 25^\circ\text{C}$	INL	-3	—	+3	digit	(2)
90	$-40^\circ\text{C} \leq T_A \leq 105^\circ\text{C}$	INL	-3.5	—	+3.5	digit	(6)
91	Output High Voltage D_{OUT} ($I_{Load} = -100 \mu\text{A}$) $3.15 \text{ V} \leq (V_{CC} - V_{SS}) \leq 3.45 \text{ V}$	V_{OH}	3.25	—	—	V	(2)
92	$4.75 \text{ V} \leq (V_{CC} - V_{SS}) \leq 5.25 \text{ V}$	V_{OH}	3.75	—	—	V	(2)
93	Output Low Voltage D_{OUT} , ($I_{Load} = 100 \mu\text{A}$) $3.15 \text{ V} \leq (V_{CC} - V_{SS}) \leq 3.45 \text{ V}$	V_{OL}	—	—	0.4	V	(2)
94	$4.75 \text{ V} \leq (V_{CC} - V_{SS}) \leq 5.25 \text{ V}$	V_{OL}	—	—	0.4	V	(2)
95	Output Loading (D_{OUT}) Load Resistance	Z_{OUT}	47	—	—	k Ω	(6)
96	Load Capacitance	C_{OUT}	—	—	35	pF	(6)
97	Output Loading (X_{OUT} , Y_{OUT}) Load Resistance	Z_{OUT}	25	—	—	k Ω	(6)
98	Load Capacitance	C_{OUT}	—	—	60	pF	(6)
99	Input High Voltage CS/RESET, SCLK, D_{IN}/ST , $\overline{\text{CAP}}/\text{HOLD}$ $3.15 \text{ V} \leq (V_{CC} - V_{SS}) \leq 3.45 \text{ V}$	V_{IH}	1.5	—	—	V	(2)
100	$4.75 \text{ V} \leq (V_{CC} - V_{SS}) \leq 5.25 \text{ V}$	V_{IH}	2.5	—	—	V	(2)
101	Input Low Voltage CS/RESET, SCLK, D_{IN}/ST , $\overline{\text{CAP}}/\text{HOLD}$ $3.15 \text{ V} \leq (V_{CC} - V_{SS}) \leq 3.45 \text{ V}$	V_{IL}	—	—	0.85	V	(2)
102	$4.75 \text{ V} \leq (V_{CC} - V_{SS}) \leq 5.25 \text{ V}$	V_{IL}	—	—	1.0	V	(2)
103	Input Current High (at V_{IH}) SCLK, D_{IN} , $\overline{\text{CAP}}/\text{HOLD}$	I_{IH}	-30	-50	-260	μA	(2)
104	V_{PP}/TEST (internal pulldown resistor)	R_{IN}	190	270	350	k Ω	(2)
105	Low (at V_{IL}) CS/RESET	I_{IL}	30	50	260	μA	(2)

Notes:

- Parameters tested 100% at final test.
- Verified by characterization, not tested in production.
- Parameters tested 100% at unit probe.

2.4 CONTROL TIMING

$V_L \leq (V_{CC} - V_{SS}) \leq V_H$, $T_L \leq T_A \leq T_H$, $|\Delta T_A| < 4$ K/min unless otherwise specified

Ref	Characteristic	Symbol	Min	Typ	Max	Units	
106	DSP Low-Pass Filter (5) Cutoff frequency (6)		380	400	420	Hz	(1)
107	DSP Low-Pass Filter Cutoff frequency (-3dB, referenced to 0 Hz)		335	353	371	Hz	(1)
108	DSP High-Pass Filter Cutoff frequency	$f_{C(HPF)}$	0.095	0.1	0.105	Hz	(1)
109	Filter Order	O_{HPF}	—	1	—	1	(1)
110	Power-On Recovery Time POR negated to CS low	t_{OP}	—	—	840	μ s	(1)
111	Power applied to X_{OUT} , Y_{OUT} valid	t_{XY}	—	—	10	ms	(2)
112	Internal Oscillator Frequency	f_{OSC}	3.8	4.0	4.2	MHz	(3)
113	Clock Monitor Threshold	f_{MON}	3.6	—	4.4	MHz	(1)
114	Chip Select to Internal Reset (See Figure 2-3)	t_{CSRES}	486	512	538	μ s	(1)
	Serial Interface Timing (See Figure 2-4)						
115	Clock period	t_{SCLK}	120	—	—	ns	(1)
116	CS asserted to SCLK high	t_{CSCLK}	60	—	—	ns	(1)
117	Data setup time	t_{DC}	20	—	—	ns	(1)
118	Data hold time	t_{CDIN}	10	—	—	ns	(1)
119	SCLK low to data out	t_{CDOUT}	—	—	50	ns	(1)
120	SCLK high to CS negated	t_{CHCSH}	60	—	—	ns	(1)
121	CS negated to CS asserted	t_{CSN}	526	—	—	ns	(1)
122	DAC Low-Pass Filter Cutoff Frequency	f_C	5	10	20	kHz	(4)
123	Sensing Element Rolloff Frequency (-3 dB)	BW_{GCELL}	—	3	—	kHz	(2)

Notes:

1. Functionality verified 100% via scan. Timing characteristic is directly determined by internal oscillator frequency.
2. Verified by characterization, not tested in production.
3. Parameters tested 100% at final test.
4. Parameters tested 100% at unit probe.
5. Devices are trimmed at 100 Hz with 1000 Hz low-pass filter option selected.
6. Cutoff frequencies shown are -4dB referenced to 0 Hz response, to correspond with previous specifications.

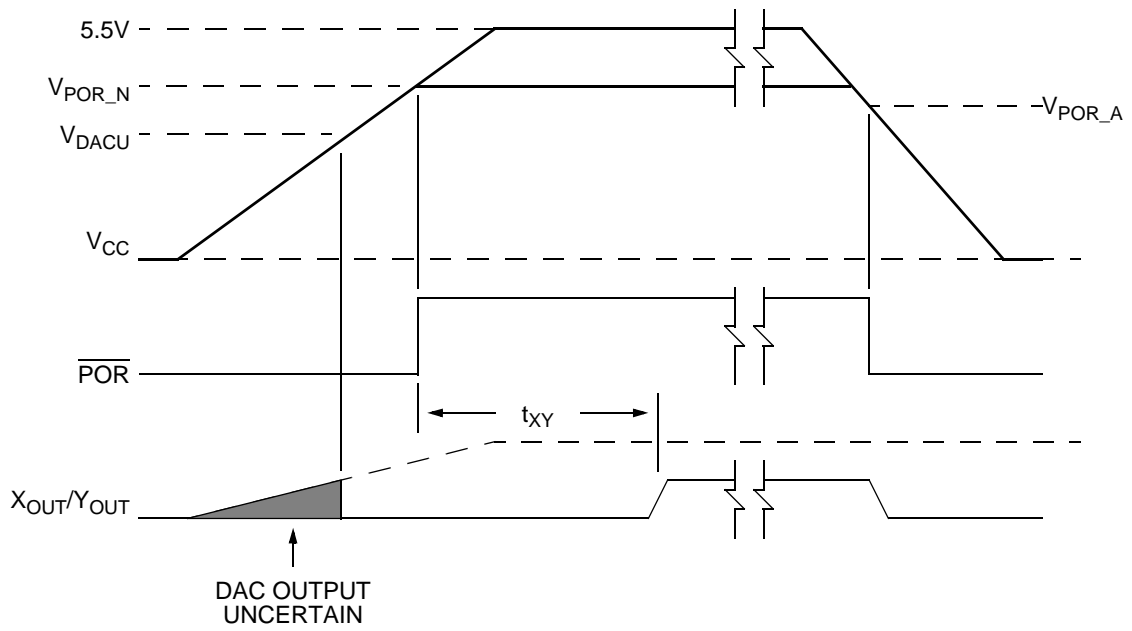


Figure 2-1 Power-Up Timing

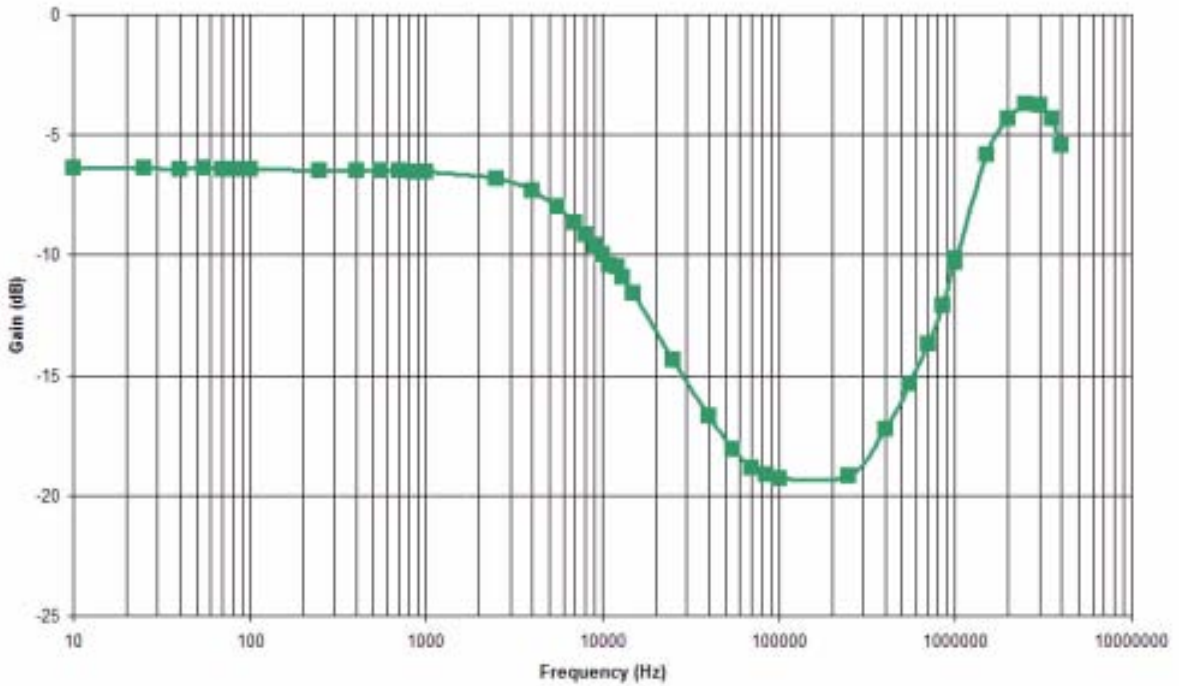


Figure 2-2 Power Supply Coupling - DAC Outputs

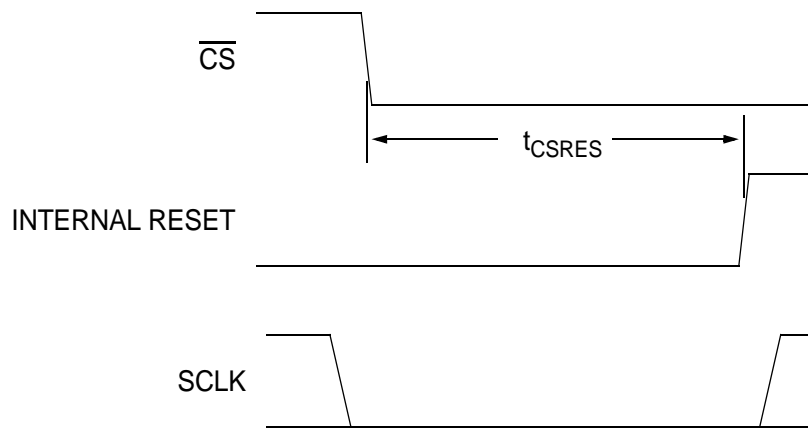


Figure 2-3 \overline{CS} Reset Timing

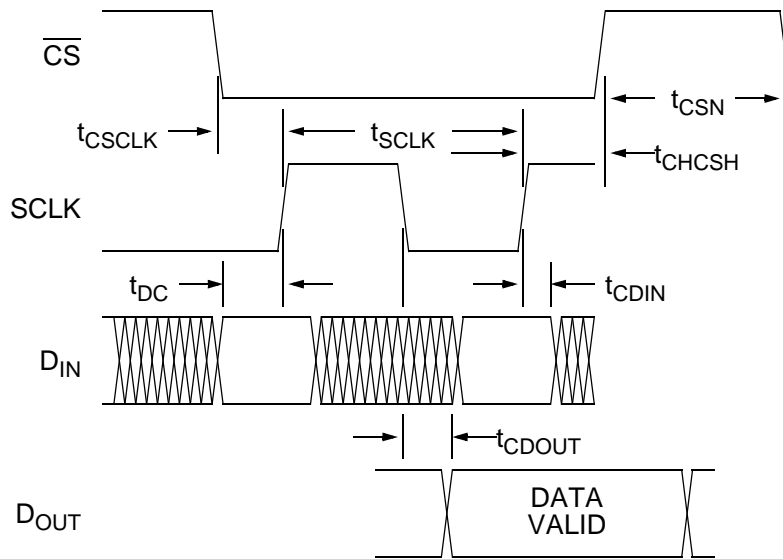


Figure 2-4 Serial Interface Timing

SECTION 3 INTERNAL MODULES

3.1 ONE-TIME PROGRAMMABLE DATA ARRAY

A 400-bit programmable data array allows each device to be customized. The array interface incorporates parity circuitry for fault detection along with a locking mechanism to prevent unintended changes. Portions of the array are reserved for factory-programmed trim values. Customer accessible data stored in the array are shown in the table below.

Addresses \$00 - \$0D are associated with the programmable data array. A writable register at address \$0E is provided for device control operations. Two read-only registers at addresses \$0F and \$10 provide status information.

Unused bits within the data array are always read as '0' values. Unprogrammed OTP bits are also read as '0' values.

Table 3-1 Customer Accessible Data

Location		Bit Function								Type
Address	Register	7	6	5	4	3	2	1	0	
\$00	SN0	SN[7]	SN[6]	SN[5]	SN[4]	SN[3]	SN[2]	SN[1]	SN[0]	F
\$01	SN1	SN[15]	SN[14]	SN[13]	SN[12]	SN[11]	SN[10]	SN[9]	SN[8]	
\$02	SN2	SN[23]	SN[22]	SN[21]	SN[20]	SN[19]	SN[18]	SN[17]	SN[16]	
\$03	SN3	SN[31]	SN[30]	SN[29]	SN[28]	SN[27]	SN[26]	SN[25]	SN[24]	
\$04	DEVCFG0	Factory Programmed								
\$05	DEVCFG1	Factory Programmed								
\$06	DEVCFG2	Factory Programmed								
\$07	DEVCFG3	Factory Programmed								
\$08	DEVCFG4	Factory Programmed								
\$09	DEVCFG5	LOCK2	PAR2	COMP1	COMP0	SPARE	DACEN	AD3	AD2	
\$0A	AXCFG_X	RNG_X[2]	RNG_X[1]	RNG_X[0]	LPF_X[4]	LPF_X[3]	LPF_X[2]	LPF_X[1]	LPF_X[0]	
\$0B	AXCFG_Y	RNG_Y[2]	RNG_Y[1]	RNG_Y[0]	LPF_Y[4]	LPF_Y[3]	LPF_Y[2]	LPF_Y[1]	LPF_Y[0]	
\$0C		Unused								N/A
\$0E	DEVCTL	RES_1	RES_0	CE	Reserved	HPFB	YINV	ST1	ST0	R/W
\$0D	DSPCFG	SPARE	SPARE	INTERP	OVL D	SD	HPFD	HPFSEL	OFMON	F
\$0F	TEMP	TEMP[7]	TEMP[6]	TEMP[5]	TEMP[4]	TEMP[3]	TEMP[2]	TEMP[1]	TEMP[0]	R
\$10	DEVSTAT	IDE	OSCF	DEVINIT	TF	HPF	OFF_Y	OFF_X	DEVRES	
\$11	COUNT	COUNT[7]	COUNT[6]	COUNT[5]	COUNT[4]	COUNT[3]	COUNT[2]	COUNT[1]	COUNT[0]	

Type codes

F: Factory programmed OTP location

R: Read-only register

R/W: Read/write register

N/A: Not applicable

3.1.1 DEVICE CONTROL REGISTER (DEVCTL)

A read-write register at address \$0E supports a number of device control operations as described below. Reserved bits within DEVCTL are always read as logic '0' values.

Table 3-2 Device Control Register

Address	Register	Bit							
		7	6	5	4	3	2	1	0
\$0E	DEVCTL	RES1	RES0	CE	Reserved	HPFB	YINV	ST1	ST0

3.1.1.1 Reset Control (RES_1, RES_0)

A specific series of three write operations involving these two bits will cause the internal digital circuitry to be reset. The state of the remaining bits in the DEVCTL register do not affect the reset sequence, however any write operation involving this register in which both RES_1 and RES_0 are cleared will terminate the sequence.

To reset the internal digital circuitry, the following register write operations must be performed in the order shown:

1. Set RES1. RES0 must remain cleared.
2. Set RES1 and RES0.
3. Clear RES1 and set RES0.

RES1 and RES0 are always read as logic '0' values. After reset sequence has been completed DEVCTL register will read 0X00. It should be noted that after a reset or power-cycle sequence is completed the DEVCTL register reset to the value 0X00.

3.1.1.2 Clear Error (CE)

Setting this bit to a logic '1' state will clear transient error status conditions. It is necessary to either set this bit or perform a device reset if an error condition has been reported by the device before acceleration data transfer can be resumed. The device reset condition may be cleared only after device initialization has completed.

Error conditions and classification are described in [Section 4.2](#).

The state of this bit is always read as logic '0'.

3.1.1.3 High-Pass Filter Bypass (HPFB)

Setting this bit will remove the high-pass filter from the signal chain within the DSP block. The state of this bit is indicated when DEVCTL is read. This bit is always cleared following reset.

The state of the high-pass filter is frozen when this bit is at a logic '1' level.

3.1.1.4 Self-Test Control (ST1, ST0)

Bidirectional self-test control is provided through manipulation of these bits. ST1 controls direction while ST0 enables and disables the self-test circuitry. ST1 and ST0 are always cleared following internal reset. When ST0 is set, the high-pass filter is bypassed and the values within the high-pass filter are frozen. Both axes are affected simultaneously by the state of these bits. If the offset monitor is enabled, self-test activation in a single direction should be limited to less than 30 ms.

The state of the ST0 bit is indicated as part of all acceleration results.

3.1.1.5 Y-Axis Signal Inversion Control (YINV)

This control function is provided as a means to verify operation of the two-channel multiplexor which alternately provides X-axis and Y-axis data to the DSP. An inverter block and multiplexor at the Y-axis input to the DSP are controlled by the YINV bit. Setting this bit when ST0 is set has the effect of changing the sign of acceleration in the Y-axis. Operation of the YINV bit is illustrated in [Figure 3-1](#) below. Y-axis inversion may be selected only during self-test; the state of this bit has no effect when ST0 is cleared.

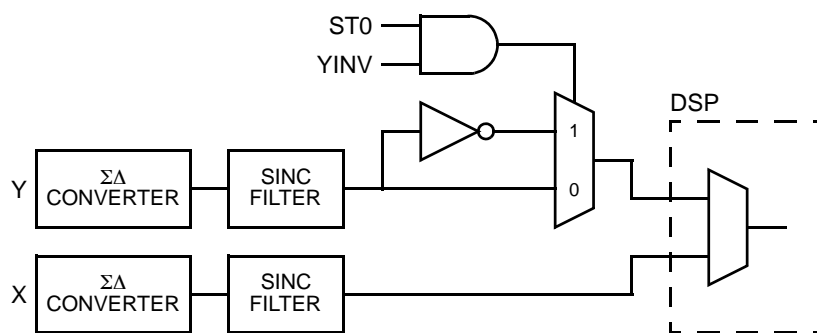


Figure 3-1 Y-Axis Inversion Function

Self-test operations controlled by YINV along with ST1 and ST0 are summarized in the following table.

Table 3-3 Self-Test Control Operations

YINV	ST1	ST0	Self-Test Operation	
			X-Axis	Y-Axis
X	X	0	Self Test Disabled, Y-Axis Signal Inversion Disabled	
0	0	1	Positive Deflection	
0	1	1	Negative Deflection	
1	0	1	Positive Deflection	Negative Deflection
1	1	1	Negative Deflection	Positive Deflection

NOTE:

Offset correction is applied within the DSP, and is not affected by the state of the YINV bit. Consequently, inversion of the Y-axis signal may result in saturation of the Y-axis output value.

Correct operation of the DSP input multiplexor may be confirmed by performing the operations shown in [Figure 3-2](#).

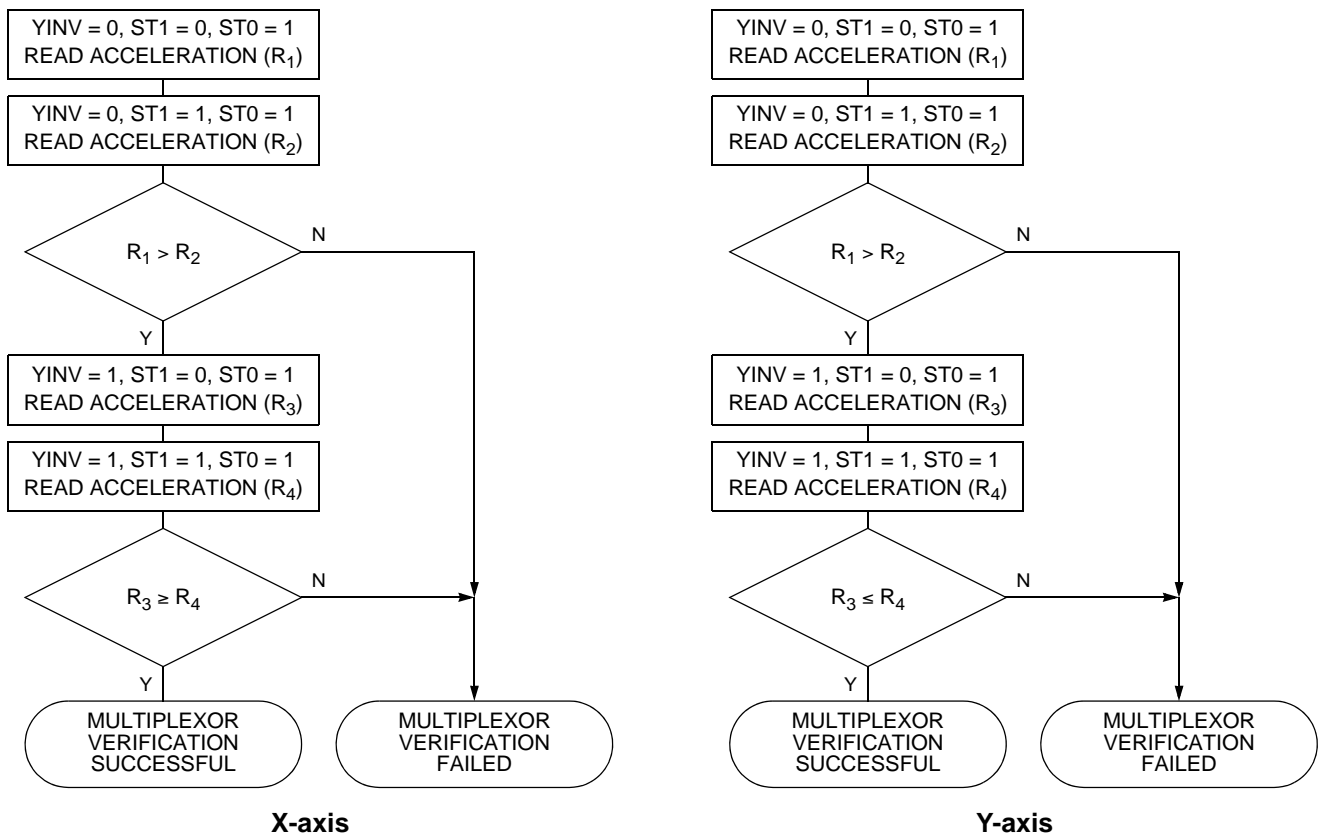


Figure 3-2 DSP Input Multiplexor Verification Flow Chart

3.1.2 Temperature Sensor Value (TEMP)

This read-only register contains a signed value which provides a relative temperature indication. The temperature sensor is uncalibrated and its output for a given temperature will vary from one device to the next. The value in this register increases with temperature.

Table 3-4 Temperature Sensor Value Register

Location		Bit Function							
Address	Register	7	6	5	4	3	2	1	0
\$0F	TEMP	TEMP[7]	TEMP[6]	TEMP[5]	TEMP[4]	TEMP[3]	TEMP[2]	TEMP[1]	TEMP[0]

3.1.3 Device Status Register (DEVSTAT)

This read-only register is accessible in all modes.

Table 3-5 Device Status Register

Location		Bit Function							
Address	Register	7	6	5	4	3	2	1	0
\$10	DEVSTAT	IDE	OSCF	DEVINIT	TF	HPF	OFF_Y	OFF_X	DEVRES

3.1.3.1 Internal Data Error Flag (IDE)

This flag will be set if a register data parity fault or a marginally programmed fuse is detected. Device reset is required to clear this fault condition. If a parity error is associated with the data stored in the fuse array, this fault condition cannot be cleared. This flag is disabled when the device is in test mode.

3.1.3.2 Oscillator Fault Flag (OCSF)

This flag will be set if the primary oscillator and reference oscillator frequencies vary by an amount greater than the specified tolerance. In normal operating mode, an oscillator fault condition will result in D_{OUT} being driven high when \overline{CS} is asserted.

3.1.3.3 Device Initialization Flag (DEVINIT)

This flag is set during the interval between negation of internal reset and completion of device initialization. DEVINIT is cleared automatically.

3.1.3.4 Temperature Fault Flag (TF)

This flag is set if the value reported by the on-chip temperature sensor exceeds specified limits. TF may be cleared by writing a logic '1' value to the CE bit in DEVCTL, provided that the fault condition is no longer detected.

3.1.3.5 High-Pass Filter Status (HPF)

This bit is set when a high-pass filter is present in the DSP signal chain when the HPFB bit has been set.

3.1.3.6 Y-Axis Offset Error Flag (OFF_Y)

3.1.3.7 X-Axis Offset Error Flag (OFF_X)

The offset error flags are set if the associated signal reaches the specified offset limit. These flags may be cleared by writing a logic '1' value to the CE bit in DEVCTL. Offset faults are not reported for 1.5 seconds following reset.

3.1.3.8 Device Reset Flag (DEVRES)

This flag is set during device initialization. A logic '1' must be written to the CE bit in the Device Control register (DEVCTL) to clear this bit.

3.1.4 Counter Register (COUNT)

This read-only register provides the value of a free-running 8-bit counter derived from the primary oscillator. A five-bit prescaler divides the 4 MHz primary oscillator frequency by 32. Thus, the value in the register increases by one count every 8 μ s, and the counter rolls over every 2.048 ms.

Table 3-6 Counter Register

Location		Bit Function							
Address	Register	7	6	5	4	3	2	1	0
\$11	COUNT	COUNT[7]	COUNT[6]	COUNT[5]	COUNT[4]	COUNT[3]	COUNT[2]	COUNT[1]	COUNT[0]

SECTION 4 SERIAL COMMUNICATIONS

Digital data communication with MMA62XXKEG is completed through synchronous serial transfers via the SPI port. Conventional SPI protocol is employed, with MMA62XXKEG acting as a slave device observing CPOL = 0, CPHA = 0, MSB first. A number of data integrity features are incorporated into the transfer protocol.

4.1 SPI PROTOCOL

4.1.1 Overview

Each transfer is completed through a sequence of two operations, termed phases. During the first phase, the type of transfer and associated control information is transmitted from the SPI master to MMA62XXKEG. Data from MMA62XXKEG is transmitted during the second phase. Single-level queuing is employed as illustrated in Figure 4-1.

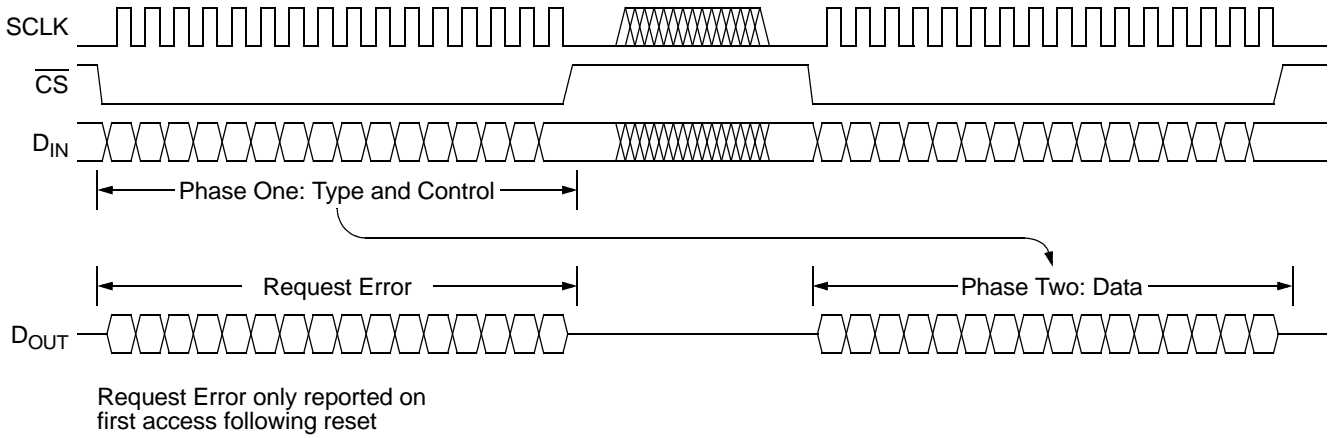


Figure 4-1 Transfer Phase Detail

Any activity on DIN or SCLK is ignored when CS is negated. Consequently, intermediate transfers involving other SPI devices may occur between Phase One and Phase Two.

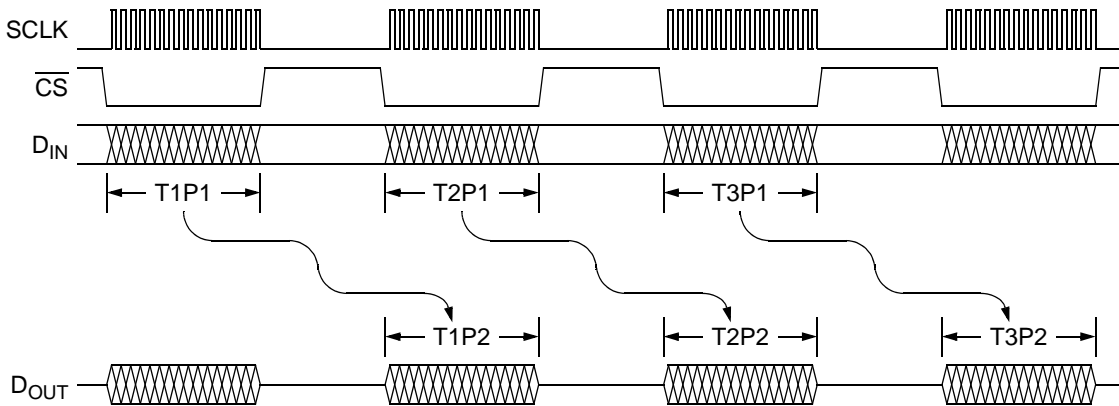


Figure 4-2 Single-Level Communications Queuing Detail

The first data transmitted by MMA62XXKEG following reset is the Request Error message shown below. This occurs because MMA62XXKEG transmits during Phase Two and there is no corresponding Phase One for the first transfer.

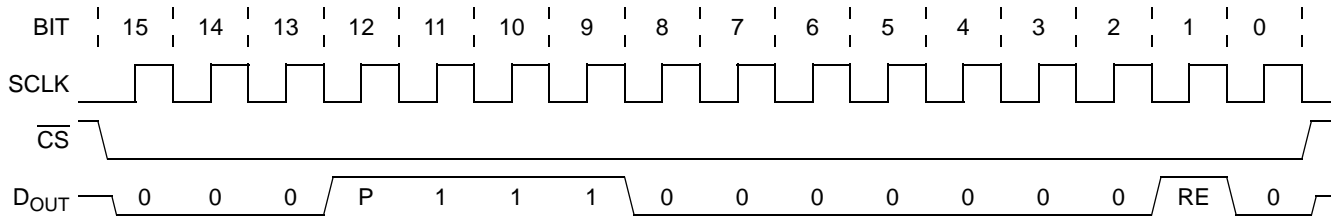


Figure 4-3 Request Error Frame

4.1.2 Command Format

The following abbreviations are used in the following figures.

Bit Name	Description	Bit Address	
		D _{IN}	D _{OUT}
A[4:0]	Register address	12:8	12:8
D[9:0]	10-bit acceleration data	N/A	9:0
Acc	Acceleration data indicator	13	13
AXIS	Axis specifier	14	14
P	Parity	N/A	12
S[1:0]	Status	N/A	11:10

Commands are transferred from the SPI master to MMA62XXKEG. Commands fall into three categories: acceleration data requests, register operations and device test. Acceleration data requests are initiated when bit 13 from the master is set to a logic '1' state. Register operations and device test are when bit 13 is set to logic '0' and are further distinguished by the states of bits 15 and 14.

4.1.3 Acceleration Data Transfers

Acceleration data requests are initiated when bit 15 from the master is set to a logic '0' state and bit 13 is set to a logic '1' state. The axis associated with the acceleration to be transferred is determined by D_{IN} bit 14.

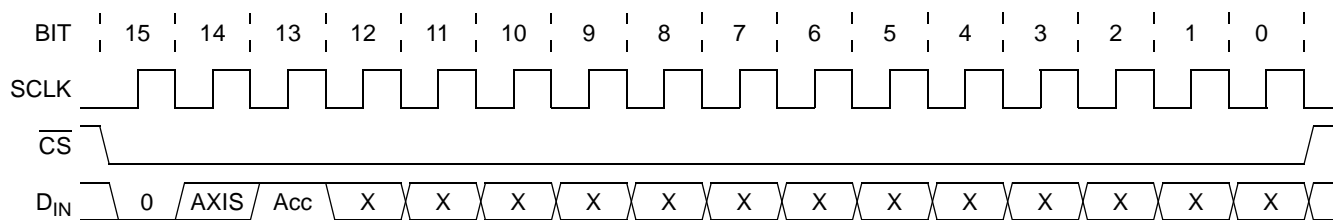


Figure 4-4 Acceleration Command Format

Acceleration data is returned as illustrated below. In addition to the acceleration value, the axis associated with the measurement is indicated in bit 13, while bits 11 and 10 provide status information.

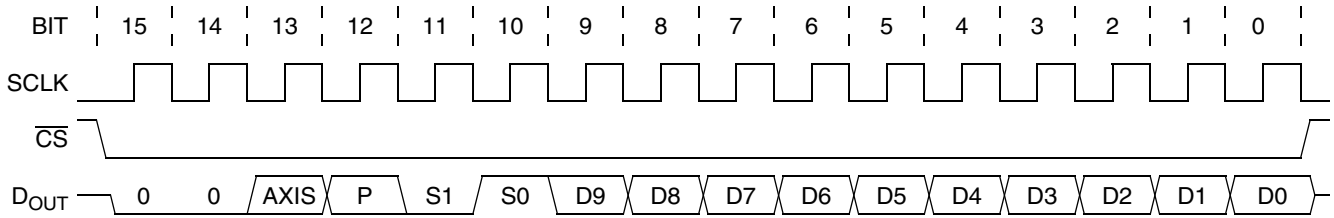


Figure 4-5 Acceleration Command Response

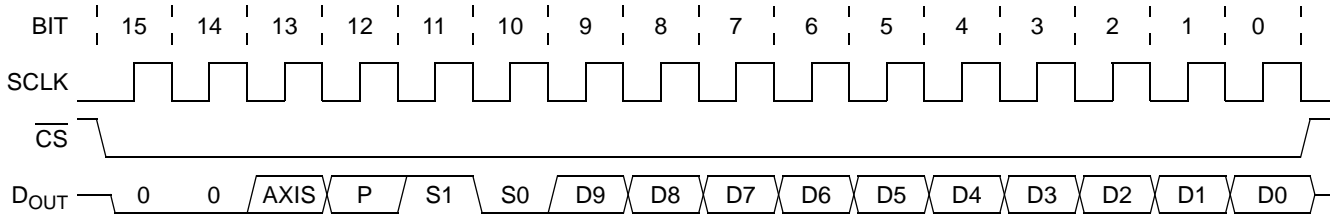


Figure 4-6 Acceleration Command Response, Self-Test Active

4.1.4 AXIS Bit

Bit 13 indicates the axis associated with acceleration data, as shown below.

Table 4-1 AXIS Bit Definitions

AXIS	Selected Axis
0	X
1	Y

4.1.5 Status Bits

Data bits 11 and 10 convey additional information regarding the acceleration data being transmitted. If an error condition is indicated, bits D9 through D0 contain flags which further describe the nature of the error.

Table 4-2 STATUS Bit Definitions

Status Bit		Definition
S1	S0	
0	0	Not Applicable
0	1	Acceleration Data
1	0	Self-test Data
1	1	Error

The combination S1 = 0, S0 = 0 is never transmitted by MMA62XXKEG in response to an acceleration data command.

4.1.6 Acceleration Response Error Status

Several error conditions may be detected and reported in response to an acceleration data command.

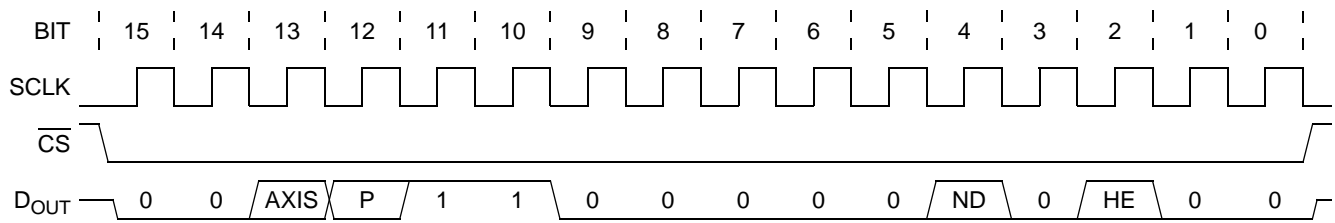


Figure 4-7 ND/HE Error Frame

4.1.6.1 ND - No Data Available

Bit 4 will be set to indicate a “No Data” condition if acceleration data is requested while the device is undergoing device initialization following reset. To ensure that an unexpected device reset will always be detectable regardless of the interval at which the sensor is accessed, “No Data” status will be returned in response to the first acceleration data request following device initialization.

4.1.6.2 HE - Hardware Error

A fault has been detected within the MMA62XXKEG device. Detectable fault conditions are listed below

- Device over-temperature
- Offset error
- Internal parity error

Specific error conditions are indicated in the device status register. The contents of this register are returned in response to a device test operation, as described in Section 4.1.10. Oscillator fault status will be reported only if the internal oscillator is functional but frequency comparison between the primary and reference oscillators fails. If an oscillator fault condition exists, the device will respond as described in Section 4.2.2.2.

4.1.6.3 CNC - Conditions Not Correct

Acceleration data will not be provided when bit 15 of command is detected as logic ‘1’. The response to such requests is illustrated below. Should a No Data Available or Hardware Error condition also exist, it will be reported as well.

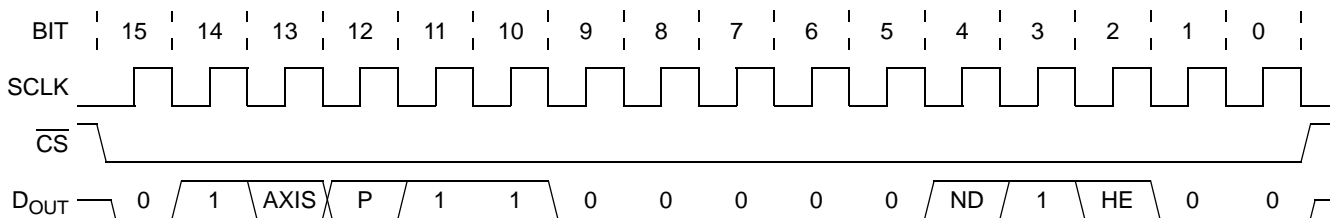


Figure 4-8 CNC Error Frame

4.1.7 Non-Acceleration Transfers

Three different types of non-acceleration transfers are supported; register write, register read and device test. Non-acceleration data transfers are initiated when bit 13 from the master is set to a logic ‘0’ state. The operation to be performed is indicated by bits 15 and 14.

Table 4-3 Non-Acceleration Operations

Bit 15	Bit 14	Operation
0	0	Unused
0	1	Register Write
1	0	Register Read
1	1	Device Test

Non-acceleration transfers will always succeed except in the case of oscillator fault, SPI error or request error conditions. Only oscillator failure, SPI error or request error conditions are reported in response to non-acceleration commands. Other error conditions are reported as hardware errors in response to acceleration data requests.

4.1.8 Register Write Operations

Register write operations are initiated when bits 15 and 13 from the master is set to a logic '0' and bit 14 is set to a logic '1'. Bits 12 through 8 contain a five-bit address, while the last eight bits contain the data value to be written. Only the DEVCTL register is writable. If an attempt is made to write to any register other than DEVCTL, a request error response (see Figure 4-15) will occur.

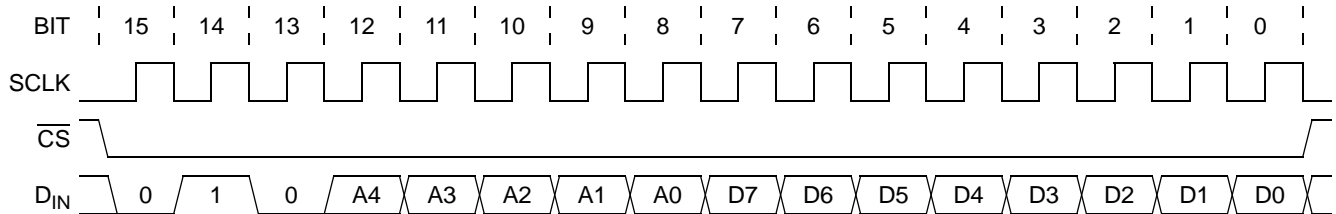


Figure 4-9 Register Write Command

Response to a register write operation is illustrated below. DEVCTL bits which can be read as logic '1' (HPFB, ST1 and ST0) will be indicated during the last eight clock cycles, as shown.

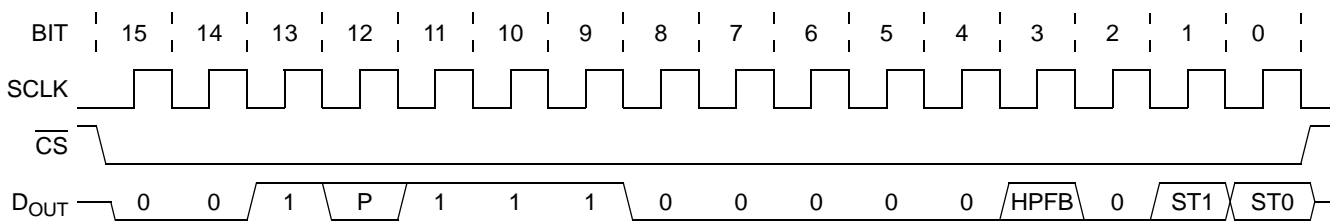


Figure 4-10 Register Write Command Response

4.1.9 Register Read Operations

Register read operations are initiated when bit 15 from the master is set to a logic '1' state and bits 14 and 13 are driven to a logic low level. The address of the register to be accessed is contained in bits 12 through 8. D_{IN} bits 7 through 0 are ignored by MMA62XXKEG during register read command transfers.

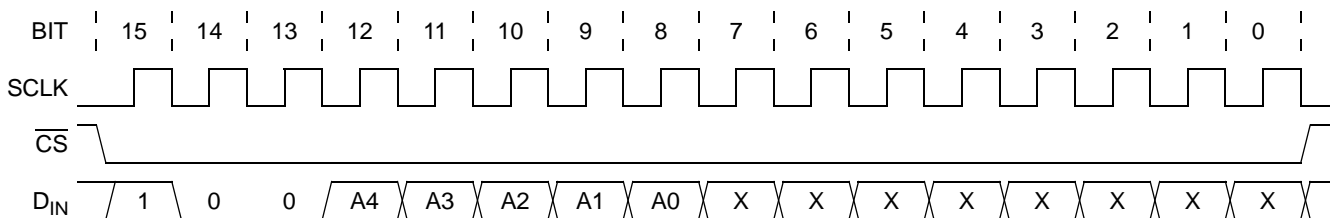


Figure 4-11 Register Read Command

Data read from the selected register is returned in bits 7 through 0, as shown below.

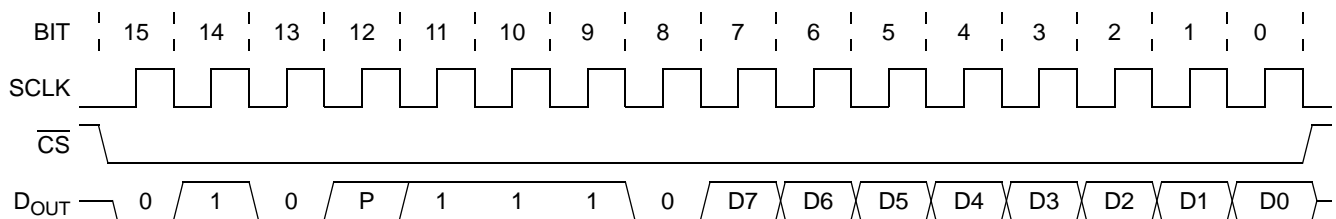


Figure 4-12 Register Read Command Response

4.1.10 Device Test Operation

A device test operation is conducted when D_{IN} bits 15 and 14 are at a logic high level and bit 13 is driven to a logic low level.

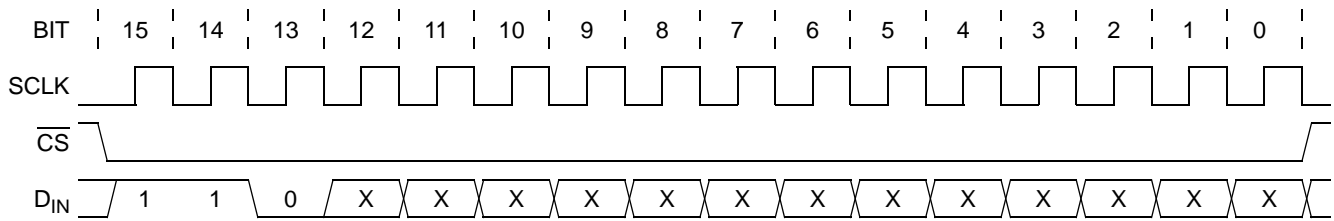


Figure 4-13 Device Test Command

The content of the device status register are transmitted in bits D7 through D0 in response to a device test operation. Refer to [Section 3.1.3](#) for details regarding the device status register

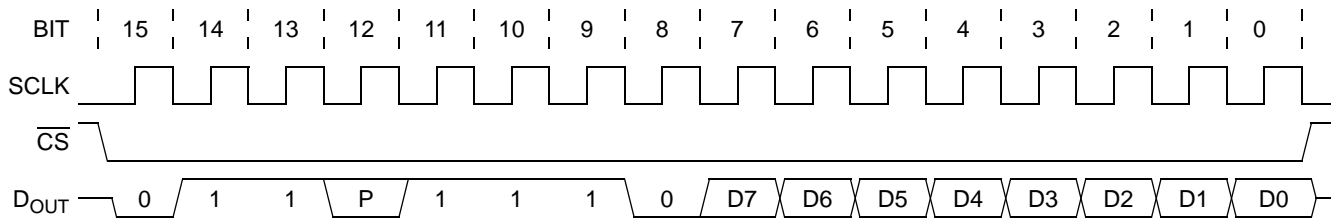


Figure 4-14 Device Test Command Response

Status register bit 0 is set following any device reset. This bit will remain set until explicitly cleared by writing the CE bit in the device control register, as described in [Section 3.1.1](#).

4.1.11 Non-Acceleration Request Error

An error condition is indicated if a non-acceleration command is detected and D_{IN} bits 15 and 14 are both zero, as no operation is specified for this combination.

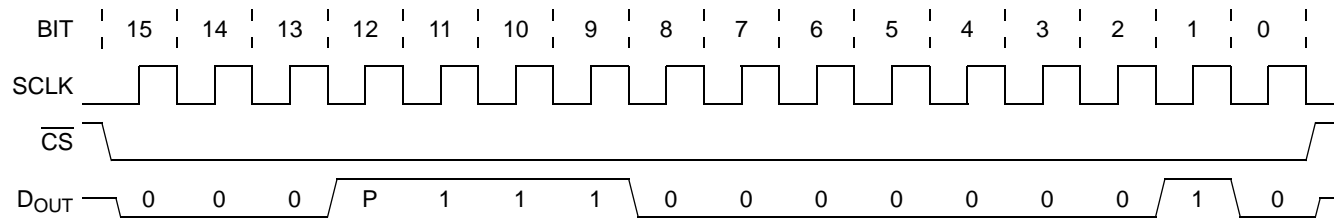


Figure 4-15 Non-Acceleration Request Error

4.1.12 SPI Error Response

The following conditions detected at D_{IN} will result in a SPI error. Since the error condition likely indicate a corrupted transfer, the response frame is the same regardless of the state of bit 13 at D_{IN} .

- SCLK high when \overline{CS} asserted
- Fewer than 16 rising edges of SCLK detected while \overline{CS} is asserted
- Greater than 16 rising edges of SCLK detected while \overline{CS} is asserted
- SCLK high when \overline{CS} negated

The response to a SPI error condition is shown below.

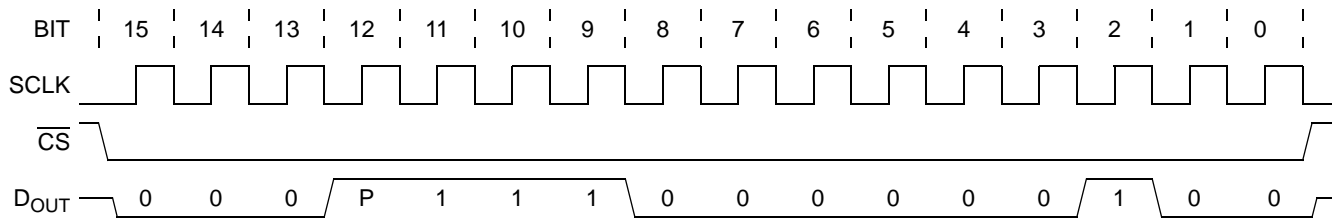


Figure 4-16 SPI Error Response

4.1.13 Initial Response

During initialization phase one, the device does not respond to SPI access attempts. During the second initialization phase, register operations complete normally, however the device will respond to sensor data requests with No Data (ND) status. The first acceleration request following completion of device initialization will also result in a No Data response. This ensures that an unexpected reset will always be detectable, even in systems which poll the device at longer intervals than required for device initialization.

4.2 ERROR CONDITIONS

A number of error conditions may be detected. If an error condition is detected, MMA62XXKEG will always transmit an error indicator in place of acceleration data. Error indicators are defined in the following sections.

4.2.1 Error Condition Classification

Error conditions fall into five classes, as described below.

4.2.1.1 Critical Errors

Error condition affects device operation. Critical errors are always reported regardless of other error conditions which may be detected.

4.2.1.2 Initialization

Initialization is a special case condition which occurs after reset until internal circuitry is ready to provide accurate acceleration results. The duration of the initialization period depends upon whether a high-pass filter has been selected or not. If no high-pass filter has been selected, initialization requires approximately 3 ms after power-up. If a high-pass filter has been selected, an additional 200 ms is required. During the device initialization period, this status is reported in response to any acceleration data request, however normal register access operations may be performed.

Device initialization status is cleared automatically.

4.2.1.3 Reset

Reset is also a special case condition. Reset will occur at power-on, as the result of a temporary undervoltage condition, or in response to explicit actions taken by the controller. Upon negation of the internal reset signal, the DEVRES flag in the device status (DEVSTAT) register is set. Because it is critically important that the system can detect any unintended reset condition, this flag may only be cleared by writing a logic '1' to the CE bit in the device control register (DEVCTL) after device initialization has completed.

4.2.1.4 Transient Errors

An error condition which may be the result of a condition which precludes an accurate acceleration measurement but which may not persist. Transient errors are reported in response to acceleration data transfer requests. If a transient error condition has been detected, a logic '1' may be written to the clear error (CE) bit in the device control (DEVCTL) register to clear the associated flag. Should the error condition still exist, the flag will only be cleared momentarily.

4.2.1.5 External Errors

An error condition resulting from an invalid command input or corrupted data transfer. External errors are reported only once. Errors are prioritized as shown in the table. In the event that multiple error conditions are detected, the highest priority error will be reported.

4.2.2 Error Definitions

4.2.2.1 Internal Data Error

Class: Critical error

A parity fault has been detected in the internal data registers. In the event of a soft error (bit-flip within the register), an internal data error may be recoverable by resetting the device.

4.2.2.2 Internal Oscillator Fault

Class: Critical error

If an oscillator fault condition is detected, D_{OUT} is driven high continuously when \overline{CS} is asserted, as illustrated below.

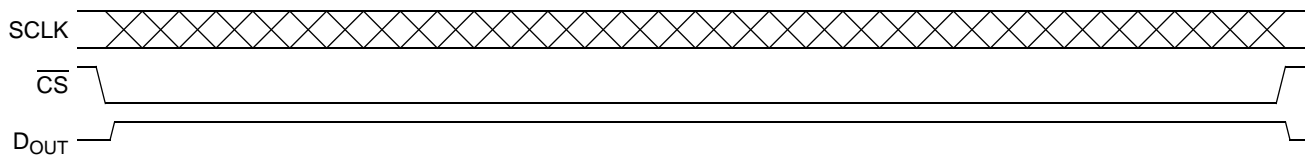


Figure 4-17 Oscillator Failure Response

4.2.2.3 Device Initialization

Class: Reset

Following a reset condition, the device requires a period of time to complete initialization of the DSP and internal registers. If multiple SPI transfers are attempted during this initialization period, the second and all subsequent transfers will result in this status. The first transfer following reset, regardless of the state of initialization returns device reset status.

4.2.2.4 Temperature Fault

Class: Transient error

The internal temperature sensor value exceeds the allowable limits for the device.

4.2.2.5 Unexpected Axis Selection

Class: External error

An acceleration data request has been received with an axis specification which is not supported.

4.2.2.6 Offset Error

Class: Transient error

This condition exists if the output of the offset monitor circuit reaches 10% of the full-scale value and the OFMON bit is set in the DSPCFG1 register.

4.2.2.7 Device Reset

Class: Reset

Following any reset operation, the device returns this status during the first acceleration data access.

4.2.2.8 SPI Clock Fault

Class: External error

A SPI clock fault may result from the following conditions:

- The number of rising clock edges detected while \overline{CS} is asserted is not equal to 16
- SCLK is high when \overline{CS} is asserted

4.3 ACCELERATION DATA REPRESENTATION

Acceleration values may be determined from the 10-bit digital output (DV) as follows:

MMA6222KEG

$$a = \text{sensitivity} \times DV \quad (\text{signed data representation})$$

Sensitivity is determined by nominal full-scale range (FSR), linear range of digital values and a scaling factor to compensate for sensitivity error.

The linear range of digital values for MMA62XXKEG is limited to accommodate overrange values produced by the DSP along with two reserved end values. The linear range of digital values and signed values is from -509 to +508. Note that the ranges are asymmetrical by 1 LSB.

The sensitivity error scaling factor is determined as follows:

$$\text{scale_factor} = (100.0 - \text{error_tolerance}) / 100.0$$

Finally, the nominal sensitivity in terms of acceleration per LSB is determined:

$$1 \text{ LSB} = (\text{FSR} / \text{scale_factor}) / ((\text{Max_Linear_Value} - \text{Min_Linear_Value}) / 2.0);$$

For the linear ranges of digital values indicated and projected sensitivity values, the nominal value of 1 LSB for each full-scale range is shown in the table below.

Table 4-4 Nominal Sensitivity (10-bit data)

Full-Scale Range (g)	Nominal Sensitivity (g/digit)
	Sensitivity Error = 4%
100	0.2048
50	0.1024
35	0.07170
20	0.04097

Table 4-5 Nominal Signed Acceleration Data Values

Digital Value	Nominal Acceleration			
	10-Bit Range (Self Test Disabled)			
	20 g	35 g	50 g	100 g
511	Reserved			
510	Overflow			
509	Overrange			
508	+20.8	+36.4	+52.0	+104
507	+20.8	+36.4	+51.9	+104
506	+20.7	+36.3	+51.8	+104
•	•	•	•	•
•	•	•	•	•
•	•	•	•	•
127	+5.20	9.11+	+13.0	+26.0
126	+5.16	+9.03	+12.9	+25.8
125	+5.12	+8.96	+12.8	+25.6
•	•	•	•	•
•	•	•	•	•
•	•	•	•	•
3	+0.123	+0.215	+0.307	+0.614
2	+0.082	+0.143	+0.205	+0.410
1	+0.041	+0.072	+0.102	+0.205
0	0	0	0	0
-1	-0.041	-0.072	-0.102	-0.205
-2	-0.082	-0.143	-0.205	-0.410
-3	-0.123	-0.215	-0.307	-0.614
•	•	•	•	•
•	•	•	•	•
•	•	•	•	•
-126	-5.16	-9.03	-12.9	-25.8
-127	-5.20	-9.11	-13.0	-26.0
-128	-5.24	-9.18	-13.1	-26.2
•	•	•	•	•
•	•	•	•	•
•	•	•	•	•
-507	-20.8	-36.4	-51.9	-104
-508	-20.8	-36.4	-52.0	-104
-509	-20.9	-36.5	-52.1	-104
-510	Underrange			
-511	Underflow			
-512	Reserved			

4.3.1 Overrange Response

Positive acceleration levels which exceed the full-scale range of the device fall into two categories: overrange and overflow. Overrange conditions exist when the signal level is beyond the full-scale range of the device but within the computational limits of the DSP. An overflow condition occurs if the output of the low-pass filter equals or exceeds the maximum digital value which can be output from the sinc filter. Sinc filter saturation will occur before the internal datapath width is exceeded. At 25°C the sinc filter will not saturate at sustained acceleration levels with the range of ± 200 g. The DSP operates predictably under all cases of overrange, although the signal may include residual high frequency components for some time after returning to the normal range of operation due to non-linear effects of the sensor. If an overflow condition occurs, the signal is internally clipped. The DSP will recover from an overflow condition within a few sample times after the input signal returns to the input range of the DSP. Due to internal clipping within the DSP, some high-frequency artifacts may be present in the output following an overflow condition.

For negative acceleration levels, corresponding underrange and underflow conditions are defined.

4.4 $\overline{\text{CAP/HOLD}}$ INPUT

The $\overline{\text{CAP/HOLD}}$ input provides a system-level synchronization mechanism. When driven high, transfer of acceleration results from the DSP to the SPI buffers does not occur. The DSP continues its normal operation regardless of the state of $\overline{\text{CAP/HOLD}}$. Data read from the device when $\overline{\text{CAP/HOLD}}$ is high will reflect the last values available from the DSP at the time of the signal transition.

SECTION 5 OPERATING MODES

MMA62XXKEG operates in one of two modes, factory test programming mode and normal operating mode. Factory test and programming mode is entered only when certain conditions are met, and provides support for programming of customer-defined data. Normal mode is entered by default when the device is powered on.

5.1 NORMAL OPERATING MODE

Normal mode is entered whenever the device is powered and the V_{PP} pin is held at or below the level of V_{CC} . In normal mode, acceleration data and device support data transfers are supported.

5.1.1 Power-On Reset

Upon application of voltage at the V_{CC} pin, the internal regulators will begin driving the internal power supply rails. The C_{REG} and C_{REGA} pins are tied to the internal rails. As voltages at V_{CC} , C_{REG} and C_{REGA} rise, the device becomes operational. An internal reset signal is asserted at this time. Separate comparators monitor all three voltages, and when all are above specified thresholds, the reset signal is negated and the device begins its initialization process.

5.1.2 Device Initialization

Following any reset, the device completes a sequence of operations which initialize internal circuitry. Device initialization is completed in two phases. During the first phase, the fuse array is read and its contents are transferred to mirror registers. Power to the fuse array is then removed to reduce supply current load. A voltage reference used within the sensor interface stabilizes during the second phase. If the HPFSEL bit is set in the DSP configuration register (DSPCFG), the high-pass filter is also initialized during phase two.

The device will not respond to SPI accesses during initialization phase one. Acceleration results are not available during initialization phase two, however the SPI is functional and register operations may be performed. If an acceleration data access is attempted, the device will respond with non-acceleration data.

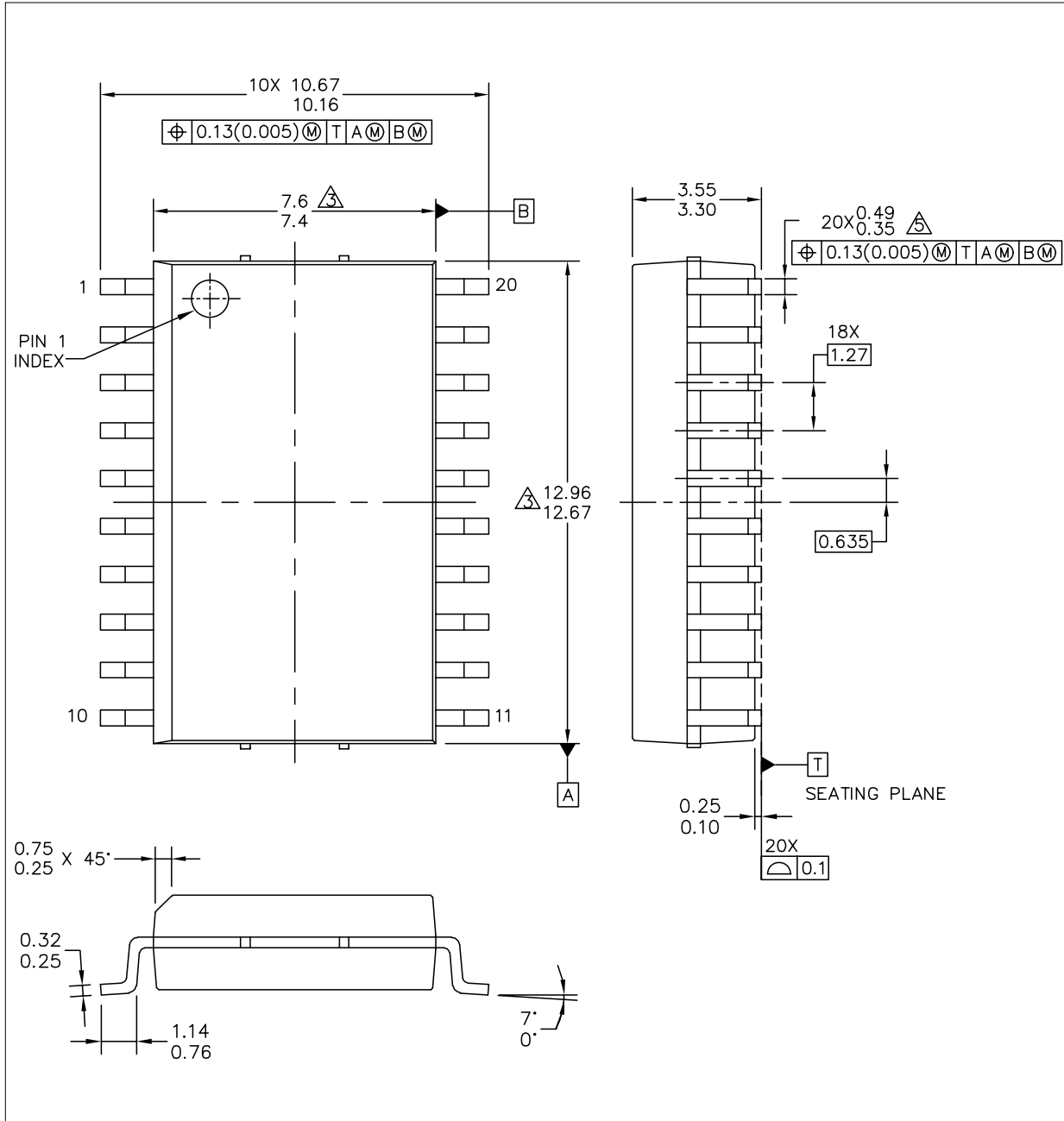
The first initialization phase requires approximately 800 μ s to complete. The second phase completes in approximately 3 ms if no high-pass filter is selected, and 200 ms if the HPFSEL bit is programmed to a logic '1' state. The DEVINIT bit in the device status register (DEVSTAT) remains set following reset until the second phase of device initialization completes.

APPENDIX A

Table A-1: Low-Pass Filter Options

Filter Option						Cutoff Frequency f_c (HZ)	Equivalent Poles	Sample Time t_s μ s
LPF_X[4] LPF_Y[4]	LPF_X[3] LPF_Y[3]	LPF_X[2] LPF_Y[2]	LPF_X[1] LPF_Y[1]	LPF_X[0] LPF_Y[0]	Reference			
0	0	0	0	0	0	10	4	256
0	0	0	0	1	1	15		128
0	0	0	1	0	2	30		64
0	0	0	1	1	3	50		32
0	0	1	0	0	4	75		
0	0	1	0	1	5	100		
0	0	1	1	0	6	130		
0	0	1	1	1	7	160		
0	1	0	0	0	8	200		
0	1	0	0	1	9	250		
0	1	0	1	0	10	300		
0	1	0	1	1	11	350		
0	1	1	0	0	12	400		
0	1	1	0	1	13	500		
0	1	1	1	0	14	600		
0	1	1	1	1	15	700		
1	0	0	0	0	16	800		
1	0	0	0	1	17	900		
1	0	0	1	0	18	1000		
1	0	0	1	1	19	10	2	64
1	0	1	0	0	20	15		32
1	0	1	0	1	21	30		
1	0	1	1	0	22	50		
1	0	1	1	1	23	75		
1	1	0	0	0	24	100		
1	1	0	0	1	25	130		
1	1	0	1	0	26	160		16
1	1	0	1	1	27	200		
1	1	1	0	0	28	250		
1	1	1	0	1	29	300		
1	1	1	1	0	30	350		
1	1	1	1	1	31	400		

PACKAGE DIMENSIONS



© FREESCALE SEMICONDUCTOR, INC. ALL RIGHTS RESERVED.	MECHANICAL OUTLINE	PRINT VERSION NOT TO SCALE	
TITLE: 20LD SOIC W/B, 1.27 PITCH 7.5 X 12.8, ACCLEROMETER CASE-OUTLINE	DOCUMENT NO: 98ASB17933C	REV: C	
	CASE NUMBER: 475A-02	06 JUL 2006	
	STANDARD: NON-JEDEC		

PACKAGE DIMENSIONS

NOTES:

1. DIMENSIONING AND TOLERANCING PER ASME Y14.5M-1994.
2. DIMENSIONS ARE IN MILLIMETERS.
3. THIS DIMENSION DO NOT INCLUDE MOLD PROTRUSION.
4. MAXIMUM MOLD PROTRUSION 0.15(0.006) PER SIDE.
5. THIS DIMENSION DOES NOT INCLUDE DAM BAR PROTRUSION ALLOWABLE DAM BAR PROTRUSION SHALL BE 0.13(0.005) TOTAL IN EXCESS OF THIS DIMENSION AT MAXIMUM MATERIAL CONDITION.

© FREESCALE SEMICONDUCTOR, INC. ALL RIGHTS RESERVED.	MECHANICAL OUTLINE	PRINT VERSION NOT TO SCALE	
TITLE: 20LD SOIC W/B, 1.27 PITCH 7.5 X 12.8, ACCLEROMETER CASE-OUTLINE	DOCUMENT NO: 98ASB17933C	REV: C	
	CASE NUMBER: 475A-02	06 JUL 2006	
	STANDARD: NON-JEDEC		

How to Reach Us:

Home Page:

www.freescale.com

Web Support:

<http://www.freescale.com/support>

USA/Europe or Locations Not Listed:

Freescale Semiconductor, Inc.
Technical Information Center, EL516
2100 East Elliot Road
Tempe, Arizona 85284
1-800-521-6274 or +1-480-768-2130
www.freescale.com/support

Europe, Middle East, and Africa:

Freescale Halbleiter Deutschland GmbH
Technical Information Center
Schatzbogen 7
81829 Muenchen, Germany
+44 1296 380 456 (English)
+46 8 52200080 (English)
+49 89 92103 559 (German)
+33 1 69 35 48 48 (French)
www.freescale.com/support

Japan:

Freescale Semiconductor Japan Ltd.
Headquarters
ARCO Tower 15F
1-8-1, Shimo-Meguro, Meguro-ku,
Tokyo 153-0064
Japan
0120 191014 or +81 3 5437 9125
support.japan@freescale.com

Asia/Pacific:

Freescale Semiconductor China Ltd.
Exchange Building 23F
No. 118 Jianguo Road
Chaoyang District
Beijing 100022
China
+86 10 5879 8000
support.asia@freescale.com

For Literature Requests Only:

Freescale Semiconductor Literature Distribution Center
1-800-441-2447 or +1-303-675-2140
Fax: +1-303-675-2150
LDCForFreescaleSemiconductor@hibbertgroup.com

Information in this document is provided solely to enable system and software implementers to use Freescale Semiconductor products. There are no express or implied copyright licenses granted hereunder to design or fabricate any integrated circuits or integrated circuits based on the information in this document.

Freescale Semiconductor reserves the right to make changes without further notice to any products herein. Freescale Semiconductor makes no warranty, representation or guarantee regarding the suitability of its products for any particular purpose, nor does Freescale Semiconductor assume any liability arising out of the application or use of any product or circuit, and specifically disclaims any and all liability, including without limitation consequential or incidental damages. "Typical" parameters that may be provided in Freescale Semiconductor data sheets and/or specifications can and do vary in different applications and actual performance may vary over time. All operating parameters, including "Typicals", must be validated for each customer application by customer's technical experts. Freescale Semiconductor does not convey any license under its patent rights nor the rights of others. Freescale Semiconductor products are not designed, intended, or authorized for use as components in systems intended for surgical implant into the body, or other applications intended to support or sustain life, or for any other application in which the failure of the Freescale Semiconductor product could create a situation where personal injury or death may occur. Should Buyer purchase or use Freescale Semiconductor products for any such unintended or unauthorized application, Buyer shall indemnify and hold Freescale Semiconductor and its officers, employees, subsidiaries, affiliates, and distributors harmless against all claims, costs, damages, and expenses, and reasonable attorney fees arising out of, directly or indirectly, any claim of personal injury or death associated with such unintended or unauthorized use, even if such claim alleges that Freescale Semiconductor was negligent regarding the design or manufacture of the part.

Freescale™ and the Freescale logo are trademarks of Freescale Semiconductor, Inc. All other product or service names are the property of their respective owners.

© Freescale Semiconductor, Inc. 2009. All rights reserved.

RoHS-compliant and/or Pb-free versions of Freescale products have the functionality and electrical characteristics of their non-RoHS-compliant and/or non-Pb-free counterparts. For further information, see <http://www.freescale.com> or contact your Freescale sales representative.

For information on Freescale's Environmental Products program, go to <http://www.freescale.com/ep>.

Mouser Electronics

Authorized Distributor

Click to View Pricing, Inventory, Delivery & Lifecycle Information:

[Freescale Semiconductor:](#)

[MMA621010KEG](#) [MMA6222KEG](#) [MMA6255KEG](#)