


# Valve connectors - SACC-VQ-4CON-0,75-A-VER - 1640799

Please be informed that the data shown in this PDF Document is generated from our Online Catalog. Please find the complete data in the user's documentation. Our General Terms of Use for Downloads are valid (<http://phoenixcontact.com/download>)



Sensor Actuator Plug, 4 position, valve connector type A, with QUICKON connection, mit power amplifier with zener diode, cross section from 0.34 to 0.75 sq mm, with one cable intake for round cables from 4 to 7 mm

## Key Commercial Data

Packing unit	1 STK
GTIN	 4 017918 180959
GTIN	4017918180959
Sales Key	02

## Technical data

### Dimensions

External diameter	4 mm ... 7 mm
-------------------	---------------

### Ambient conditions

Degree of protection	IP65
----------------------	------

### General

Rated current at 40°C	2 A
Rated voltage	36 V DC
Number of positions	4
Coding	A - standard
Status display	LED red
Protective circuit/component	Power amplifier with zener diode
Overvoltage category	II
Degree of pollution	3
Connection method	QUICKON
Conductor cross section	0.34 mm <sup>2</sup> ... 0.75 mm <sup>2</sup>
Wire diameter incl. insulation	≤ 2.5 mm
Frequency of connections between conductors of the same cross section	10 (if the conductor is connected more than once, seal and cap may need to be replaced)
Wire insulation material	PVC / PE
Tightening torque, union nut	2.5 Nm
Structure of individual litz in acc. with VDE 0295 / smallest wire diameter	Class 2-5

# Valve connectors - SACC-VQ-4CON-0,75-A-VER - 1640799

## Technical data

### Material

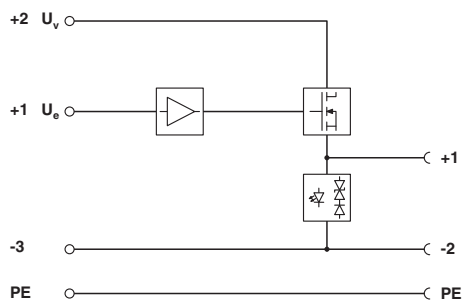
Flammability rating according to UL 94	HB
Contact material	CuSn
Contact surface material	Ag

### Standards and Regulations

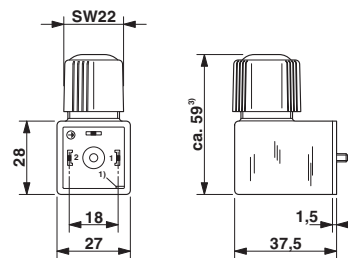
Flammability rating according to UL 94	HB
--	----

## Drawings

Circuit diagram



Dimensional drawing



## Approvals

### Approvals

### Approvals

EAC

### Ex Approvals

### Approval details

EAC		EAC-Zulassung
-----	--	---------------

Phoenix Contact 2018 © - all rights reserved  
<http://www.phoenixcontact.com>

PHOENIX CONTACT GmbH & Co. KG  
Flachsmarktstr. 8  
32825 Blomberg  
Germany  
Tel. +49 5235 300  
Fax +49 5235 3 41200  
<http://www.phoenixcontact.com>