

4

3

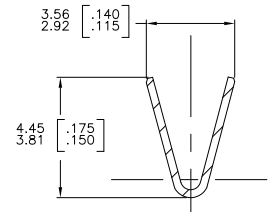
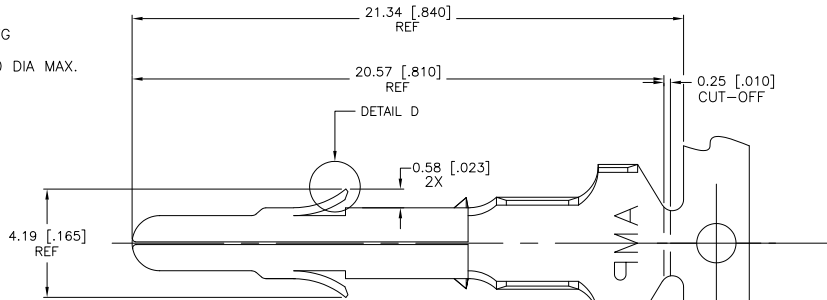
2

1

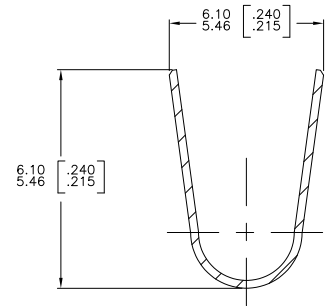
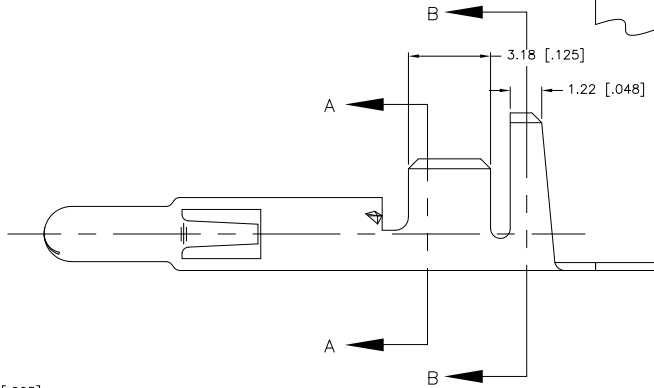
THIS DRAWING IS UNPUBLISHED. RELEASED FOR PUBLICATION
 © COPYRIGHT - By - ALL RIGHTS RESERVED.

LOC	DIST	REVISIONS			
F	REV	DESCRIPTION	DATE	BY	APP'D
CM	00				
	U1	REVISED PER ECO-11-004917	11MAR11	RK	HMR

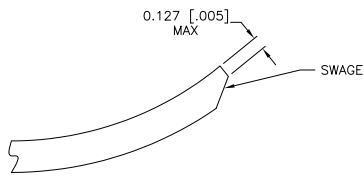
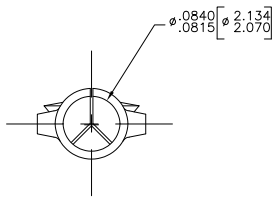
- 1. WIRE RANGE: 18-14 AWG
- 2. INSULATION RANGE: .200 DIA MAX.



SECTION A-A



SECTION B-B



DETAIL D

350918-3	PRE-TIN	.012 PH. BRZ.	350873-3
	PRE-TIN	.012 BRASS	350873-1
LOOSE PIECE REFERENCE	FINISH	MATERIAL	PART NUMBER

THIS DRAWING IS A CONTROLLED DOCUMENT.		DRN S. HOOVER 04-FEB-2003	TE Connectivity	
DIMENSIONS: mm [INCHES]		CHK S. RIGGILL 04-FEB-2003	PIN, UNIVERSAL MATE-N-LOK™	
TOLERANCES UNLESS OTHERWISE SPECIFIED:		APP'D S. RIGGILL 04-FEB-2003	RESTRICTED TO	
0 PLG	±	APPLICATION SPEC:	SIZE	CAGE CODE
1 PLG	±		A2	00779
2 PLG	±		C=	350873
3 PLG	±			
4 PLG	± 0.38 [015]			
ANGLES	± 0.30°			
MATERIAL	FINISH	WEIGHT	CUSTOMER DRAWING	SCALE
				4:1
				SHEET 1 of 1
				REV U1