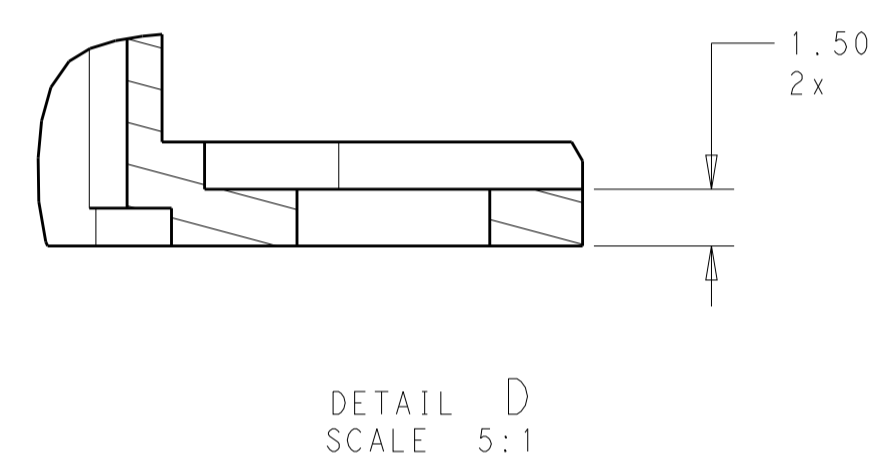
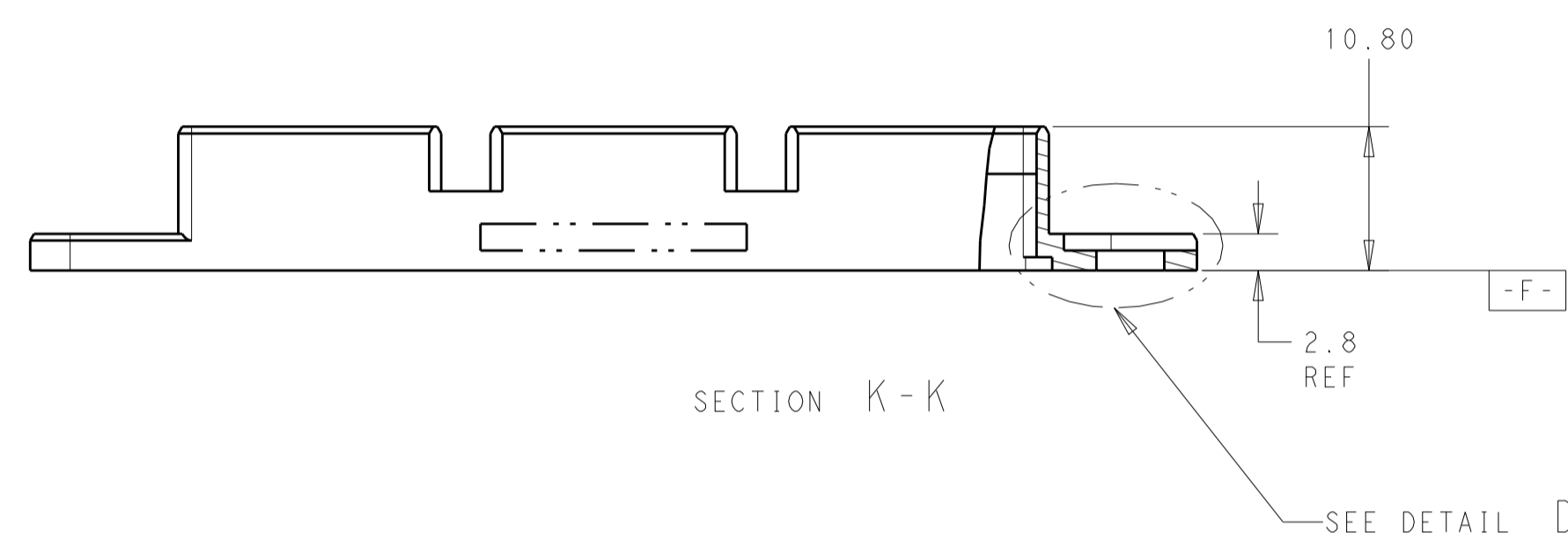
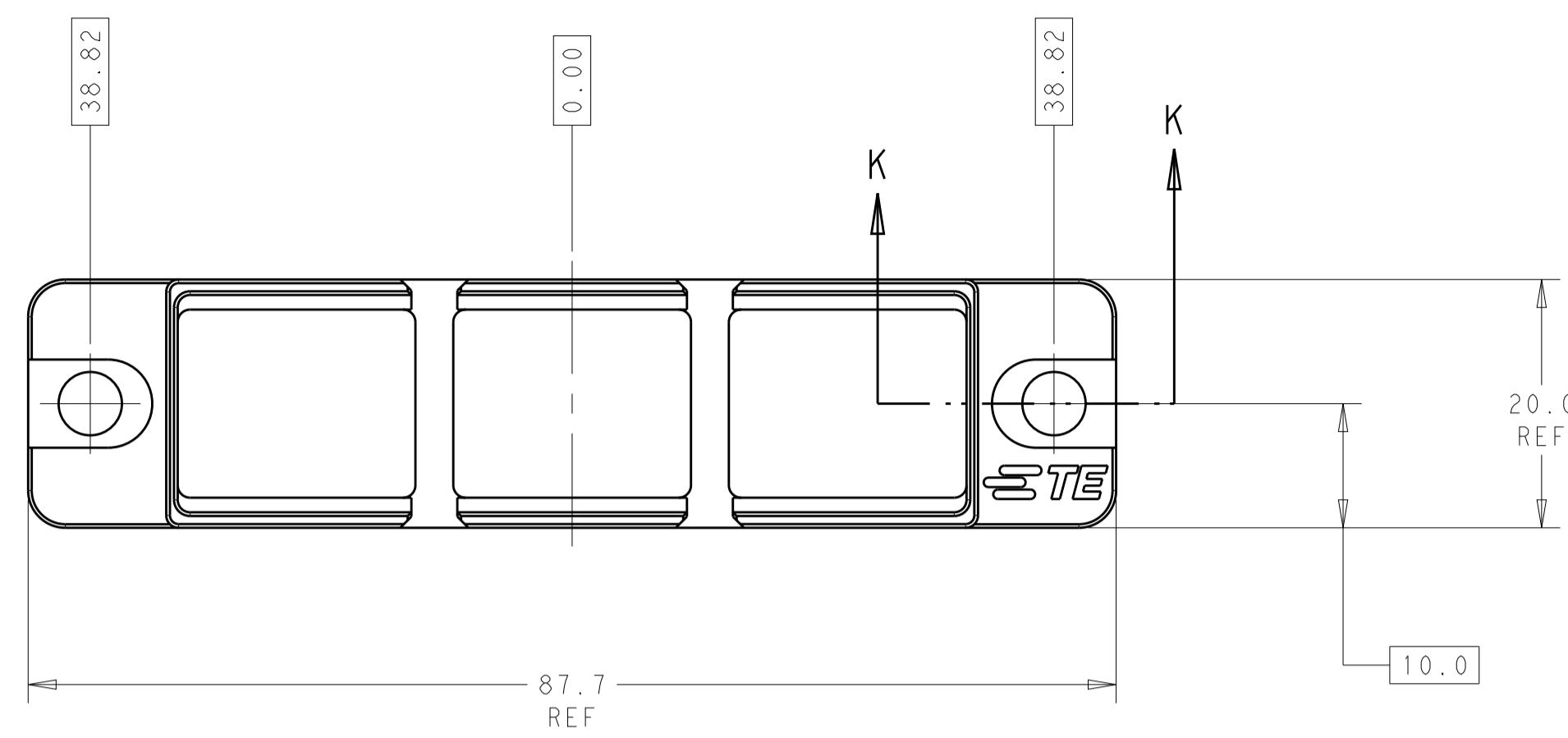
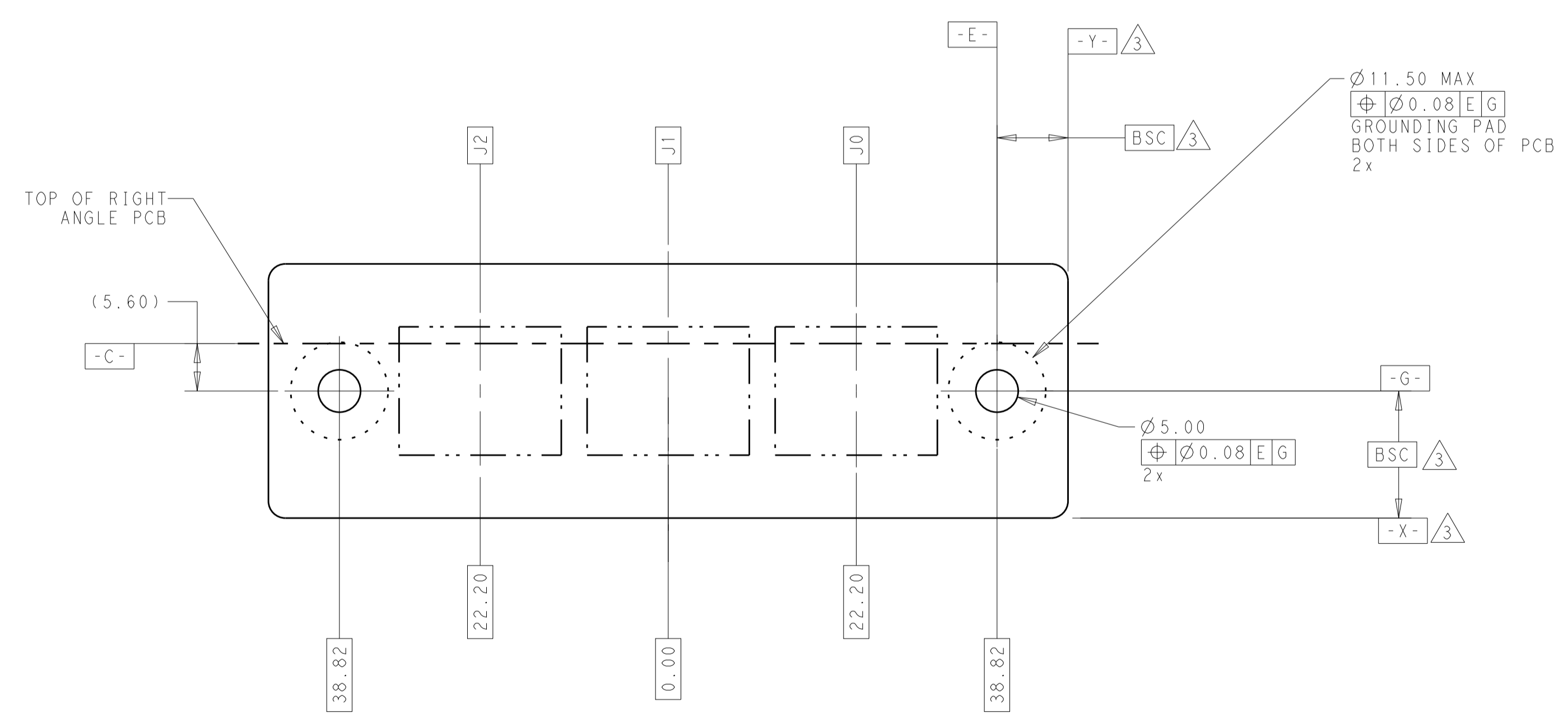


| REVISIONS | | | | |
|-----------|-----|-----------------------|-----------|--------|
| P. | LTN | DESCRIPTION | DATE | APPROV |
| 2 | | ADDED NEW DASH NUMBER | 24APR2014 | DCB KT |
| 3 | | ADDED NEW DASH NUMBER | 21MAY2014 | DCB KT |
| 5 | | ECO-15-001933 | 24FEB2015 | KG DH |



2226784-1 SHOWN



- 1 MATERIAL: ALUMINUM ALLOY
- 2 FINISH: TRIVALENT CHROMATE, 96 HOUR SALT SPRAY CAPABLE.
- 3 DATUMS AND BASIC DIMENSIONS ESTABLISHED BY CUSTOMER.

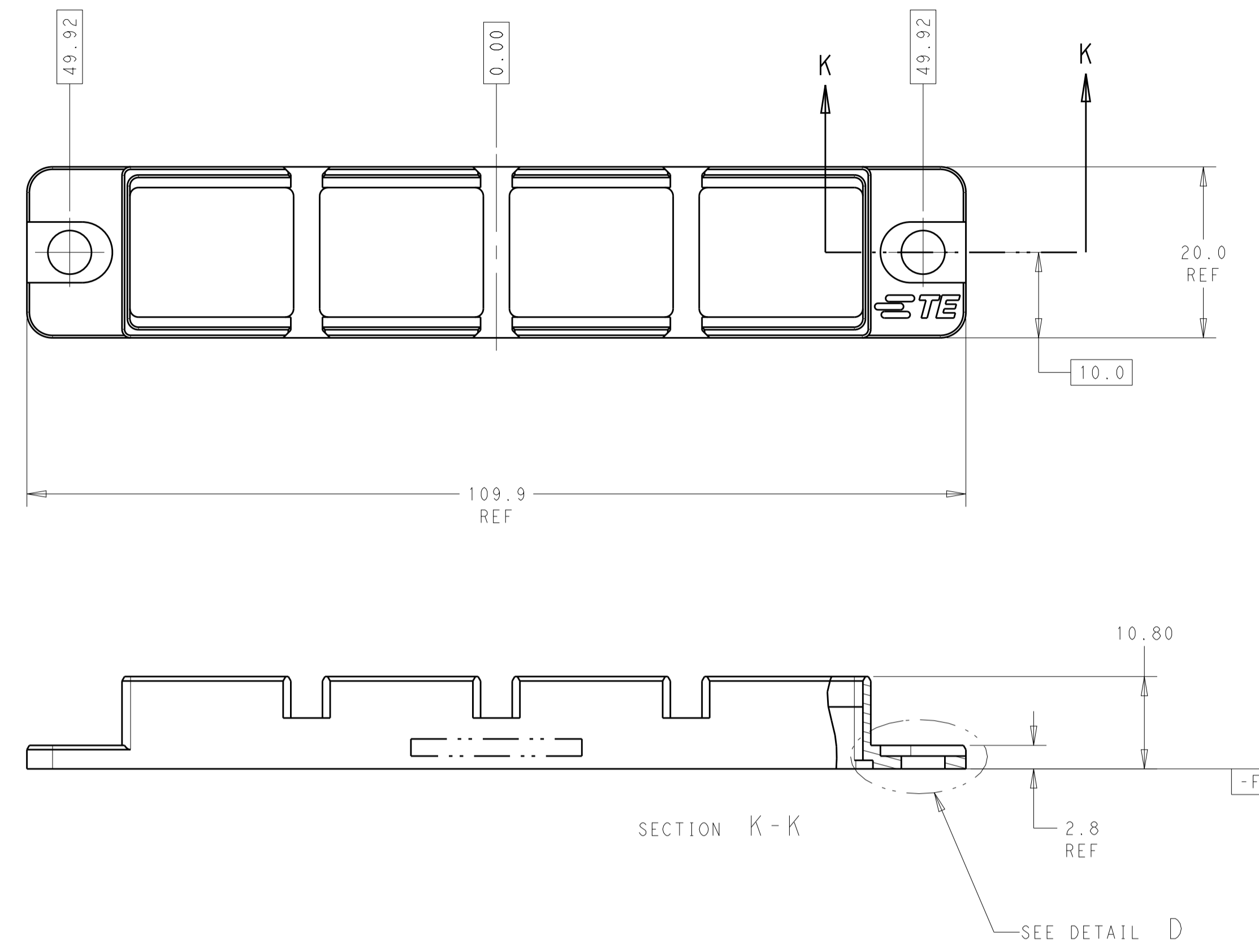
PCB INSERT LOCATIONS

| | | | |
|------------------|------------------------------|-----------|-------------|
| 31.1 | 4 | 8 | 2226784-5 |
| 29.3 | 3 | 8 | 2226784-4 |
| 34.2 | 4 | 9 | 2226784-3 |
| 15.1 | 2 | 4 | 2226784-2 |
| 12.0 | 2 | 3 | 2226784-1 |
| APPROX. WEIGHT g | SHELL TO PCB MOUNTING POINTS | # OF BAYS | PART NUMBER |

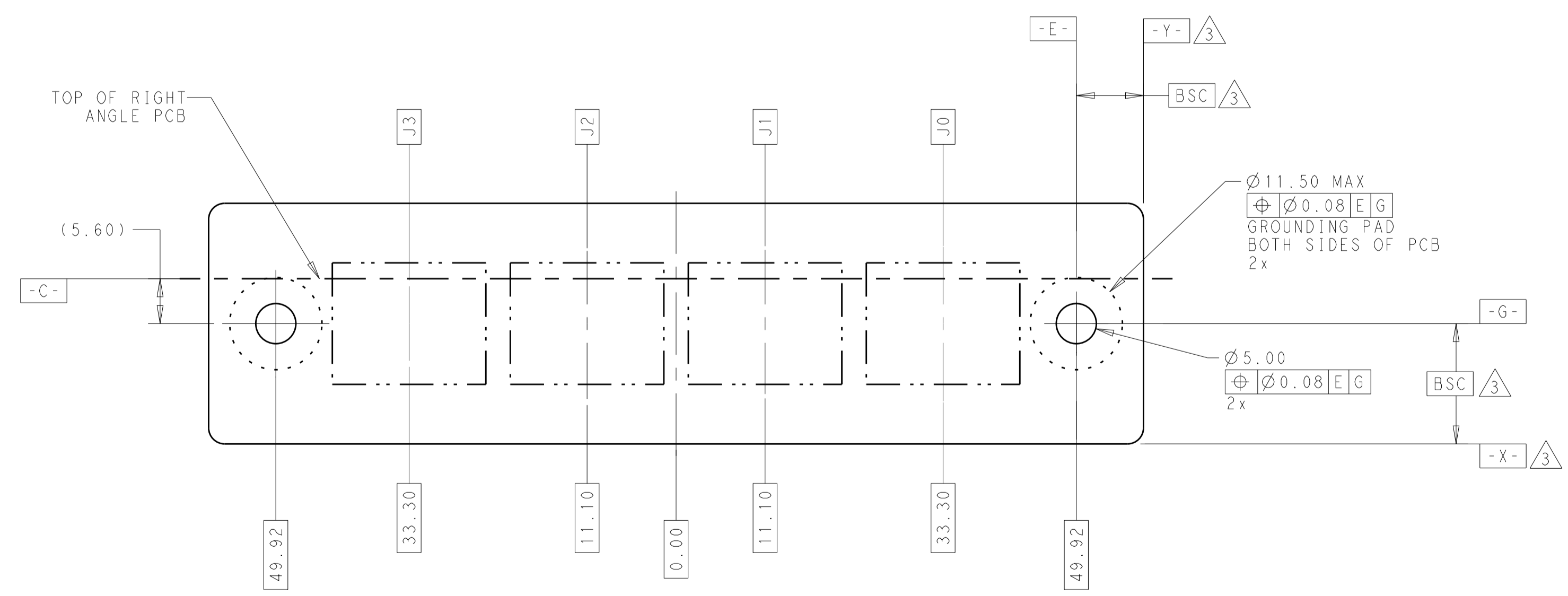
THIS PRINT IS
PRELIMINARY
 UNQUALIFIED PRODUCT
 CONTACT PRODUCT ENGINEERING
 BEFORE USING THIS PRINT

| | | | | |
|--|--|-------------------------|---|-------------------------------|
| THIS DRAWING IS A CONTROLLED DOCUMENT. | | DWN: D BELACK 18NOV2013 | | |
| DIMENSIONS: mm | | CHK: K THACKSTON | For this ZULRM, BACKPLANE, VERTICAL, SHELL ASSEMBLY | |
| TOLERANCES UNLESS OTHERWISE SPECIFIED: | | APPRV: M McALONIS | PRODUCT SPEC: 108-2474 APPLICATION SPEC: 408-10464 | |
| 0 PLC ±0.13 2 PLC ±0.08 3 PLC ±0.025 4 PLC ±0.025 ANGLES ±2° | | SIZE: A1 | CAGE CODE: C=2226784 | RESTRICTED TO: - |
| MATERIAL: 1 | | WEIGHT: - | Customer Drawing | SCALE: 2:1 SHEET 1 OF 5 REV 5 |

| REVISIONS | | | | |
|-----------|------|-------------|------|-------|
| P. | LTN. | DESCRIPTION | DATE | APVD. |
| - | - | SEE SHEET 1 | - | - |
| | | | | |
| | | | | |



2226784-2 SHOWN

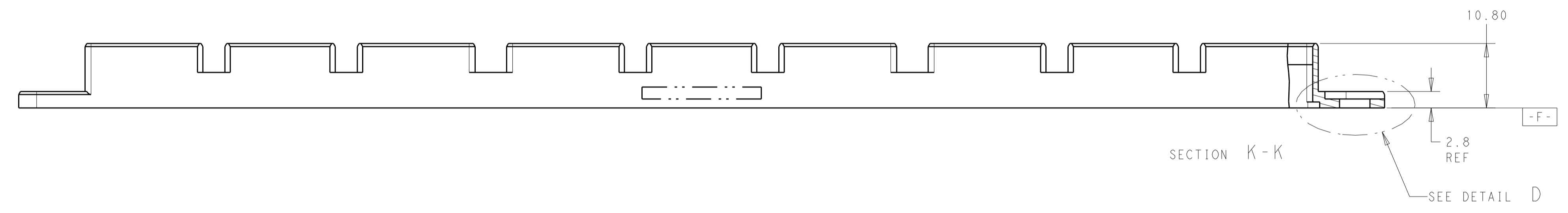
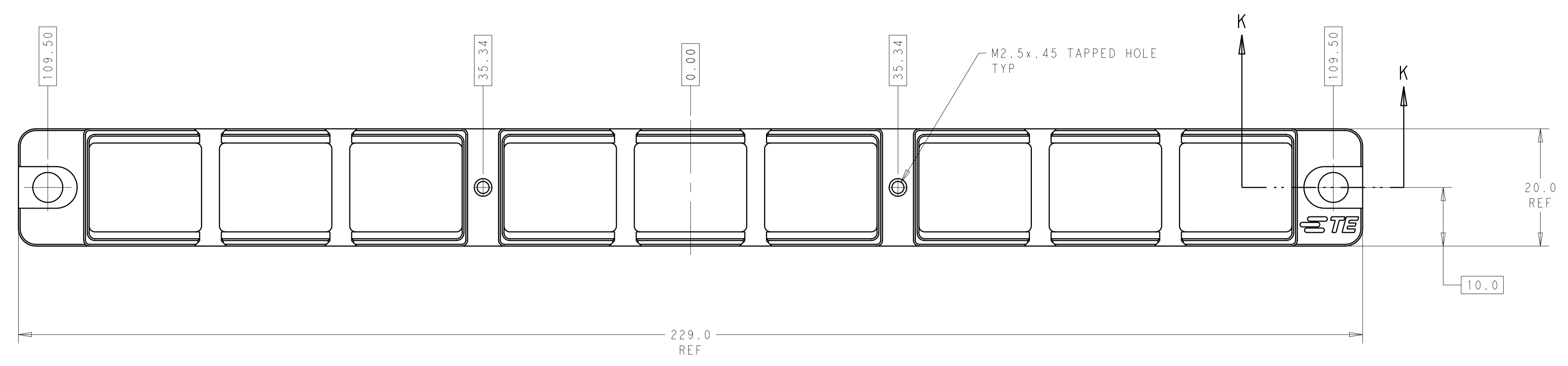


THIS PRINT IS
PRELIMINARY
 UNQUALIFIED PRODUCT
 CONTACT PRODUCT ENGINEERING
 BEFORE USING THIS PRINT

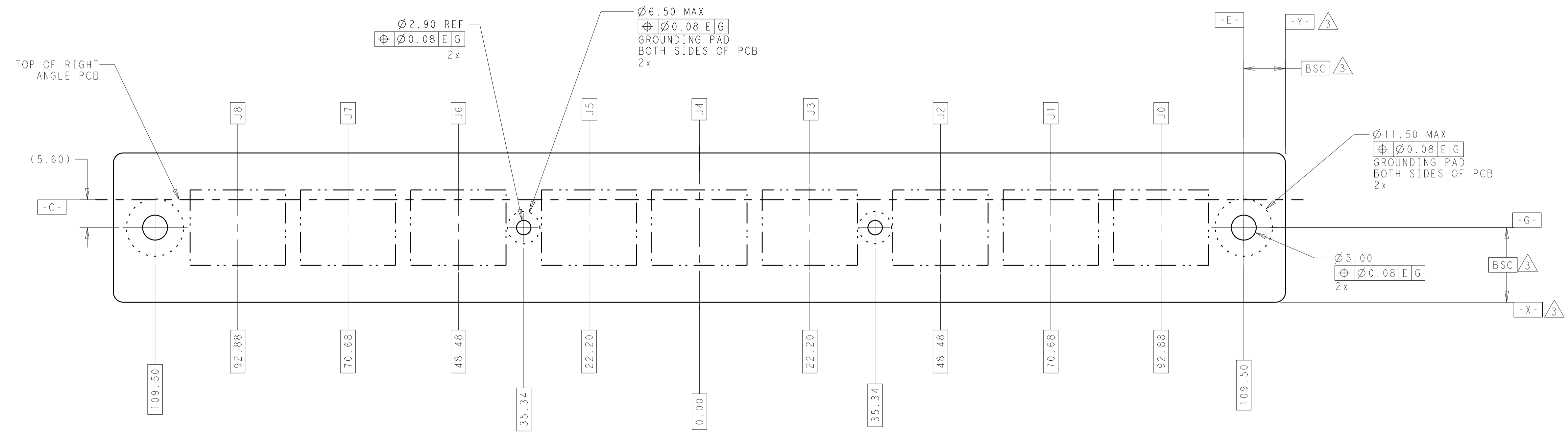
PCB INSERT LOCATIONS

| | | | |
|---|--|----------------------------|---|
| THIS DRAWING IS A CONTROLLED DOCUMENT. | | DWN D. BELACK 18NOV2013 | TE Connectivity |
| DIMENSIONS: mm | | CHK K. THACKSTON | |
| TOLERANCES UNLESS OTHERWISE SPECIFIED: 0 PLC ±0.13 2 PLC ±0.08 3 PLC ±0.08 4 PLC ±0.025 ANGLES ±2° | | APVD M. McALONIS | NAME Fortis Zd LRM, BACKPLANE, VERTICAL, SHELL ASSEMBLY |
| MATERIAL | | PRODUCT SPEC 108-2474 | SIZE A1 |
| FINISH | | APPLICATION SPEC 408-10464 | CAGE CODE - |
| WEIGHT | | Customer Drawing | RESTRICTED TO |
| SCALE 1:1 | | SHEET 2 OF 5 | REV 5 |

| REVISIONS | | | | |
|-----------|------|-------------|------|-------|
| P. | LTN. | DESCRIPTION | DATE | APVD. |
| - | - | SEE SHEET 1 | - | - |
| | | | | |
| | | | | |



2226784-3 SHOWN

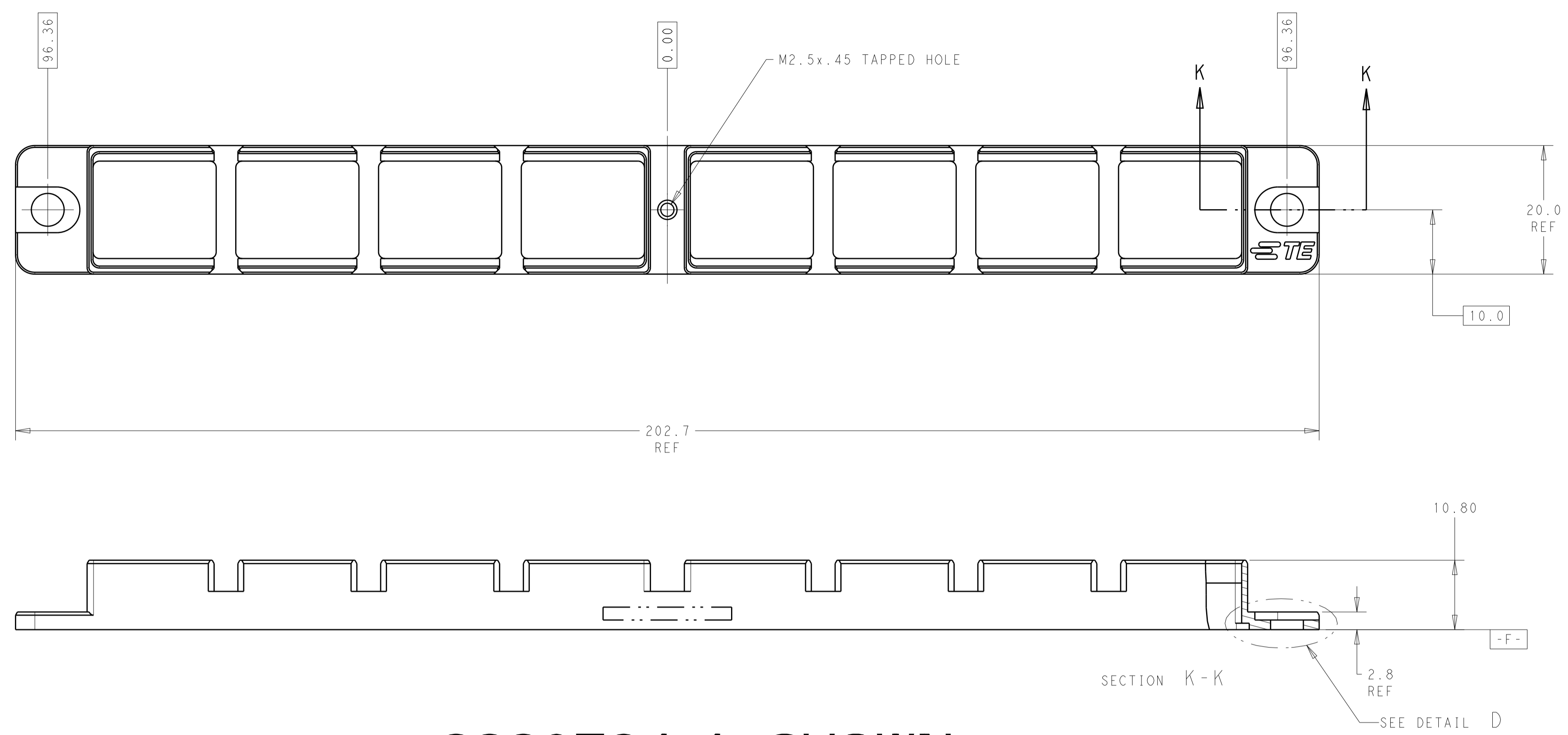


THIS PRINT IS
PRELIMINARY
 UNQUALIFIED PRODUCT
 CONTACT PRODUCT ENGINEERING
 BEFORE USING THIS PRINT

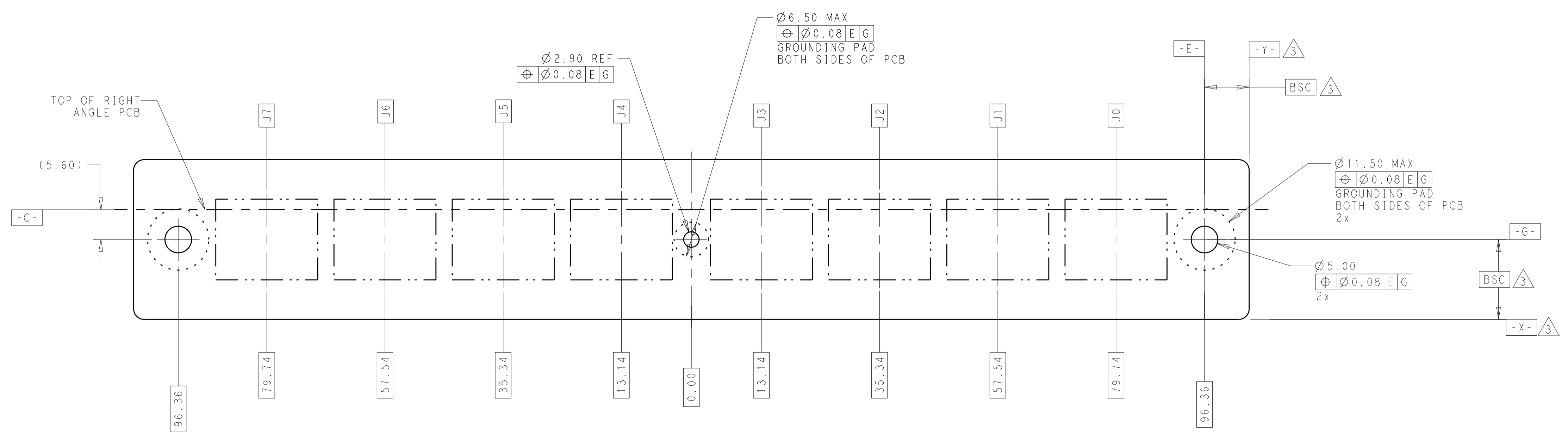
PCB INSERT LOCATIONS

| | | | |
|--|--------------|--------------------------|--|
| THIS DRAWING IS A CONTROLLED DOCUMENT. | | DWN: D. BELACK 18NOV2013 | TE Connectivity |
| DIMENSIONS: mm | | CHK: K. THACKSTON | |
| TOLERANCES UNLESS OTHERWISE SPECIFIED: | | APVD: M. McALONIS | NAME: Fortis Zd LRM, BACKPLANE, VERTICAL, SHELL ASSEMBLY |
| 0 PLC ±0.13 | 1 PLC ±0.08 | 2 PLC ±0.08 | PRODUCT SPEC: 108-2474 |
| 3 PLC ±0.025 | 4 PLC ±0.025 | ANGLES ±2° | APPLICATION SPEC: 408-10464 |
| MATERIAL: 1 | FINISH: 2 | WEIGHT: - | SIZE: A1 |
| Customer Drawing | | SCALE: 1:1 | RESTRICTED TO: - |
| | | SHEET: 3 OF 5 | REV: 5 |

| REVISIONS | | | | |
|-----------|------|-------------|------|-------|
| P. | LTN. | DESCRIPTION | DATE | APVD. |
| - | - | SEE SHEET 1 | - | - |
| | | | | |
| | | | | |



2226784-4 SHOWN

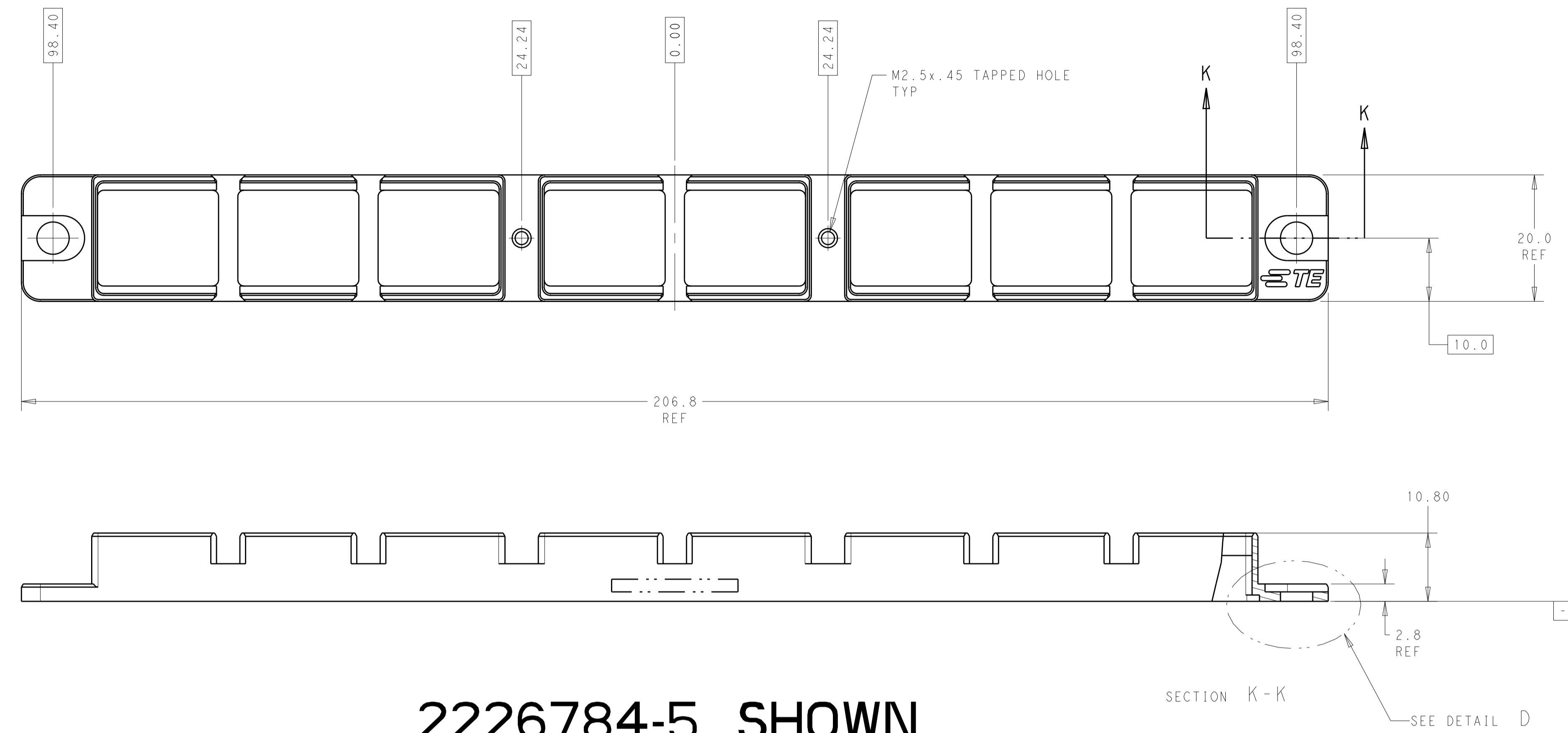


PCB INSERT LOCATIONS

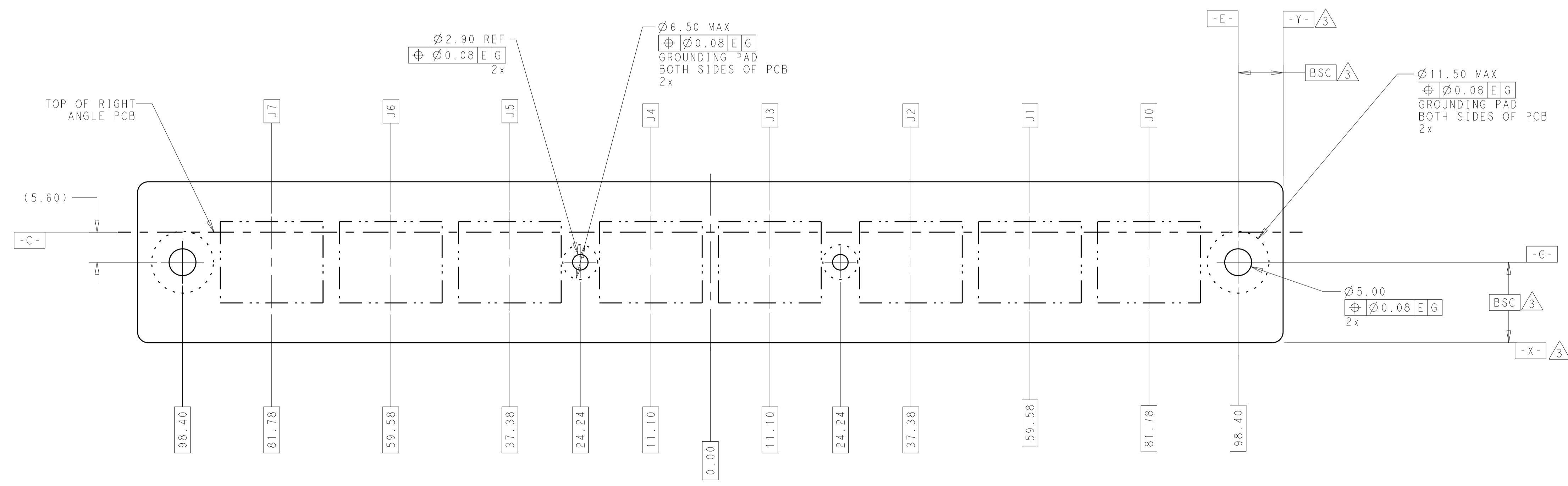
THIS PRINT IS
PRELIMINARY
 UNQUALIFIED PRODUCT
 CONTACT PRODUCT ENGINEERING
 BEFORE USING THIS PRINT

| | | | | |
|--|--|---|----------------|---|
| THIS DRAWING IS A CONTROLLED DOCUMENT. | | DWN D. BELACK | 18NOV2013 | TE Connectivity |
| DIMENSIONS: | | CHK K. THACKSTON | NAME | |
| mm | TOLERANCES UNLESS OTHERWISE SPECIFIED: | APVD M. McALONIS | PRODUCT SPEC | Fortis Zd LRM, BACKPLANE, VERTICAL, SHELL ASSEMBLY |
| 0 PLC ± 1 PLC ±0.13 2 PLC ±0.08 3 PLC ±0.025 4 PLC ± ANGLES ±2° | Ø0.08 E/G Ø0.08 E/G Ø0.08 E/G Ø0.08 E/G | PRODUCT SPEC 108-2474 APPLICATION SPEC 408-10464 | SIZE A1 | |
| MATERIAL | FINISH | WEIGHT | CAGE CODE - | DRAWING NO C=2226784 |
| | | Customer Drawing | SCALE 1:1 | SHEET 4 OF 5 REV 5 |

| REVISIONS | | | | |
|-----------|------|-------------|------|--------|
| P. | LTN. | DESCRIPTION | DATE | APP'D. |
| - | - | SEE SHEET 1 | - | - |
| | | | | |
| | | | | |



2226784-5 SHOWN



PCB INSERT LOCATIONS

THIS PRINT IS
PRELIMINARY
 UNQUALIFIED PRODUCT
 CONTACT PRODUCT ENGINEERING
 BEFORE USING THIS PRINT

| | | | |
|--|--------------|-----------------------------|--|
| THIS DRAWING IS A CONTROLLED DOCUMENT. | | DWN: D. BELACK 18NOV2013 | TE Connectivity |
| DIMENSIONS: mm | | CHK: K. THACKSTON | |
| TOLERANCES UNLESS OTHERWISE SPECIFIED: | | APVD: M. McALONIS | NAME: Fortis Zd LRM, BACKPLANE, VERTICAL, SHELL ASSEMBLY |
| 0 PLC ±0.13 | 1 PLC ±0.08 | PRODUCT SPEC: 108-2474 | SIZE: A1 |
| 2 PLC ±0.08 | 3 PLC ±0.025 | APPLICATION SPEC: 408-10464 | CAGE CODE: C=2226784 |
| 4 PLC ±0.025 | ANGLES ±2° | WEIGHT: - | RESTRICTED TO: - |
| MATERIAL: - | FINISH: - | Customer Drawing | SCALE: 2:1 SHEET 5 OF 5 REV 5 |