

MICRO SWITCH

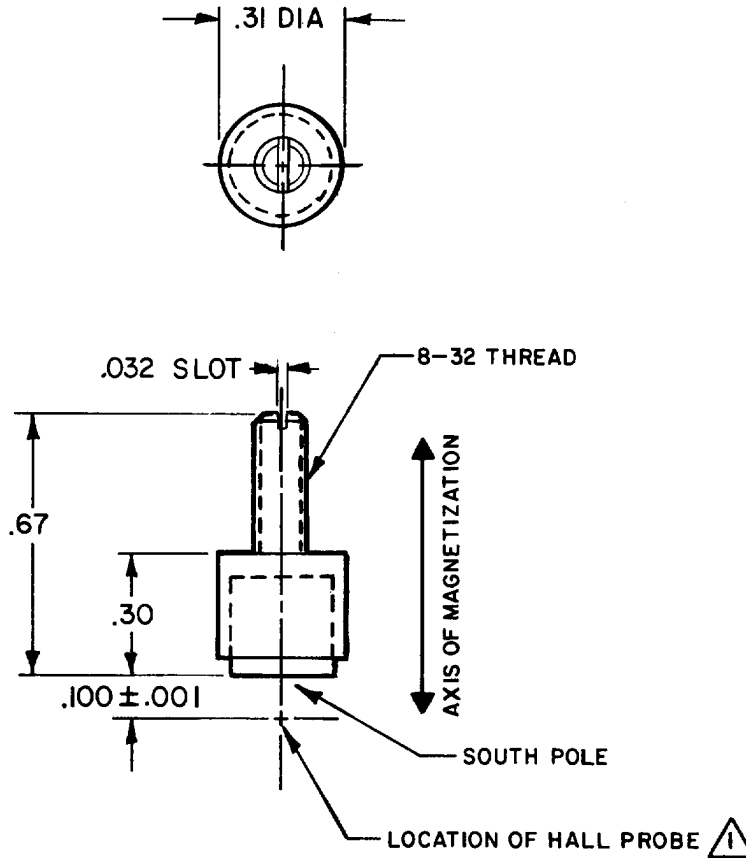
FREEPORT, ILLINOIS, U.S.A.
A DIVISION OF HONEYWELL

FED. MFG. CODE 91929

MAGNET - ACTUATOR

CATALOG LISTING
102MG11-BP

THIS DRAWING COVERS A PROPRIETARY ITEM AND IS THE PROPERTY OF MICRO SWITCH, A DIVISION OF HONEYWELL. THIS DRAWING IS NOT TO BE COPIED OR USED WITHOUT THE APPROVAL OF MICRO SWITCH.



NOTES

- ① - READING IN GAUSS AT HALL ELEMENT OF GAUSS METER PROBE AT $.100 \pm .001$ DISTANCE WILL BE 480 GAUSS MINIMUM AND 600 GAUSS MAXIMUM
- 2 - PACKED 100 PER BOX

THIRD ANGLE PROJECTION

SCALE **2 TO 1**

DO NOT SCALE PRINT

TOLERANCES

APPLY TO DESIGN UNITS. CONVERSIONS ARE ONLY FOR REFERENCE. UNLESS NOTED, TOLERANCES ARE ±

	DIM.		TOL.	
	mm	in	mm/in	in
NO PLACES	X		17.04	
ONE PLACE	X,X		0.4/018	X,X 0.87/03
TWO PLACES	X,X,X		0.15/006	X,X,X 0.38/015
THREE PLACES	X,X,X,X			X,X,X,X 0.13/003
ANGLES				

DESIGN UNITS SI METRIC US CUSTOMARY

WEIGHT

102MG11-BP
 M
 DRAWING NUMBER
 ISSUE 4
 REVISIONS
 A CO 45855 GRT 6 APR 79
 B CO 48033 KAG 17 JUL 80
 C CO 50564 KAG 10 DEC 81
 0-50378-2A
 DRAWN
 T R F 27 JULY 78
 CHECK GLY
 1 AUG 78
 CHECK
 RELEASE NO. PR-7303
 REPLACES