



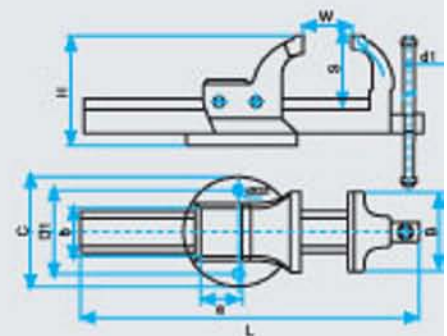
Parallel Vice

All-steel, drop forged (CF45 Steel). With **extra large anvil** and **higher jaws for an increased clamping volume**.

Jaws and anvil induction hardened (HRC52-58).

Adjustable jaw alignment system guarantees precision clamping.

LONG TIME GUARANTEE



| | RS Code | 7719281 | 7719290 |
|----------------------|---------|---------|---------|
| Jaw Width | B | 120 | 140 |
| Vice Height | H | 150 | 178 |
| Jaw Depth | S | 82 | 98 |
| Jaw Opening | W | 150 | 200 |
| Length | Lmin. | 380 | 475 |
| Base Diameter | C | 150 | 182 |
| Anvil Size | axb | 75x75 | 95x90 |
| Screwhandle | d1 | 13 | 15 |
| Hole Distance | D1 | 113 | 145 |
| Hole Diameter | D2 | ø13,5 | ø15 |
| Weight | kg | 9,5 | 16,5 |
| Clamps pipes from/to | *1 | 1/8"-4" | 1/8"-5" |