

10 9 8 7 6 5 4 3 2 1

F

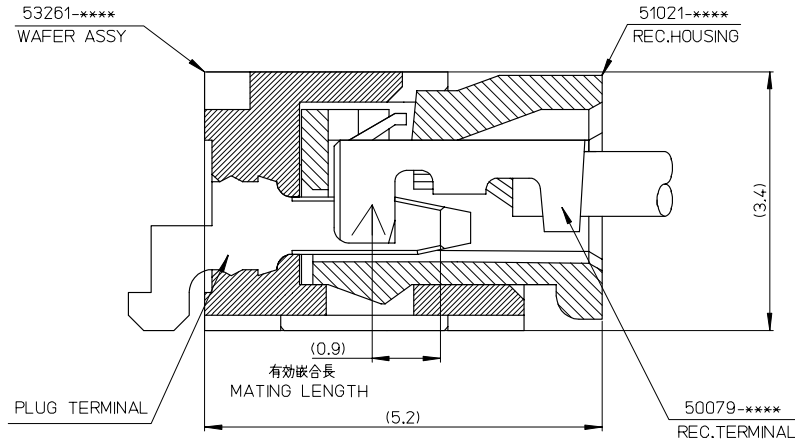
E

D

C

B

A



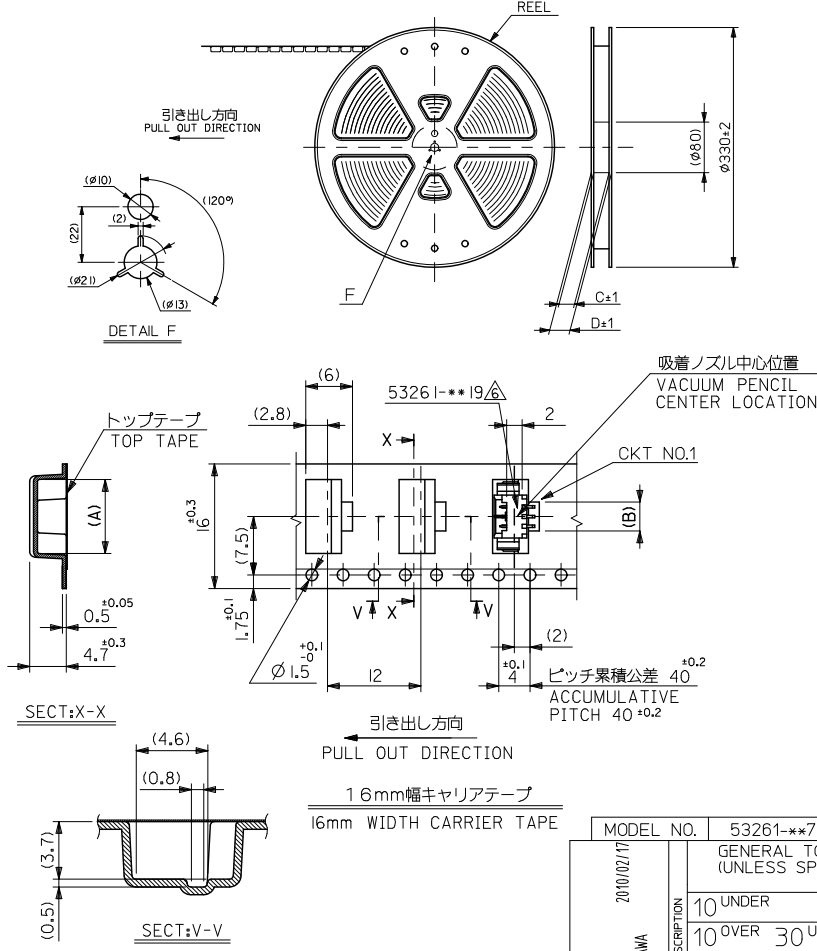
| | | |
|------------|------------|------------------------|
| 53261-**** | WAFER ASSY | MODEL NO./MATERIAL NO. |
| 50079-**** | TERMINAL | |
| 51021-**** | HOUSING | |

| | | | | | | | |
|--|---------------------------------------|--|----------------------------|--|---|------------------------|---------------------------|
| RELEASED EC NO: J2006-2426 DRWN: YAOYAGI CHKD: YMAEDA APPR: NUKITA | GENERAL TOLERANCES (UNLESS SPECIFIED) | | DIMENSION STYLE MM ONLY | | SCALE --- | DESIGN UNITS METRIC | THIRD ANGLE PROJECTION |
| | 10 UNDER | ± --- | DRAWN BY Y. AOYAGI | DATE 2006/01/30 | TITLE 1.25 W-T0-B CONN. 51021,53261 MATING CROSS SECTION | | |
| | 10 OVER 30 UNDER | ± --- | CHECKED BY Y. MAEDA | DATE 2006/01/30 | MOLEX INCORPORATED | | |
| | 30 OVER | ± --- | APPROVED BY N. UKITA | DATE 2006/01/30 | DOCUMENT NO. SD-51021-002 | | |
| | ANGULAR | ± --- ° | MATERIAL NO. SEE CHART | | SHEET NO. 1 OF 1 | | |
| 0 | DESCRIPTION | DRAFT WHERE APPLICABLE MUST REMAIN WITHIN DIMENSIONS | | THIS DRAWING CONTAINS INFORMATION THAT IS PROPRIETARY TO MOLEX INCORPORATED AND SHOULD NOT BE USED WITHOUT WRITTEN PERMISSION | | | |

fb_frame_A3_1_ME_S
Rev. D 2004/04/02

9 8 7 6 5 4 3 2 1 EN-02JA(021)

10 9 8 7 6 5 4 3 2 1



注記 NOTES

- 53261-**-19 の詳細寸法については図面 SD-53261-024 を参照下さい。
RE DETAILED DIMENSIONS, SEE SD-53261-024
- 梱包数量: 1000個/リール
NUMBER OF CONNECTOR: 1000PCS/REEL
- リードテープ長さ LEAD TAPE LENGTH

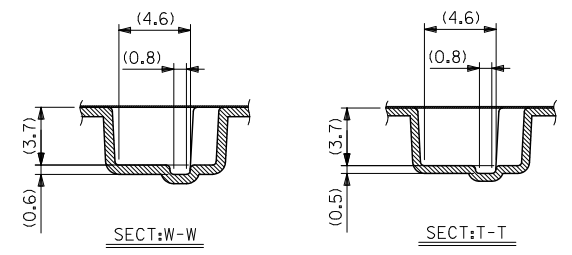
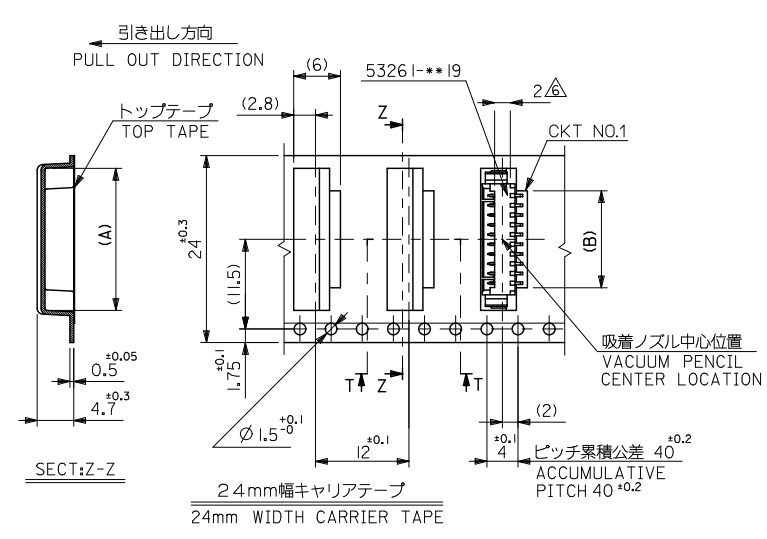
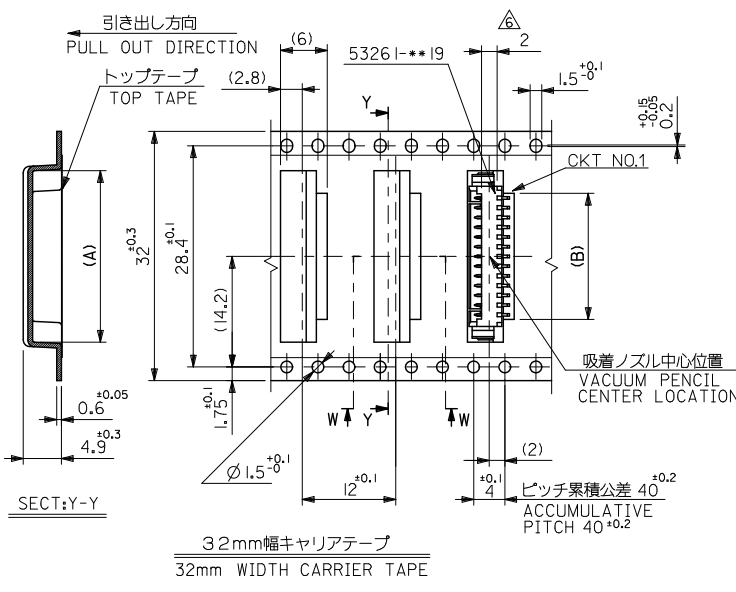
| | |
|-------------------------------------|--|
| トップテープリーダー部 TOP TAPE LEADER PART | トップテープ未接着部 TOP TAPE NON-BONDED PART |
| 175 ⁺²⁵ | 25 ⁺⁵ |

- 材料 (MATERIAL)
 キャリアテープ (CARRIER TAPE): ポリプロピレン (POLYPROPYLENE)
 トップテープ (TOP TAPE): PET, PE, PEF
 リール (REEL): ポリスチレン (PS) <リサイクル材含む>
 POLYSTYRENE (PS) <RECYCLE MATERIAL CONTAINED>
- コネクタ、ハウジング平面部
CONNECTOR, HOUSING FLAT AREA
- 本製品は 53261-**-90 の鉛フリー品である。
THIS PRODUCT IS LEAD FREE OF 53261-**-90
- ELV 及び RoHS 適合品
ELV AND RoHS COMPLIANT
- 本製品は乾燥剤入り、ハイバリア梱包仕様である。
THIS PRODUCT IS HIGH BARRIER PACKAGE WITH DESICCANT.

| | | | | | | |
|--------------------------------|------|------|------|------|---|------------|
| 16 | 21.4 | 17.4 | 3.7 | 9.5 | 53261-0371 | 3 |
| | | | 2.45 | 8.25 | 53261-0271 | 2 |
| キャリアテープ幅 CARRIER TAPE WIDTH | D | C | B | A | EMBOSSED TAPE PACKAGE オーダー番号 ORDER NO. | 種数 CKT. |

| | | | | | | |
|-----------|--------------|--|----------------------------|---|--|------------------------|
| MODEL NO. | 53261-**-71 | GENERAL TOLERANCES (UNLESS SPECIFIED) | DIMENSION STYLE MM ONLY | SCALE --- | DESIGN UNITS METRIC | THIRD ANGLE PROJECTION |
| REVISED | 2010/02/17 | 10 UNDER ±0.2 | DRAWN BY H. SHIMABUKUR | DATE '04/02/06 | TITLE 1.25 W/B CONN WAFER ASSY FOR SMT EMBSTP PKG | |
| EC NO: | D | 10 OVER 30 UNDER ±0.25 | CHECKED BY K. TOJO | DATE '04/02/06 | MOLEX INCORPORATED | |
| DRWNGOTO | CHYDKASAKANA | 30 OVER ±0.3 | APPROVED BY NUKITA | DATE 2010/02/18 | DOCUMENT NO. | SHEET NO. |
| APPR: | | ANGULAR ±3° | MATERIAL NO. | SEE TABLE & SHEET 2,3 | SD-53261-023 | 1 OF 3 |
| REV: | | DRAFT WHERE APPLICABLE MUST REMAIN WITHIN DIMENSIONS | SIZE | THIS DRAWING CONTAINS INFORMATION THAT IS PROPRIETARY TO MOLEX INCORPORATED AND SHOULD NOT BE USED WITHOUT WRITTEN PERMISSION | | |

10 9 8 7 6 5 4 3 2 1

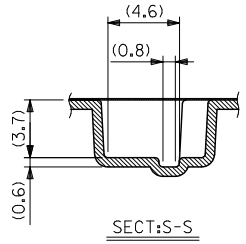
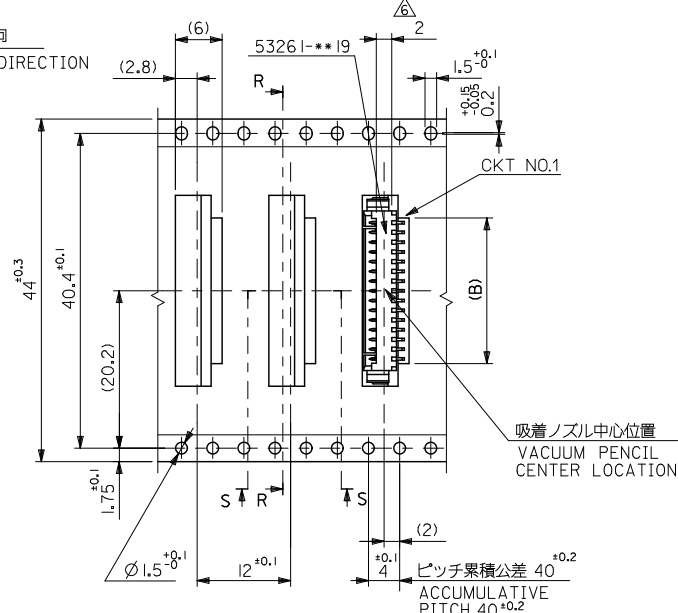
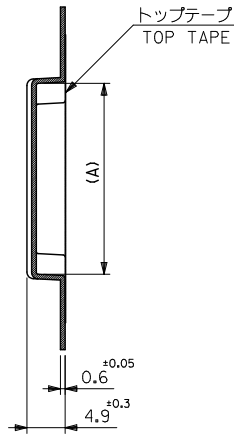


| | | | | | | |
|----|------|------|-------|-------|------------|-------|
| 32 | 37.4 | 33.4 | 16.2 | 22 | 53261-1371 | 13 |
| | | | 14.95 | 20.75 | | -1271 |
| 24 | 29.4 | 25.4 | 13.7 | 19.5 | -1171 | 11 |
| | | | 12.45 | 18.25 | -1071 | 10 |
| | | | 11.2 | 17 | -0971 | 9 |
| | | | 9.95 | 15.75 | -0871 | 8 |
| | | | 8.7 | 14.5 | -0771 | 7 |
| | | | 7.45 | 13.25 | -0671 | 6 |
| | | | 6.2 | 12 | -0571 | 5 |
| | | | 4.95 | 10.75 | 53261-0471 | 4 |

| | | | | | | | | |
|-----------|--------------|--|----------------------------|--|-------|------------------------|---|------------|
| MODEL NO. | 53261-***71 | キャリアテープ幅 CARRIER TAPE WIDTH | D | C | B | A | EMBOSSED TAPE PACKAGE オーダー番号 ORDER NO. | 極数 CKT. |
| REVISED | 2010/02/17 | GENERAL TOLERANCES (UNLESS SPECIFIED) | DIMENSION STYLE MM ONLY | | SCALE | DESIGN UNITS METRIC | THIRD ANGLE PROJECTION | |
| EC NO: | D | 10 UNDER ±0.2 | DRAWN BY | H. SHIMABUKUR | DATE | '04/02/06 | TITLE 1.25 W/B CONN WAFER ASSY FOR SMT EMBSTP PKG | |
| DRWNGO | CHYDKASAKANA | 10 OVER 30 UNDER ±0.25 | CHECKED BY | K. TOJO | DATE | '04/02/06 | MOLEX INCORPORATED | |
| APPR: | | 30 OVER ±0.3 | APPROVED BY | NUKITA | DATE | 2010/02/18 | DOCUMENT NO. SD-53261-023 | |
| REV | | ANGULAR ±3° | MATERIAL NO. | SEE TABLE & SHEET 1,3 | | SHEET NO. 2 OF 3 | | |
| | | DRAFT WHERE APPLICABLE MUST REMAIN WITHIN DIMENSIONS | SIZE | THIS DRAWING CONTAINS INFORMATION THAT IS PROPRIETARY TO MOLEX INCORPORATED AND SHOULD NOT BE USED WITHOUT WRITTEN PERMISSION | | | | |

10 9 8 7 6 5 4 3 2 1

引き出し方向
PULL OUT DIRECTION



| | | | | | | | | |
|--------------|-------------|--|-----------------------|-------------------------|-----------|---|--------------|------------------------|
| MODEL NO. | 53261-**-71 | 44 | 49.4 | 45.4 | 18.7 | 24.5 | 53261-1571 | 15 |
| | | キャリアテープ幅 CARRIER TAPE WIDTH | D | C | B | A | 53261-1471 | 14 |
| | | | EMBOSSED TAPE PACKAGE | | 極数 | | | |
| | | | オーダー番号 | | ORDER NO. | | | CKT. |
| REVISED | DESCRIPTION | GENERAL TOLERANCES (UNLESS SPECIFIED) | | DIMENSION STYLE | | SCALE | DESIGN UNITS | THIRD ANGLE PROJECTION |
| EC NO: | 2010/02/17 | 10 UNDER ±0.2 | | MM ONLY | | --- | METRIC | |
| DRWNGOTO | 2010/02/17 | 10 OVER 30 UNDER ±0.25 | | DRAWN BY DATE | | TITLE | | |
| CHKDKASAKAMA | 2010/02/17 | 30 OVER ±0.3 | | H. SHIMABUKUR '04/02/06 | | 1.25 W/B CONN WAFER ASSY FOR SMT EMBSTP PKG | | |
| APPR: | | ANGULAR ±3 ° | | CHECKED BY DATE | | MOLEX INCORPORATED | | |
| REV: | | DRAFT WHERE APPLICABLE MUST REMAIN WITHIN DIMENSIONS | | K. TOJO '04/02/06 | | SD-53261-023 | | |
| | | | | APPROVED BY DATE | | DOCUMENT NO. | | |
| | | | | NUKITA 2010/02/18 | | SHEET NO. | | |
| | | | | MATERIAL NO. | | 3 OF 3 | | |
| | | | | SEE TABLE & SHEET 12 | | | | |
| | | | | SIZE | | | | |
| | | | | A3 | | | | |

