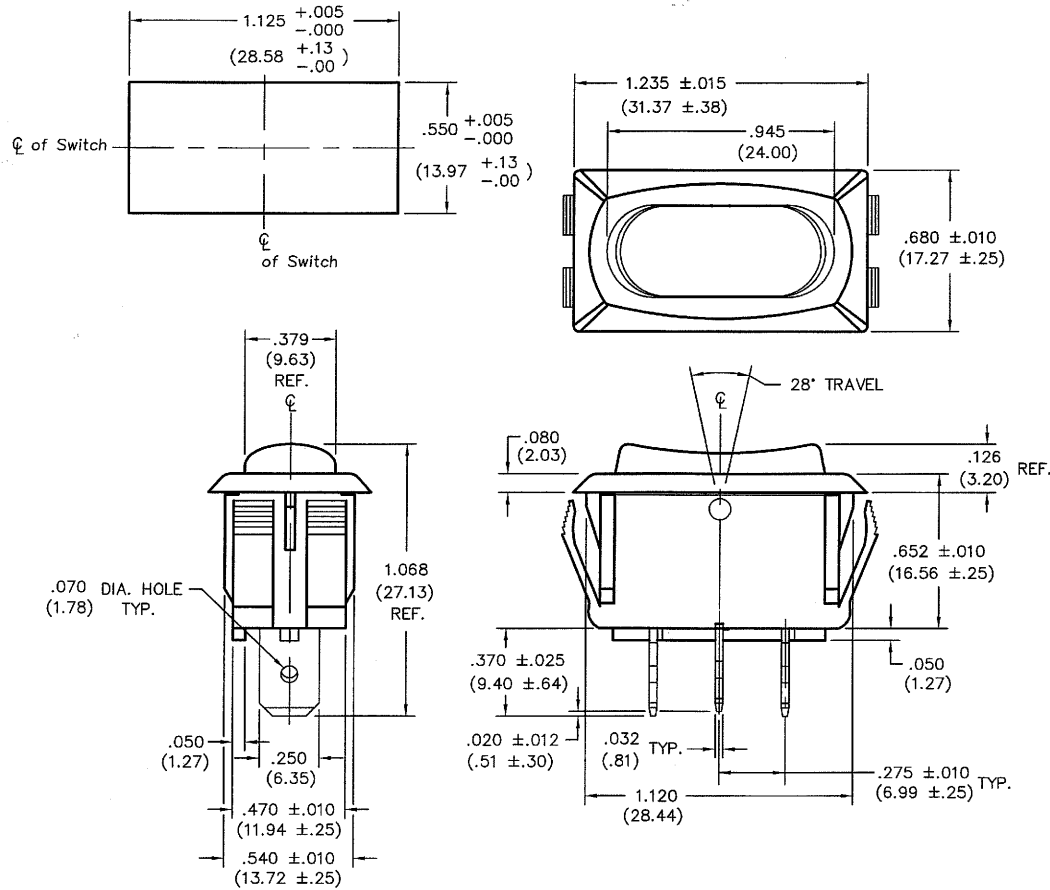


DIMENSIONS IN INCHES (MILLIMETERS)  
DO NOT SCALE DRAWING .....

Dwg. No.

GRS-2013A-2400 & -2401

**PANEL PIERCING**



P/N	MATERIAL COLOR
GRS-2013A	
-2400	Button- Black BK-000 Housing- Black BK-000
-2401	Button- White WT-913 Housing- White WT-913

FORM-B4	<b>REVISIONS</b>	0	RELEASED: 3-30-2001 DGW May 03, 2001 REDRAWN FOR CLARITY: ADDED P/N CHART & -2401 TO DWG. NO. DGW 8-11-2008 <b>GG AUG 15, 2008</b>	<table border="1"> <tr> <td colspan="2"><b>CW INDUSTRIES</b></td> <td rowspan="2">Title: <b>ROCKER SWITCH ASSY.- CENTER OFF STYLE LINE</b></td> </tr> <tr> <td colspan="2">Southampton, Pa. 18966</td> </tr> <tr> <td colspan="3">TOLERANCES UNLESS OTHERWISE SPECIFIED</td> </tr> <tr> <td>2 Place Decimal <math>\pm .010</math></td> <td>METRIC</td> <td rowspan="2">1.125" x .550" PANEL</td> </tr> <tr> <td>3 Place Decimal <math>\pm .005</math></td> <td>1 Place Dec. <math>\pm .25</math>mm</td> </tr> <tr> <td>Angles <math>\pm 1^\circ</math></td> <td>2 Place Dec. <math>\pm .13</math>mm</td> <td></td> </tr> <tr> <td>Made for: CW IND.</td> <td>Division: <b>SWITCH</b></td> <td></td> </tr> <tr> <td>Drawn by: DGW 3-30-2001</td> <td>Dwg. No. <b>GRS-2013A-2400 &amp; -2401</b></td> <td></td> </tr> <tr> <td>Checked by: <i>G. Guld 8-15-08</i></td> <td></td> <td></td> </tr> <tr> <td>Approval: <i>G. Guld 8-15-08</i></td> <td></td> <td></td> </tr> </table>	<b>CW INDUSTRIES</b>		Title: <b>ROCKER SWITCH ASSY.- CENTER OFF STYLE LINE</b>	Southampton, Pa. 18966		TOLERANCES UNLESS OTHERWISE SPECIFIED			2 Place Decimal $\pm .010$	METRIC	1.125" x .550" PANEL	3 Place Decimal $\pm .005$	1 Place Dec. $\pm .25$ mm	Angles $\pm 1^\circ$	2 Place Dec. $\pm .13$ mm		Made for: CW IND.	Division: <b>SWITCH</b>		Drawn by: DGW 3-30-2001	Dwg. No. <b>GRS-2013A-2400 &amp; -2401</b>		Checked by: <i>G. Guld 8-15-08</i>			Approval: <i>G. Guld 8-15-08</i>		
	<b>CW INDUSTRIES</b>				Title: <b>ROCKER SWITCH ASSY.- CENTER OFF STYLE LINE</b>																											
	Southampton, Pa. 18966																															
	TOLERANCES UNLESS OTHERWISE SPECIFIED																															
2 Place Decimal $\pm .010$	METRIC	1.125" x .550" PANEL																														
3 Place Decimal $\pm .005$	1 Place Dec. $\pm .25$ mm																															
Angles $\pm 1^\circ$	2 Place Dec. $\pm .13$ mm																															
Made for: CW IND.	Division: <b>SWITCH</b>																															
Drawn by: DGW 3-30-2001	Dwg. No. <b>GRS-2013A-2400 &amp; -2401</b>																															
Checked by: <i>G. Guld 8-15-08</i>																																
Approval: <i>G. Guld 8-15-08</i>																																

**MASTER**

# Mouser Electronics

Authorized Distributor

Click to View Pricing, Inventory, Delivery & Lifecycle Information:

[CW Industries:](#)

[GRS-2013A-2401](#) [GRS-2013A-2400](#)