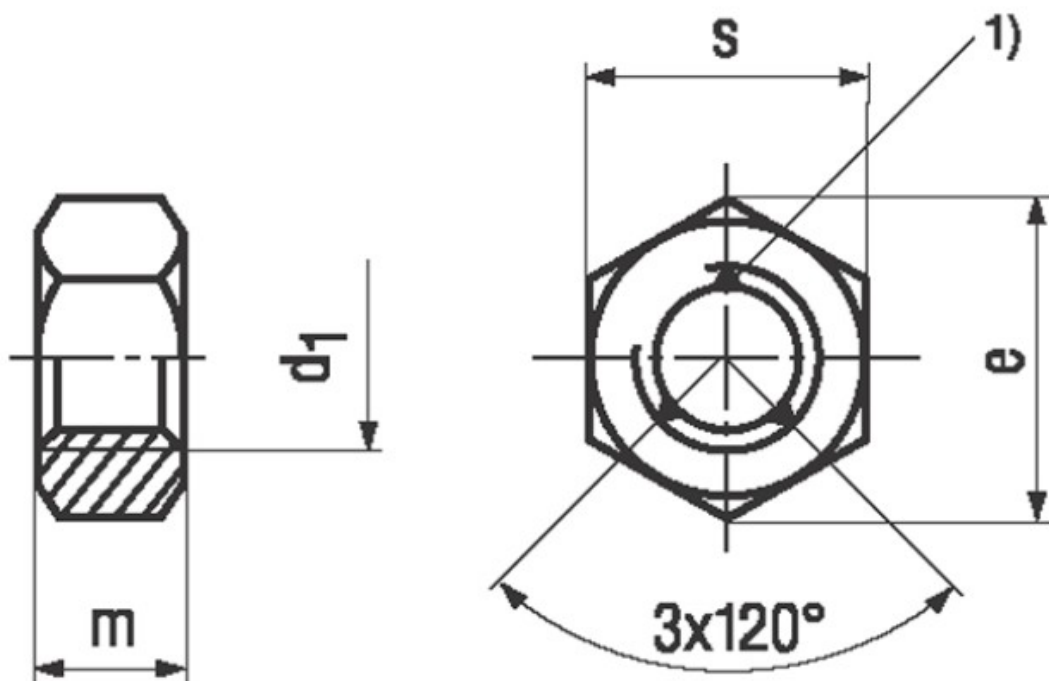


BN 5242 - ~DIN 980 V

Prevailing torque type hexagon lock nuts
all metal

~DIN 980 V



Material	Stainless steel	Quality	A2
----------	-----------------	---------	----

Article No. - 3060922

d_1	M4
m max.	3,2
s	7
e min.	7,66

1) 3 pressure points on one side