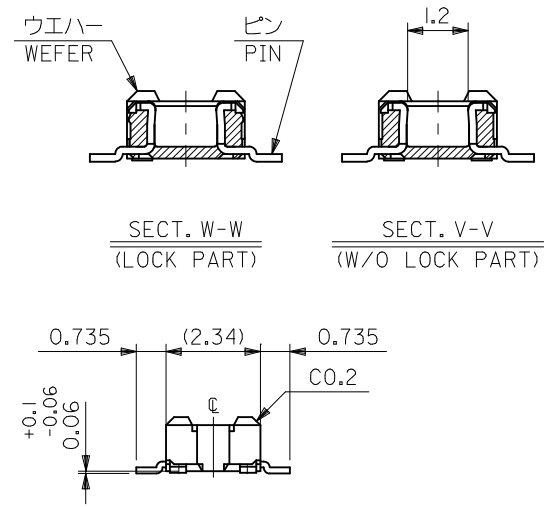
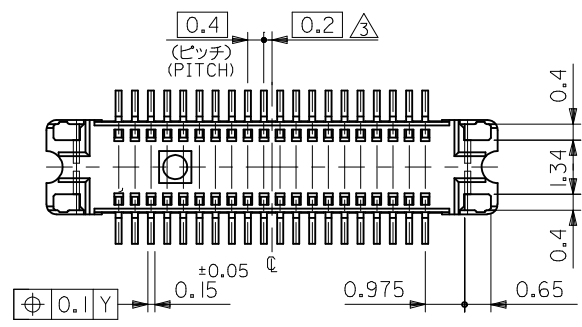


POSITION LOCK 123 --- --- N-2N-IN

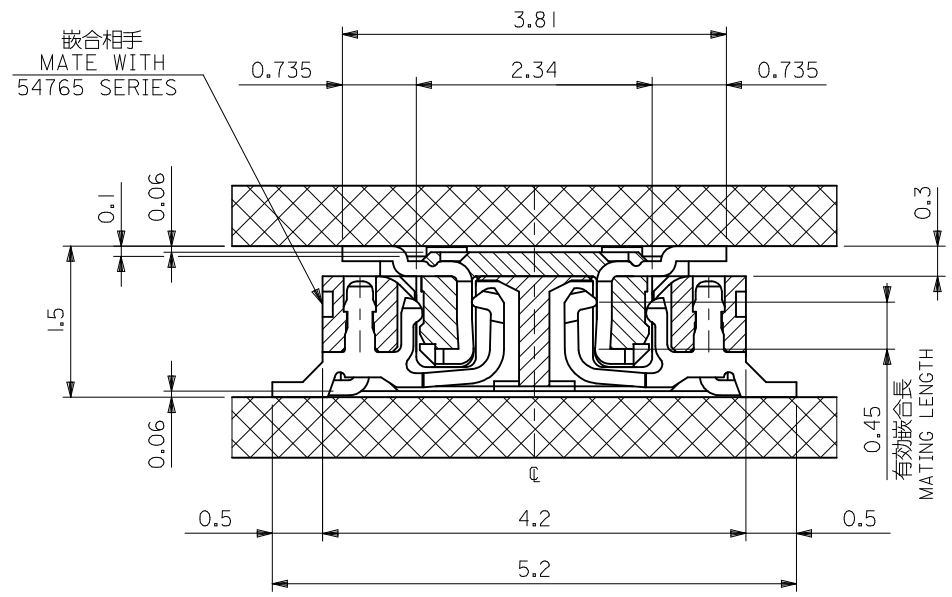


注記 NOTES

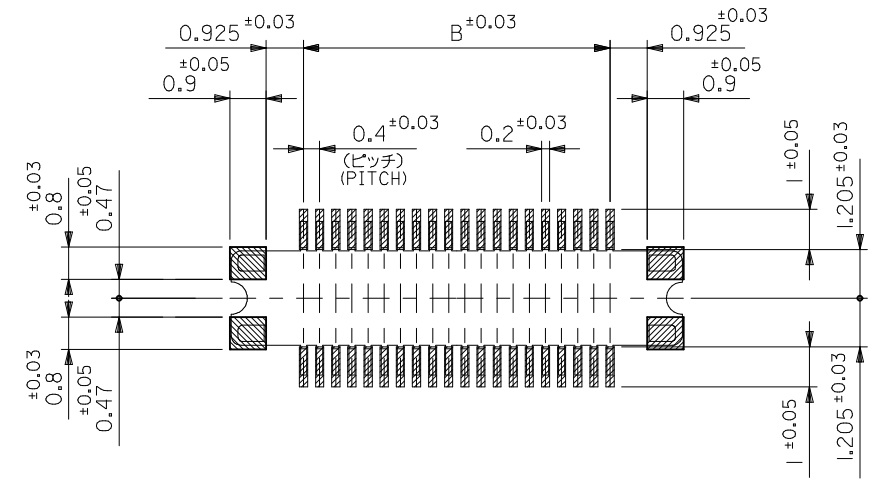
1. 使用材料 MATERIAL
 ウエハー: 液晶ポリマー ガラス充填 UL94V-0 (黒)
 WAFER: LIQUID CRYSTAL POLYMER (GLASS FILLED)
 UL94V-0 (COLOR: BLACK)
 ピン: 黄銅 (t=0.15)
 PIN: BRASS (t=0.15)
 金具: リン青銅 (t=0.15)
 FITTING NAIL: PHOSPHOR BRONZE (t=0.15)
 2. メッキ仕様 PLATING
 ピン PIN
 金メッキ 0.25マイクロメートル以上 (コンタクト部)
 GOLD 0.25MICROMETER MINIMUM (CONTACT AREA)
 金メッキ 0.4マイクロメートル以下 (テール部)
 GOLD 0.4MICROMETER MAXIMUM (TAIL AREA)
 下地メッキ: ニッケルメッキ 1.5マイクロメートル以上
 UNDER PLATING: NICKEL 1.5MICROMETER MINIMUM
 金具 FITTING NAIL
 半田メッキ 3.0マイクロメートル以上
 Sn-Pb 3.0MICROMETER MINIMUM
 下地メッキ: 銅メッキ 1.0マイクロメートル以上
 UNDER PLATING: Cu 1.0MICROMETER MINIMUM
- ④ (全極数/2) = 偶数の場合に適用。
 APPLY FOR (CIRCUIT/2)=EVEN
4. 嵌合相手: 54765 シリーズ
 MATE WITH : 54765 SERIES.
 5. テール平坦度は、0.08以下
 テール及び金具の平坦度は、0.1以下
 TAIL COPLANARITY TO BE 0.08MAXIMUM.
 TAIL AND FITTING NAIL
 COPLANARITY TO BE 0.1 MAXIMUM.
- ④ 24極のみ、MXJトレードマークの向きが逆となる。
 FOR 24 CIRCUIT, MXJ TRADE MARK IS REVERSED.

| | | | | |
|-------------------------------------|------------|-------|--------------|-----|
| NONE | 15.6 | 19.19 | 55604-0805 | 80 |
| | 13.6 | 17.19 | 55604-0705 | 70 |
| 6,7,8,9,10,11,12,13,14,15,16,17 | 8.4 | 11.99 | 55604-0445 | 44 |
| 2,4,6,7,8,9,10,11,12,13,14,15,17,19 | 7.6 | 11.19 | 55604-0405 | 40 |
| ALL | 4.4 | 7.99 | 55604-0245 | 24 |
| | 4.0 | 7.59 | 55604-0225 | 22 |
| LOCK POSITION | B | A | MATERIAL NO. | Ck+ |
| MODEL NO. | 55604-***5 | | | |

| | | | | | | | | | | |
|--|---------------------------------------|--------------|----------------------------|---|---|--------------|------------------------|--------|------------------------|--|
| REVISED EC NO: J2009-0228 DRWN: YOSHIDAM 2008/08/07 CHKD: THARUYAMA 2008/08/07 APPR: NUKITA 2008/12/17 | GENERAL TOLERANCES (UNLESS SPECIFIED) | | DIMENSION STYLE MM ONLY | | SCALE --- | | DESIGN UNITS METRIC | | THIRD ANGLE PROJECTION | |
| | 10 UNDER | ±0.2 | DRAWN BY | DATE | TITLE | | | | | |
| | 10 OVER 30 UNDER | ±0.25 | R. TAKEUCHI | '01/01/15 | 0.4 B-TO-B PLUG 0/M W/GDE W/O BOSS HGT=1.5 | | | | | |
| | 30 OVER | ±0.3 | T. ITO | '02/10/28 | | | | | | |
| | ANGULAR ±3 ° | | APPROVED BY | DATE | MOLEX MOLEX INCORPORATED | | DOCUMENT NO. | | SHEET NO. | |
| DRAFT WHERE APPLICABLE MUST REMAIN WITHIN DIMENSIONS | | T. YAMAGUCHI | '02/10/28 | SEE TABLE | | SD-55604-008 | | 1 OF 2 | | |
| | | MATERIAL NO. | | THIS DRAWING CONTAINS INFORMATION THAT IS PROPRIETARY TO MOLEX INCORPORATED AND SHOULD NOT BE USED WITHOUT WRITTEN PERMISSION | | | | | | |

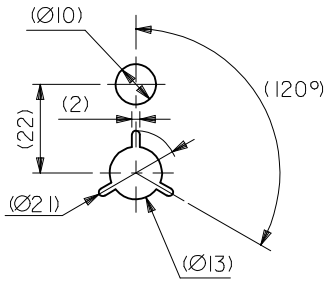
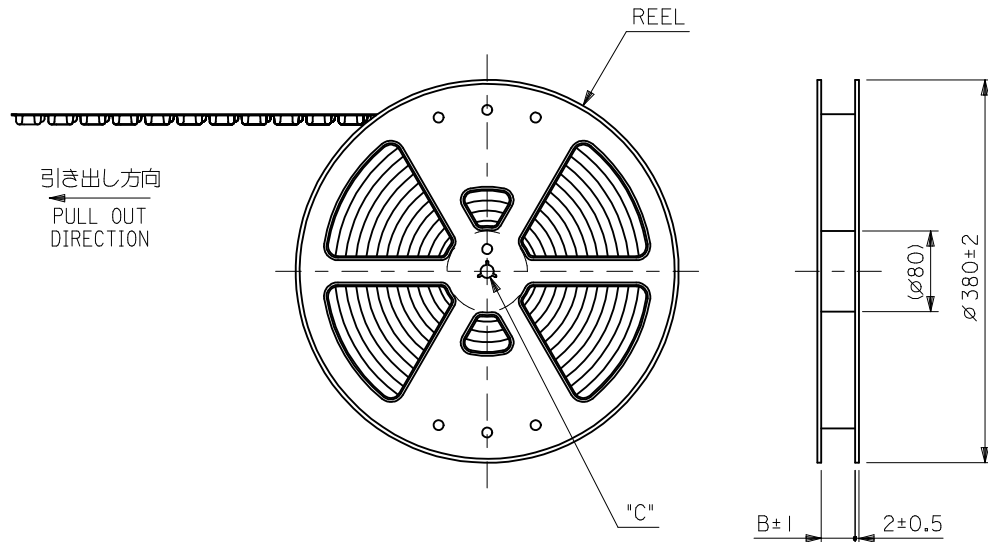


嵌合断面図 (参考)
MATED DRAWING (REFERENCE)



参考基板レイアウト (マウント面)
P.C.BOARD PATTERN DIMENSION. (REFERENCE)
(MOUNTING AREA)

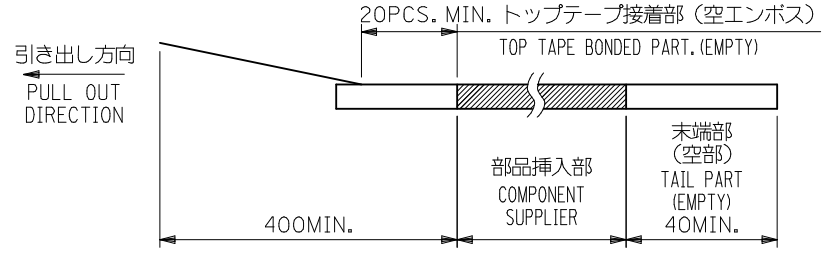
| | | | | | | | |
|--|---------------------------------------|-----------------|--|-------------------|--|------------------------|-------------------------|
| REVISED EC NO: J2009-0228 DRWN: YOSHIDAM 2008/08/07 CHKD: THARUYAMA 2008/08/07 APPR: NUKITA 2008/12/17 | GENERAL TOLERANCES (UNLESS SPECIFIED) | | DIMENSION STYLE MM ONLY | | SCALE --- | DESIGN UNITS METRIC | MODEL NO. 55604-***5 |
| | 10 UNDER | ± --- | DRAWN BY R. TAKEUCHI | DATE '01/01/15 | TITLE 0.4 B-TO-B PLUG 0/M W/GDE W/O BOSS HGT=1.5 | | |
| | 10 OVER 30 UNDER | ± --- | CHECKED BY T. ITO | DATE '02/10/28 | MATERIAL NO. SEE TABLE | | |
| | 30 OVER | ± --- | APPROVED BY T. YAMAGUCHI | DATE '02/10/28 | DOCUMENT NO. SD-55604-008 | | |
| REV | DESCRIPTION | ANGULAR ± --- ° | DRAFT WHERE APPLICABLE MUST REMAIN WITHIN DIMENSIONS | | SHEET NO. 2 OF 2 | | |



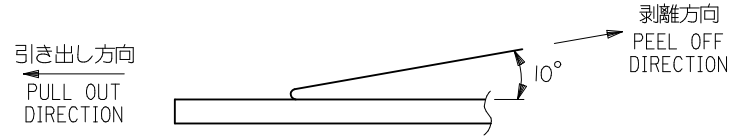
DETAIL "C"

注記 NOTES

- 製品詳細寸法については図面 SD-55604-008を参照下さい。
RE DETAILED DIMENSION, SEE SD-55604-008
- 梱包数量：2500個/リール
NUMBER OF CONNECTORS : 2500PCS/REEL
- リードテープ長さ LEAD TAPE LENGTH

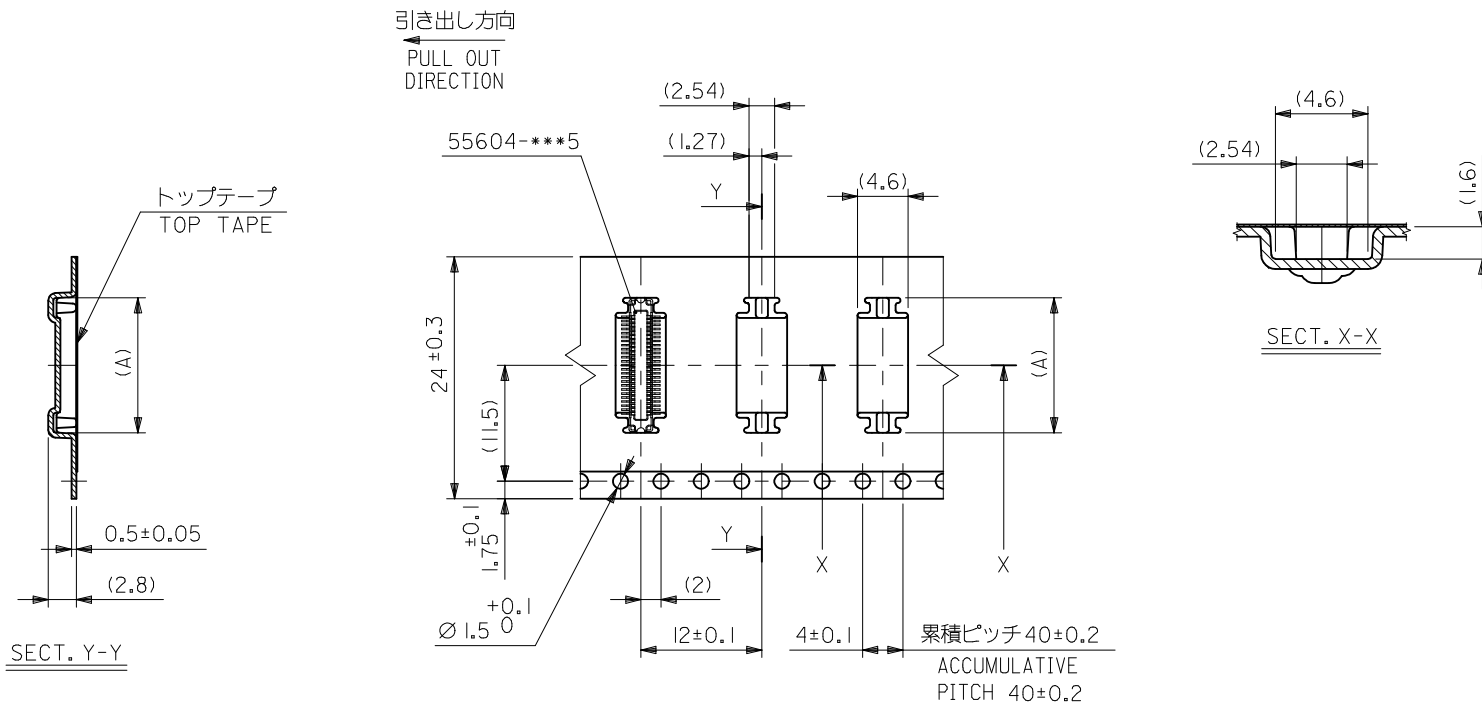


- トップテープの剥離強度：0.1N ~ 0.7N(10.2gf ~ 71.4gf)
(剥離方向は下図参照)
尚、本規格値は出荷時に適用。(但し、輸送時に剥離が発生しないこと。)
PEELING OFF FORCE OF TOP TAPE : 0.1N ~ 0.7N(10.2gf ~ 71.4gf)
(PEELING DIRECTION AS SHOWN IN FOLLOWING FIG.)
THIS REQUIREMENT SHOULD BE APPLIED AT SHIPMENT.
PEEL OFF SHOULD NOT BE ALLOWED , DURING TRANSPORTATION.



- 材料 MATERIAL
キャリアテープ (CARRIER TAPE) : ポリプロピレン (POLYPROPYLENE)
トップテープ (TOPTAPE) : PET , PE , PEF
リール (REEL) : ポリスチレン (P S) <リサイクル材を含む>
POLYSTYRENE (PS) <RECYCLE MATERIAL CONTAINED>

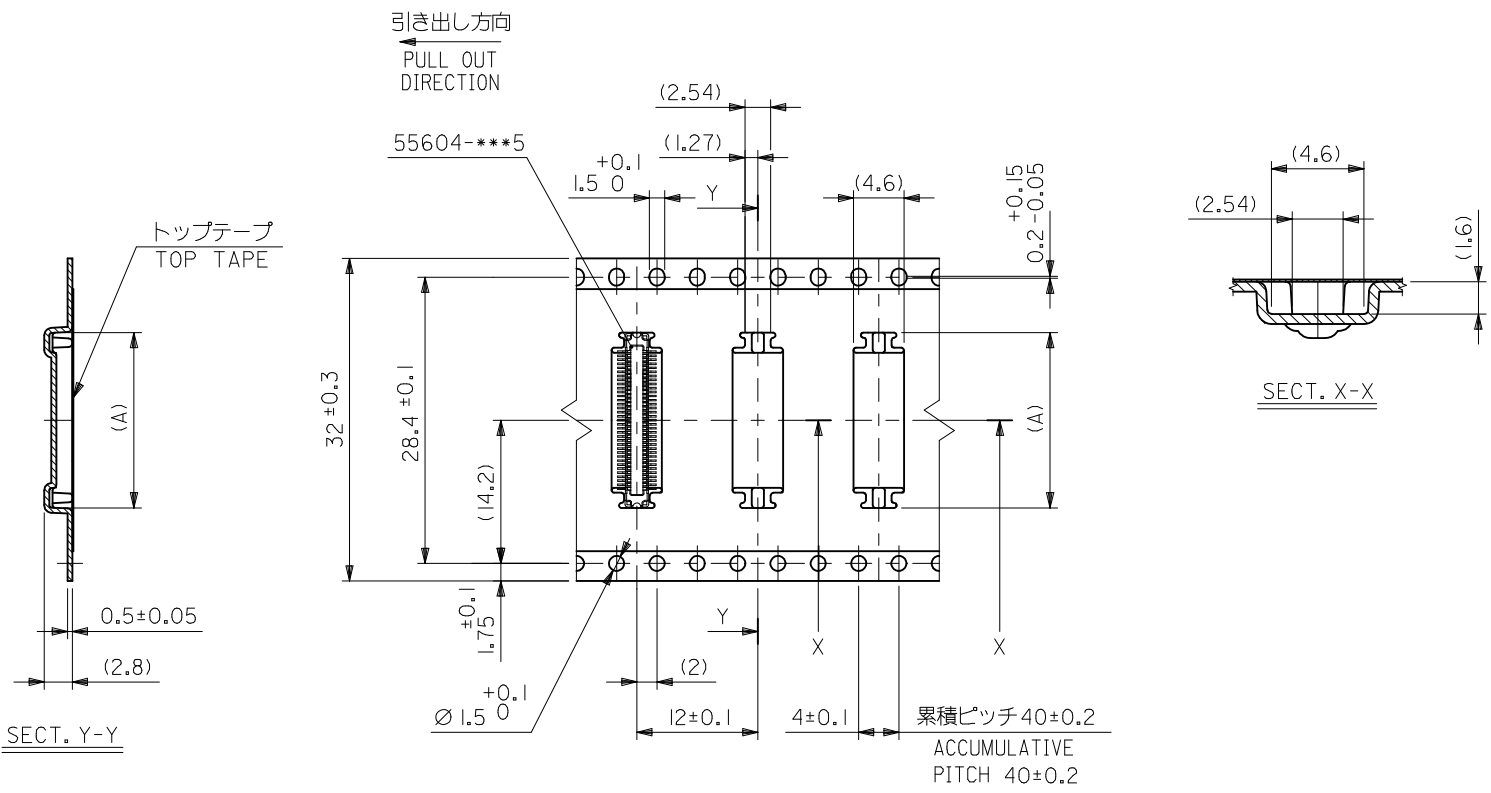
| | | | | | | | | |
|--|---------------------------------------|---|-----------------------------|-------------------|---|------------------------|-------------------------|------------------------|
| REVISED EC NO: J2009-0228 DRWN: YOSHIDAM 2008/08/07 CHKD: THARUYAMA 2008/08/07 APPR: NUKITA 2008/12/17 | GENERAL TOLERANCES (UNLESS SPECIFIED) | | DIMENSION STYLE MM ONLY | | SCALE --- | DESIGN UNITS METRIC | MODEL NO. 55604-***6 | THIRD ANGLE PROJECTION |
| | 10 UNDER | ±0.2 | DRAWN BY R. TAKEUCHI | DATE '01/01/15 | TITLE 0.4 B-T-O-B PLUG 0/M W/GDE HGT=1.5 EMBSTP PKG | | | |
| | 10 OVER 30 UNDER | ±0.25 | CHECKED BY T. ITO | DATE '02/07/01 | MOLEX INCORPORATED | | | |
| | 30 OVER | ±0.3 | APPROVED BY T. YAMAGUCHI | DATE '02/07/01 | DOCUMENT NO. SD-55604-009 | SHEET NO. 1 OF 3 | | |
| | ANGULAR ±3 ° | DRAFT WHERE APPLICABLE MUST REMAIN WITHIN DIMENSIONS | | SEE TABLE | | | | |
| | | THIS DRAWING CONTAINS INFORMATION THAT IS PROPRIETARY TO MOLEX INCORPORATED AND SHOULD NOT BE USED WITHOUT WRITTEN PERMISSION | | | | | | |



24mm幅キャリアテープ
24mm WIDTH CARRIER TAPE

| | | | | |
|--------------------------------|------|-------|--------------|-----------|
| 24 | 25.5 | 13.39 | 55604-0506 | 50 |
| キャリアテープ幅 CARRIER TAPE WIDTH | B | (A) | MATERIAL NO. | 極数 CKT |
| MODEL NO. 55604-***6 | | | | |

| | | | | | | | |
|--|---------------------------------------|--|-----------------------------|---|--|------------------------|------------------------|
| REVISED EC NO: J2009-0228 DRWN: YOSHIDAM 2008/08/07 CHKD: THARUYAMA 2008/08/07 APPR: NUKITA 2008/12/17 | GENERAL TOLERANCES (UNLESS SPECIFIED) | | DIMENSION STYLE MM ONLY | | SCALE --- | DESIGN UNITS METRIC | THIRD ANGLE PROJECTION |
| | 10 UNDER | ±0.2 | DRAWN BY R. TAKEUCHI | DATE '01/01/15 | TITLE 0.4 B-T0-B PLUG 0/M W/GDE HGT=1.5 EMBSTP PKG | | |
| | 10 OVER 30 UNDER | ±0.25 | CHECKED BY T. ITO | DATE '02/07/01 | MOLEX INCORPORATED | | |
| | 30 OVER | ±0.3 | APPROVED BY T. YAMAGUCHI | DATE '02/07/01 | DOCUMENT NO. SD-55604-009 | | |
| | ANGULAR ±3 ° | DRAFT WHERE APPLICABLE MUST REMAIN WITHIN DIMENSIONS | | SEE TABLE | | SHEET NO. 2 OF 3 | |
| | | | | THIS DRAWING CONTAINS INFORMATION THAT IS PROPRIETARY TO MOLEX INCORPORATED AND SHOULD NOT BE USED WITHOUT WRITTEN PERMISSION | | | |



32mm幅キャリアテープ
32mm WIDTH CARRIER TAPE

| | | | | |
|--------------------------------|------|-------|--------------|-----------|
| 32 | 33.5 | 19.39 | 55604-0806 | 80 |
| | | 17.39 | 55604-0706 | 70 |
| キャリアテープ幅 CARRIER TAPE WIDTH | B | (A) | MATERIAL NO. | 極数 CKT |
| MODEL NO. 55604-***6 | | | | |

| | | | | | | | | | | |
|--|---------------------------------------|--|-----------------------------|---------------------------|---|---------------------|------------------------|---|------------------------|--|
| REVISED EC NO: J2009-0228 DRWN: YOSHIDAM 2008/08/07 CHKD: THARUYAMA 2008/08/07 APPR: NUKITA 2008/12/17 | GENERAL TOLERANCES (UNLESS SPECIFIED) | | DIMENSION STYLE MM ONLY | | SCALE --- | | DESIGN UNITS METRIC | | THIRD ANGLE PROJECTION | |
| | 10 UNDER | ±0.2 | DRAWN BY T. TSUBOI | DATE '01/07/23 | TITLE 0.4 B-T-O-B PLUG ASSY W/GDE (HGT=1.5) EMBSTP PKG | | | | | |
| | 10 OVER 30 UNDER | ±0.25 | CHECKED BY T. ITO | DATE '02/07/01 | MOLEX INCORPORATED | | | | | |
| | 30 OVER | ±0.3 | APPROVED BY T. YAMAGUCHI | DATE '02/07/01 | DOCUMENT NO. SD-55604-009 | | | | | |
| | ANGULAR ±3 ° | DRAFT WHERE APPLICABLE MUST REMAIN WITHIN DIMENSIONS | | MATERIAL NO. SEE TABLE | | SHEET NO. 3 OF 3 | | THIS DRAWING CONTAINS INFORMATION THAT IS PROPRIETARY TO MOLEX INCORPORATED AND SHOULD NOT BE USED WITHOUT WRITTEN PERMISSION | | |