

10 9 8 7 6 5 4 3 2 1

F

E

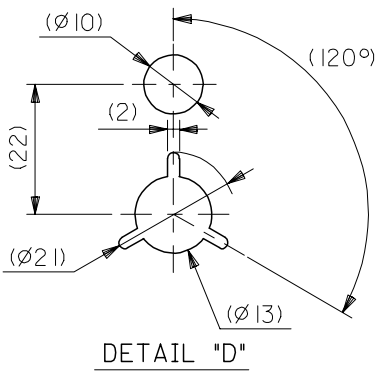
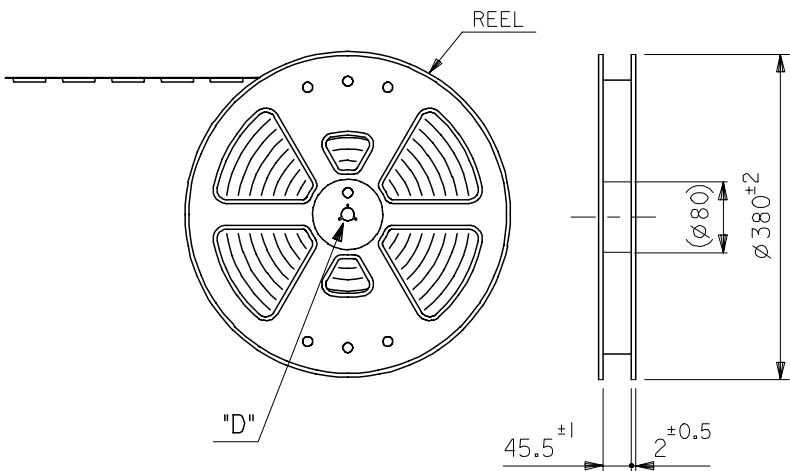
D

C

B

A

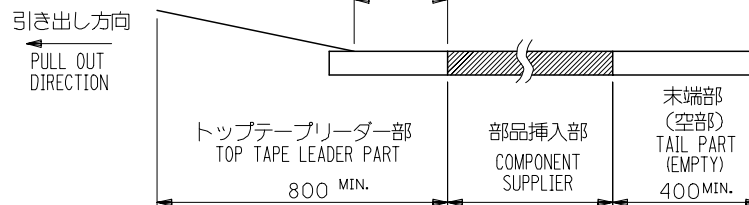
引き出し方向  
PULL OUT DIRECTION



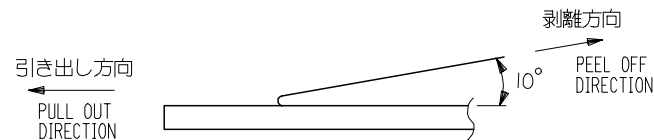
NOTES

- 製品詳細寸法については、SD図面を参照下さい。  
RE DETAILED DIMENSION, SEE SALES DRAWING.
- 梱包数量：500個/リール  
NUMBER OF CONNECTORS : 500PCS/REEL
- リードテープ長さ LEAD TAPE LENGTH

トップテープ接着部 (空エンボス)  
TOP TAPE BONDED PART.(EMPTY)



- トップテープの剥離強度：0.1N～1.3N (10.2gf～130gf) (剥離方向は下図参照) 尚、本規格値は出荷時に適用。(但し、輸送時に剥離が発生しないこと。)  
PEELING OFF FORCE OF TOP TAPE : 0.1N～1.3N (10.2gf～130gf)  
(PEELING DIRECTION AS SHOWN IN FOLLOWING FIG.)  
THIS REQUIREMENT SHOULD BE APPLIED AT SHIPMENT.  
PEEL OFF SHOULD NOT BE ALLOWED , DURING TRANSPORTATION.



- 材料 (MATERIAL)  
キャリアテープ (CARRIER TAPE) : ポリプロピレン (POLYPROPYLENE)  
トップテープ (TOPTAPE) : PET, PE, PEF  
リール (REEL) : ポリスチレン (PS) <リサイクル材を含む>  
POLYSTYRENE (PS) <RECYCLE MATERIAL CONTAINED>
- その他 (OTHER)  
部品挿入部に空ポケット無し。  
NO EMPTY POCKETS AT THE PART OF COMPONENT SUPPLIER.  
梱包状態で逆にしたとき、製品が自由落下にて挙動のこと。  
AFTER PACKING, COMPONENT FALL FREE IN EMBOSSED TAPE PACKAGE.

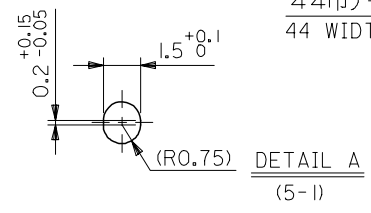
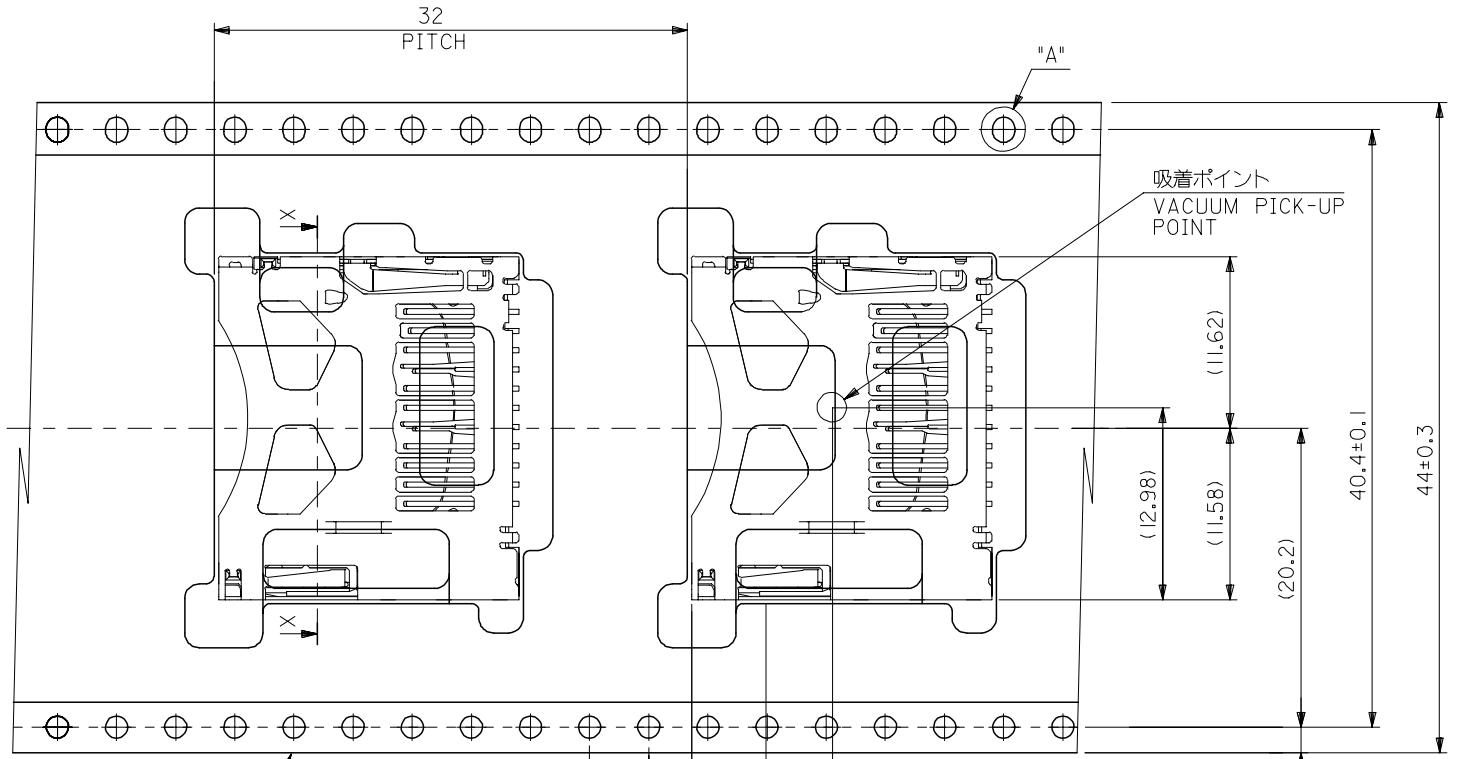
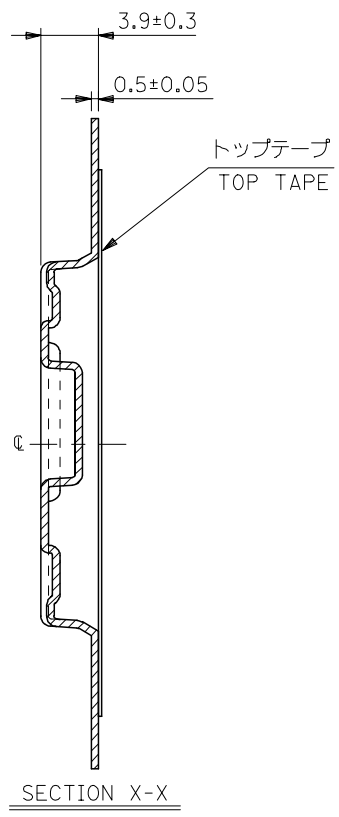
501175-1192  
MATERIAL No.

501175-\*\*\*9\* MODEL No.

RELEASED	EC NO: J2005-1559	DRAWN: WATSUMOTO 2005/01/13	CHKD: MTOMITA 2005/01/17	APPR: JMIYAZAWA 2005/01/21	GENERAL TOLERANCES (UNLESS SPECIFIED)		DIMENSION STYLE		SCALE	DESIGN UNITS	THIRD ANGLE PROJECTION	
							MM ONLY		---	METRIC		
					10 UNDER	±0.2	DRAWN BY	DATE	TITLE			
					10 OVER 30 UNDER	±0.25	YMATSUMOTO	04/09/30	MINI SD CONN. (PUSH/PUSH & REVERSE TYPE)			
30 OVER	±0.3	CHECKED BY	DATE	EMBOSSSED TAPE PACKAGE								
		MTOMITA	04/11/26	MOLEX INCORPORATED								
		APPROVED BY	DATE	DOCUMENT NO.								
		JMIYAZAWA	04/11/26	SD-501175-003								
		MATERIAL NO.		SHEET NO.								
				1 OF 2								
A				THIS DRAWING CONTAINS INFORMATION THAT IS PROPRIETARY TO MOLEX INCORPORATED AND SHOULD NOT BE USED WITHOUT WRITTEN PERMISSION								

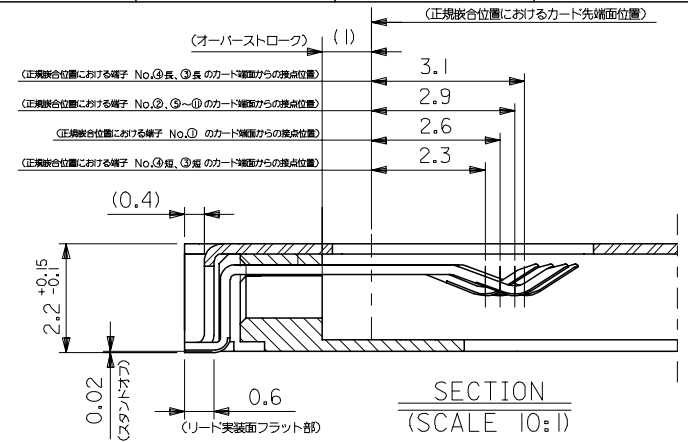
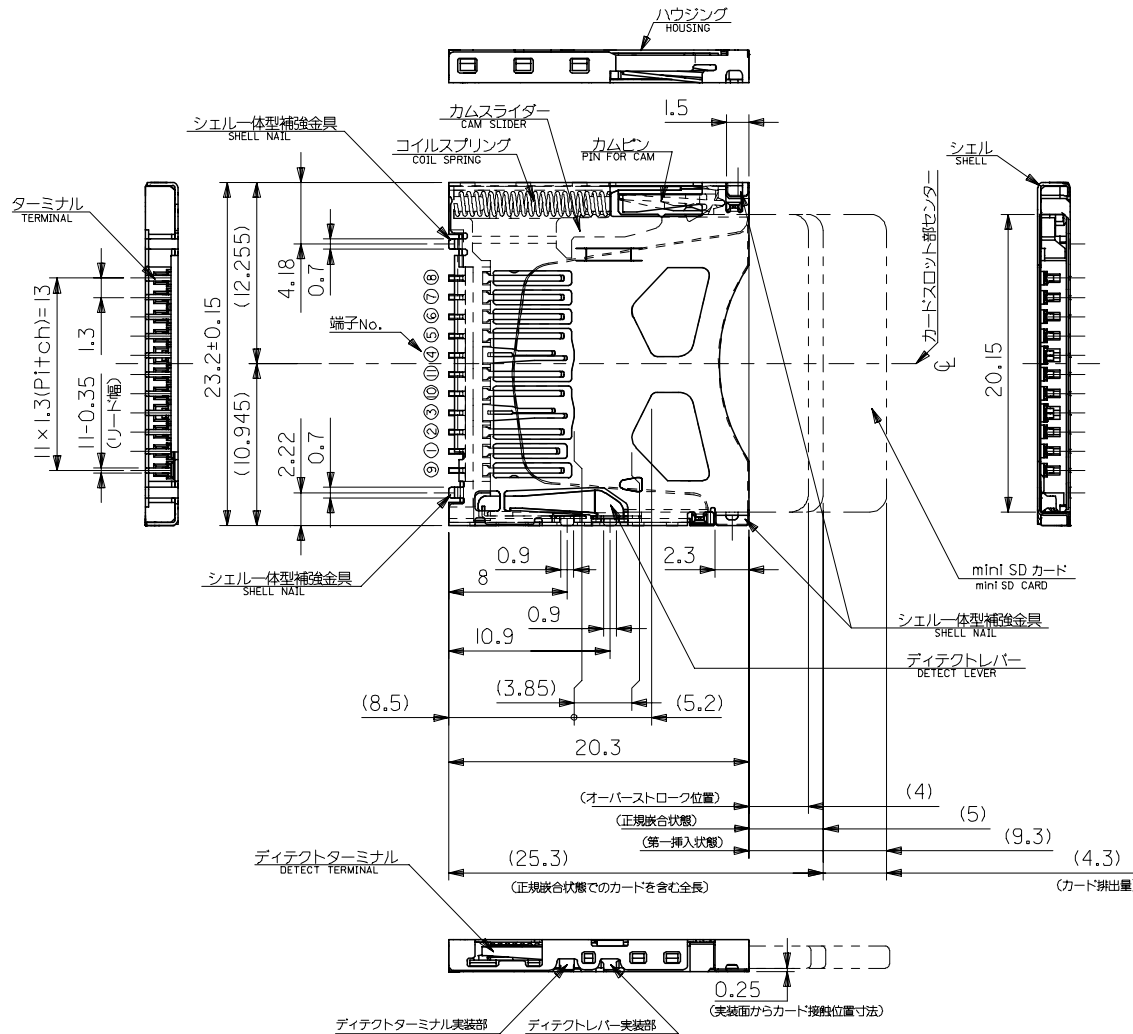
10 9 8 7 6 5 4 3 2 1

F  
E  
D  
C  
B  
A



引き出し方向  
PULL OUT DIRECTION

RELEASED EC NO: J2005-1559 DRWN: YMATSUMOTO 2005/01/13 CHKD: MTOMITA 2005/01/17 APPR: JMIYAZAWA 2005/01/21	GENERAL TOLERANCES (UNLESS SPECIFIED)		DIMENSION STYLE MM ONLY		SCALE 3:1	DESIGN UNITS METRIC	THIRD ANGLE PROJECTION	
	10 UNDER	±0.2	DRAWN BY YMATSUMOTO	DATE 04/09/30	TITLE MINI SD CONN. (PUSH/PUSH & REVERSE TYPE) EMBOSSD TAPE PACKAGE			
	10 OVER 30 UNDER	±0.25	CHECKED BY MTOMITA	DATE 04/11/26				
	30 OVER	±0.3	APPROVED BY JMIYAZAWA	DATE 04/11/26	MOLEX INCORPORATED			
	ANGULAR	±3 °	MATERIAL NO.	DOCUMENT NO. SD-501175-003				
DRAFT WHERE APPLICABLE MUST REMAIN WITHIN DIMENSIONS		SIZE A3		THIS DRAWING CONTAINS INFORMATION THAT IS PROPRIETARY TO MOLEX INCORPORATED AND SHOULD NOT BE USED WITHOUT WRITTEN PERMISSION				



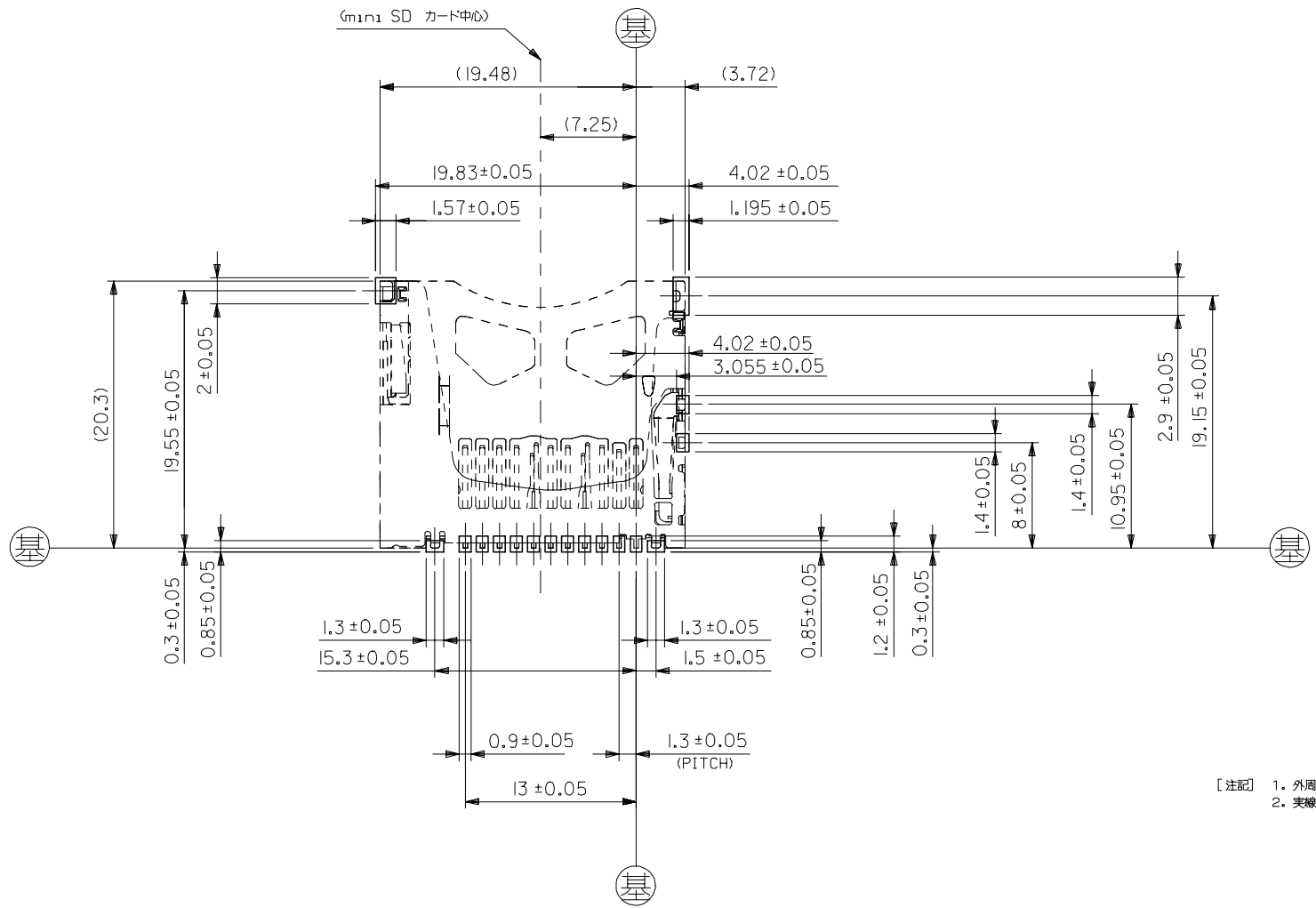
- [注記] 1. 材質 MATERIAL  
NOTES
- ハウジング: 液晶ポリマー (LCP) ガラス充填, UL94V-0, 黒色  
HOUSING: LIQUID CRYSTAL POLYMER (LCP) GLASS FILLED, UL94V-0, BLACK
  - カムスライダ: 液晶ポリマー (LCP) ガラス充填, UL94V-0, 黒色  
CAM SLIDER: LIQUID CRYSTAL POLYMER (LCP) GLASS FILLED, UL94V-0, BLACK
  - ターミナル: リン青銅, (+t=0.2)  
TERMINAL: PHOSPHOR BRONZE (+t=0.2)
  - シェル: ステンレス鋼, (+t=0.2)  
SHELL: STAINLESS STEEL (+t=0.2)
  - ディテクトレバー: リン青銅, (+t=0.15)  
DETECT LEVER: PHOSPHOR BRONZE (+t=0.15)
  - ディテクトターミナル: リン青銅, (+t=0.15)  
DETECT TERMINAL: PHOSPHOR BRONZE (+t=0.15)
  - コイルスプリング: ピアノ線  
COIL SPRING: SPW
  - カムピン: ステンレス鋼  
PIN FOR CAM: STAINLESS STEEL
2. メッキ仕様 PLATING  
ターミナル: (接触部) 金メッキ 0.2~0.3 μm, パラジウム・ニッケルメッキ 0.5~0.6 μm  
(テール部) 鍍メッキ 1~3 μm (下地) ニッケルメッキ 1~2.5 μm  
TERMINAL: CONTACT AREA: Au 0.2-0.3 μm, Pd-Ni 0.5-0.6 μm, ITAIL AREA: Sn 1-3.5 μm, UNDERFINI 1-2.5 μm  
SHELL (基板実装部): 金メッキ 0.03~0.2 μm (下地) ニッケルメッキ 1~2.5 μm  
SHELL NAIL AREA: Au 0.03-0.2 μm, UNDERFINI 1-2.5 μm  
ディテクトレバー: (接触部) 金メッキ 0.2~0.3 μm, パラジウム・ニッケルメッキ 0.5~0.6 μm  
(テール部) 鍍メッキ 1~3 μm (下地) ニッケルメッキ 2~3.5 μm  
DETECT LEVER: CONTACT AREA: Au 0.2-0.3 μm, Pd-Ni 0.5-0.6 μm, ITAIL AREA: Sn 1-3.5 μm, UNDERFINI 2-3.5 μm  
ディテクトターミナル: (接触部) 金メッキ 0.2~0.3 μm, パラジウム・ニッケルメッキ 0.5~0.6 μm  
(テール部) 鍍メッキ 1~3 μm (下地) ニッケルメッキ 2~3.5 μm  
DETECT TERMINAL: CONTACT AREA: Au 0.2-0.3 μm, Pd-Ni 0.5-0.6 μm, ITAIL AREA: Sn 1-3.5 μm, UNDERFINI 2-3.5 μm  
コイルスプリング (全面): ニッケルメッキ  
COIL SPRING: ALL AREA: NICKEL PLATING
3. テール及び補強金具の平均度は, 0.1 MAX.  
TAIL AND NAIL COPLANARITY TO BE 0.1 MAX.
4. 納入時、プッシュ/プッシュ機構は非ロック状態  
WHEN DELIVERING, THE PUSH/PUSH MECHANISM IS IN THE STATE OF THE UNLOCK.
5. カード検知スイッチ  
DETECT SWITCH
- |                                   |                             |                |                |
|-----------------------------------|-----------------------------|----------------|----------------|
| カード挿入時<br>CARD INSERTING POSITION | カード未挿入時<br>NO CARD POSITION | クローズ<br>CLOSED | オープン<br>OPENED |
|-----------------------------------|-----------------------------|----------------|----------------|

501175-1121	II
R MATERIAL NO.	CIRCUIT
MODEL NO.	501175-***1

RELEASED EC NO: J2005-3574 DRAWN: WATSUMOTO 2005/05/31 CHKD: TOMITA 2005/05/31 APPR: JIMYAZAWA 2005/06/06	GENERAL TOLERANCES (UNLESS SPECIFIED)		DIMENSION STYLE	SCALE	DESIGN UNITS	THIRD ANGLE PROJECTION	
			MM ONLY	3:1	METRIC		
	10 UNDER ±0.2		10 OVER 30 UNDER ±0.25	DRAWN BY DATE	TITLE		
	30 OVER ±0.3		ANGULAR ±3 °	CHECKED BY DATE	MINI SD CONN. (PUSH/PUSH & REVERSE SMALL TYPE)		
DRAFT WHERE APPLICABLE MUST REMAIN WITHIN DIMENSIONS			APPROVED BY DATE	MOLEX INCORPORATED			
			MATERIAL NO.	DOCUMENT NO.	SHEET NO.		
			SEE CHART	SD-501175-004	1 OF 2		
THIS DRAWING CONTAINS INFORMATION THAT IS PROPRIETARY TO MOLEX INCORPORATED AND SHOULD NOT BE USED WITHOUT WRITTEN PERMISSION							

10 9 8 7 6 5 4 3 2 1

F  
E  
D  
C  
B  
A



[注記] 1. 外周の二点鎖線はコネクタ実装時の外形を示しています。  
2. 実線内は表面実装用のパッド部およびボス用穴を示しています。

MODEL NO. 501175-\*\*\*1

RELEASED EC NO: J2005-3574 DRWN: YMATSUMOTO 2005/05/31 CHKD: MTOMITA 2005/05/31 APPR: JMIYAZAWA 2005/06/06	GENERAL TOLERANCES (UNLESS SPECIFIED)		DIMENSION STYLE MM ONLY		SCALE 3:1	DESIGN UNITS METRIC	THIRD ANGLE PROJECTION	
	10 UNDER	±0.2	DRAWN BY YMATSUMOTO		DATE 05/05/31	TITLE MINI SD CONN. (PUSH/PUSH & REVERSE SMALL TYPE)		
	10 OVER 30 UNDER	±0.25	CHECKED BY MTOMITA		DATE 05/05/31			
	30 OVER	±0.3	APPROVED BY JMIYAZAWA		DATE 05/05/31	MOLEX INCORPORATED DOCUMENT NO. SD-501175-004 SHEET NO. 2 OF 2		
ANGULAR	±3 °	MATERIAL NO.		SEE CHART				
DRAFT WHERE APPLICABLE MUST REMAIN WITHIN DIMENSIONS		SIZE A3			THIS DRAWING CONTAINS INFORMATION THAT IS PROPRIETARY TO MOLEX INCORPORATED AND SHOULD NOT BE USED WITHOUT WRITTEN PERMISSION			