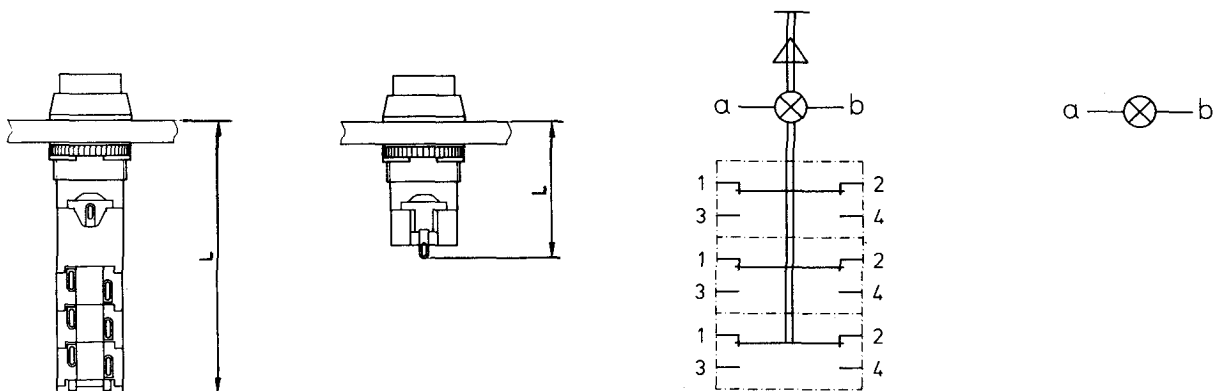


	th4	th5	th25		
Switching mechanism	Heart-shaped switching labyrinth.	Heart-shaped switching labyrinth with bi-functional mechanism ☺ for determining the momentary or the latching function.			
Actuating force	Approx. 2.5N (with one contact block).				
Mounting	Central with metal fixation nut.				
Protective systems	IP40, IP65	IP40, IP65, IP67			
Bezel materials	Thermoplast or anodized aluminium alloy.				
Lens materials	Thermoplast (polycarbonate in different colours) engravable.				
Illumination	Telephone lamps T5.5 max. 60V / 1.2W (incandescent bulbs, LEDs, Multi-LEDs).	Midget-grooved-bulbs T1 ³ / ₄ max. 60V / 1.2W (incandescent bulbs, LEDs, Multi-LEDs). Lamp contact "a" = cathode (-)	Lamp contact "b" = cathode (-)		
	Please respect the safety regulations when using the indicator light.				
Ambient temperature	-30° to +80°C Heat congestion should be avoided.	-30° to +55°C			
Life expectancy mechanical	1'000'000 operating cycles.				
Contact block 5A	Supplied assembled onto the switch. Additional elements can be added by the user.	Slide-on assembly by the user.			
Contact block casing	Duroplast, self-extinguishing (UL 94 V0).				
Terminal material	Silver contact silver alloy 2µm silver plated. Gold contact silver alloy 2µm silver plated and 0.4µm gold plated.				
Contact resistance	Gold plated <30 mOhm, silver plated <50 mOhm.				
Number of contacts	1NO + 1NC per contact block, max. 3 contact blocks per switch.	By choice 1NO or 1NC or 1NO + 1NC or 2NO + 2NC per contact block. Max. 2 double contact blocks per switch.			
Terminals	Patented, bendable double solder terminals for braid wire 2x1mm ² or strands 4x0.75mm ² .	Solder terminals for braid wire 1x1mm ² or strands 2x0.75mm ² . Faston terminals 2.8x0.5mm for faston plugs.			
Switching mechanism	Self cleaning snap-action contacts with minimum bounce.				
DC load (resistive load)	5A/12V	4A/24V 0.5A/125V	3A/36V 0.3A/250V	2A/48V	1.5A/60V
DC load (inductive load L/R = 15ms)	3A/12V	2A/24V 0.3A/125V	1.7A/36V 0.2A/250V	1.5A/48V	1.2A/60V
Switching capacity	5A 250V AC (cos φ 0,7) Recommended miniature circuit breaker: characteristic type C 6 A.				
Life expectancy electrical	70'000 operating cycles 5A 250V AC (cos φ 0,7)				
Vibration	Amplitude 1.5mm pp at 55Hz				
Contact block 6A			see th25 catalogue		
Contact block 16A			page 21		

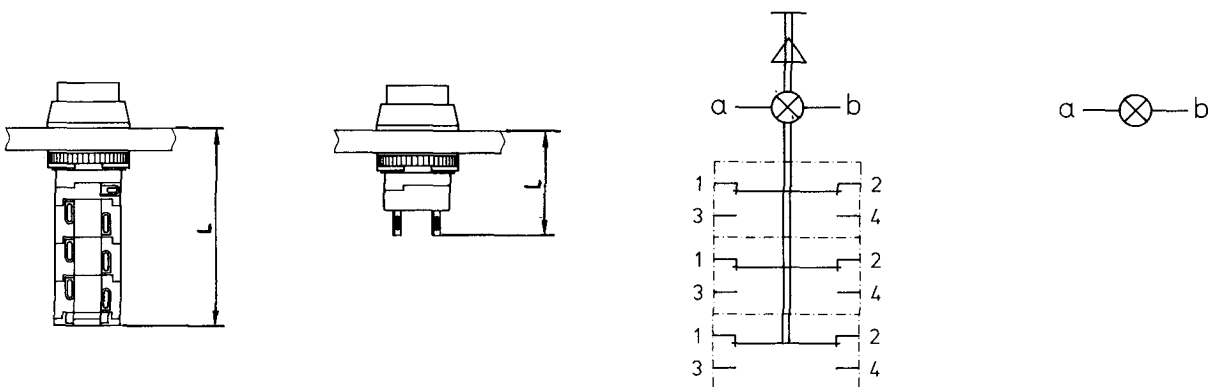
Tightening torques

Hexagonal metal nut	M12x0.75	max. 100Ncm
Metal fixing nut	M16x1	max. 150Ncm
Metal fixing nut	M22x1	max. 300Ncm
Contact block screws for th4, th5		max. 13Ncm
Pin screws	M2.5 for anti-rotation plates on th25 switch with plastic ring Ø25 IP65	max. 30Ncm
Pin screws	M3 for anti-rotation plates on th4, th25 key switches and rotary switches	max. 20Ncm

th4



th5



th25

