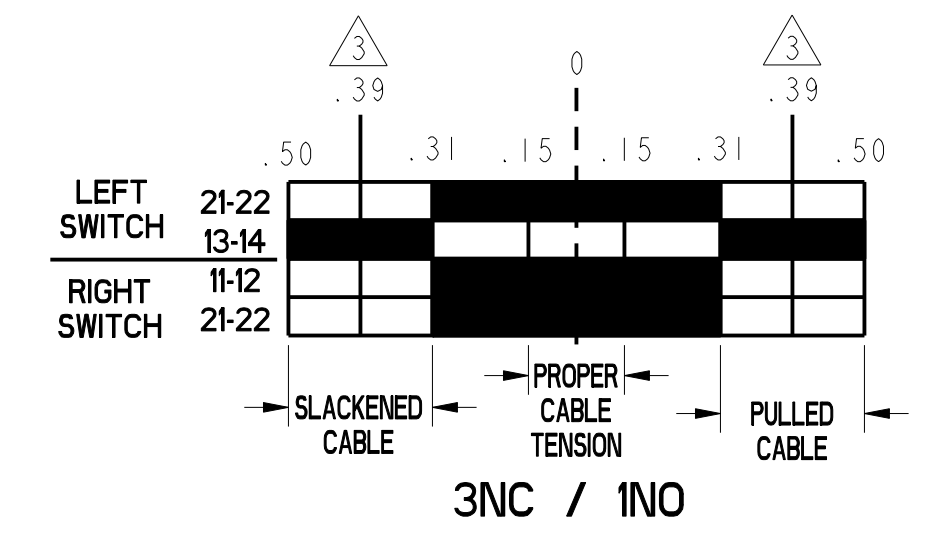
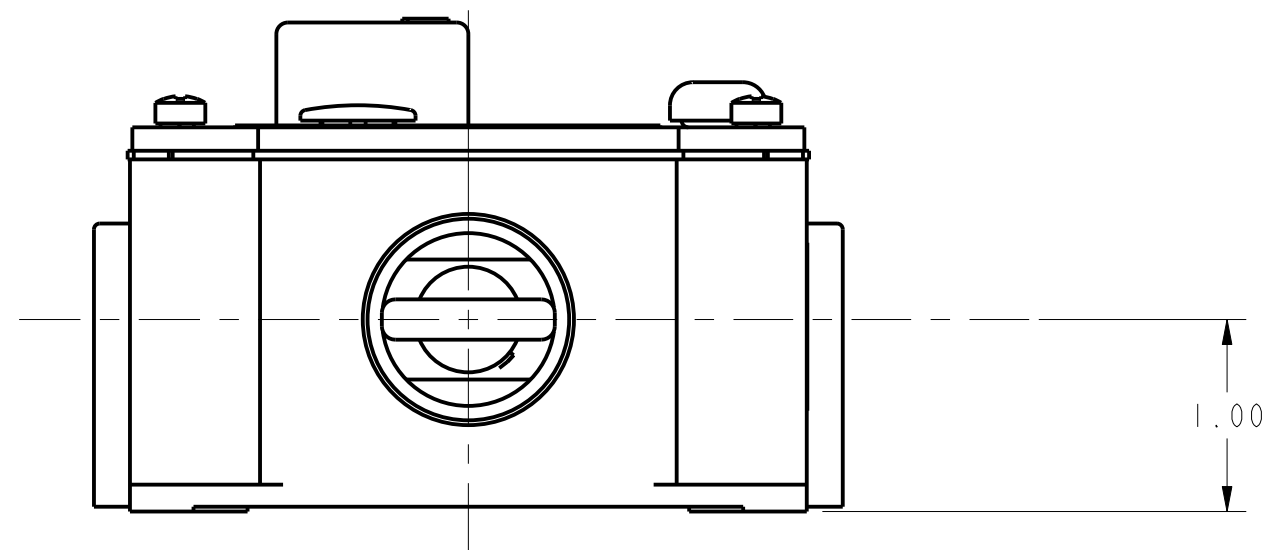
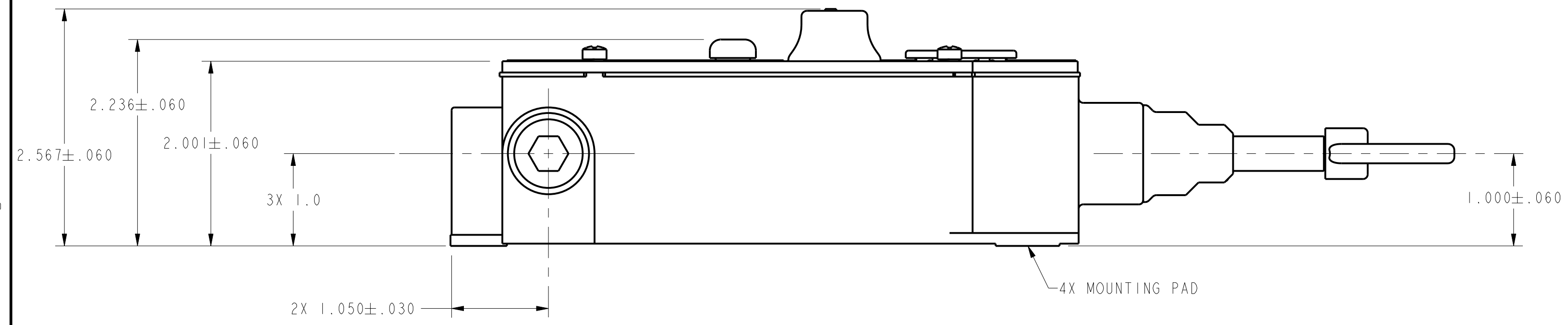
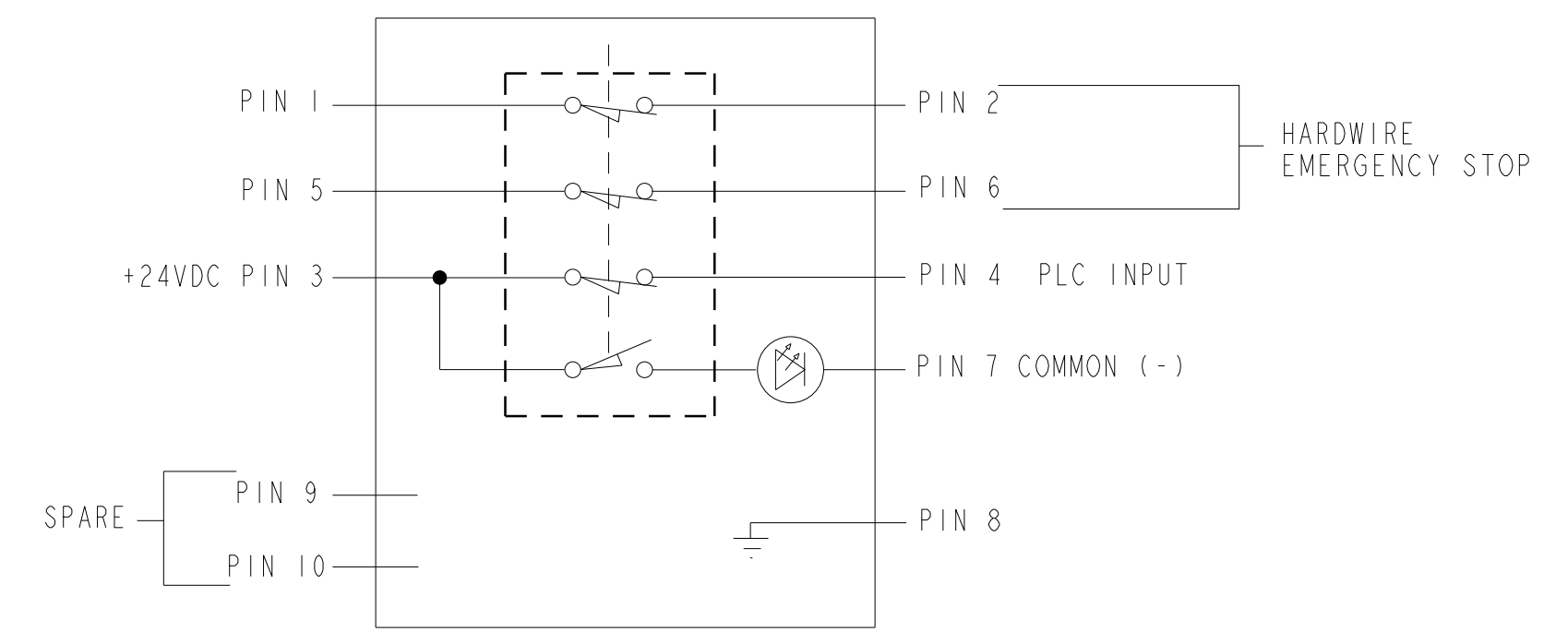


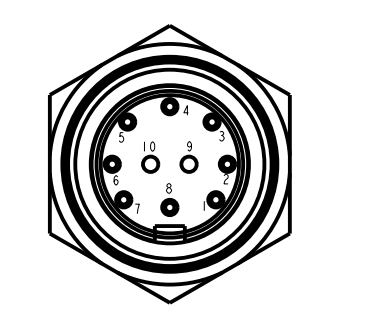
1CPSA3A-

MODIFICATION CODE	
F01	10 PIN BRAD-HARRISON CONNECTOR TO BOTTOM W/ ACTUATOR TO RIGHT
F02	10 PIN BRAD-HARRISON CONNECTOR TO BOTTOM W/ ACTUATOR TO LEFT
F03	10 PIN BRAD-HARRISON CONNECTOR TO BOTTOM W/ ACTUATOR TO TOP



SHAFT TRAVEL CHART

- NOTES
- 1 - TWO CONDUIT THREAD PLUGS ARE INCLUDED WITH PRODUCT
 - 2 - NOMENCLATURE IS PROVIDED FOR IDENTIFICATION OF EXISTING LISTINGS. NOT ALL COMBINATIONS ARE AVAILABLE
 - 3 - POSITIVE OPENING TO IEC/EN60947-5-1
 - 4 - FORCE TO MAINTAIN ACTUATION SHAFT AT PROPER TENSION: 25 LBS
ACTUATION SHAFT OPERATE FORCE: 40 LBS



10 PIN BRAD-HARRISON CONNECTOR DETAIL

ELECTRICAL RATING				ENVIRONMENTAL		APPROVALS	
AC		DC		IP 67	NEMA 1, 4, 12 & 13		
A300 Ue	AC15 Ie	O300 Ue	DC13 Ie	TEMP RANGE: -25°C TO 85°C -13°F TO 185°F			
(VOLTS) 120 240	(AMPS) 6 3	(VOLTS) 24 125 250	(AMPS) 2.8 .55 .27	STORAGE: -40°C TO 85°C -40°F TO 185°F		IEC/EN60947-5-5	
Ith = 10A				SHOCK: 15G PER IEC 68-2-27			
				VIBRATION: 5G PER IEC 68-2-6			

DESIGN UNITS: INCH TOLERANCES UNLESS NOTED:	DRAWN AS 09NOV04 CHECK AK 09NOV04		
NO PLACE .x ± 0.040 ONE PLACE .x ± 0.030 TWO PLACE .xx ± 0.015 THREE PLACE .xxx ± 0.005 FOUR PLACE .xxxx ± 0.0005 ANGLES x ± 3	THIS DRAWING COVERS A PROPRIETARY ITEM AND IS THE PROPERTY OF HONEYWELL. THIS DRAWING IS NOT TO BE COPIED OR USED WITHOUT THE PERMISSION OF HONEYWELL.		
THIRD ANGLE PROJECTION	INTERPRET PER ASME Y14.5M-1994 OTHER HONEYWELL ENGINEERING STANDARDS MAY APPLY	SIZE D TYPE I DRAWING NAME ICPS SERIES CHART 3	REV A
Pro/ENGINEER 3D SCALE 1:1		SHEET 1 OF 1	