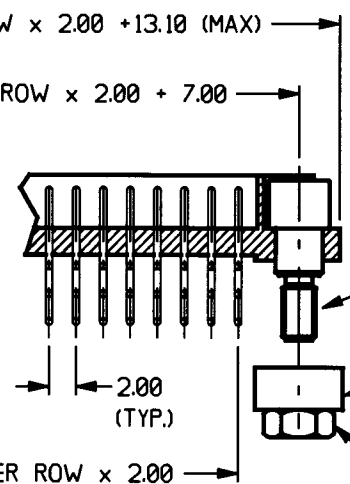
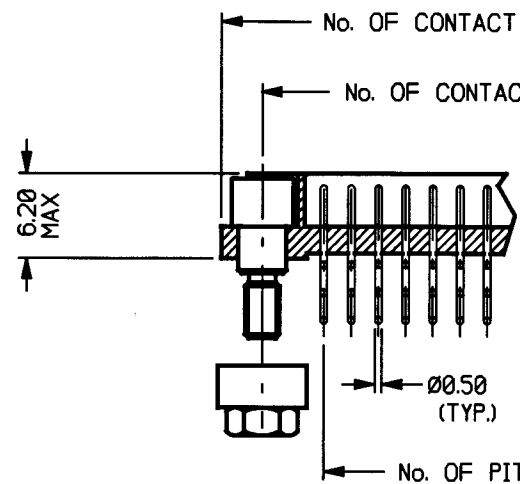
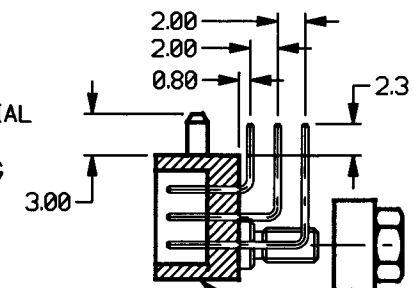
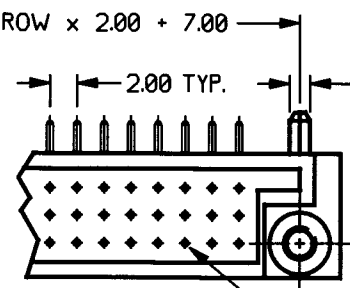
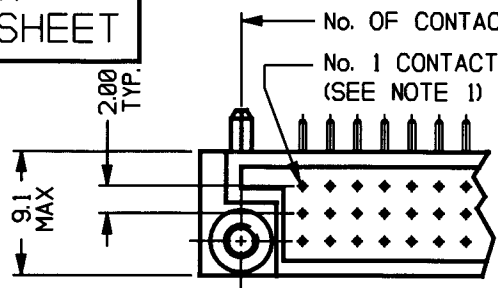


**CUSTOMER INFORMATION SHEET**



CONTACTS MATERIAL: PHOSPHOR BRONZE  
 FINISH: 06 - TIN  
 22 - SELECTIVE GOLD

MOULDING MATERIAL: POLYAMIDE 46 UL94V-0

No.1 CONTACT

NOTE:  
 1. FROM No.1 POSITION, CONTACTS ARE NUMBERED IN SEQUENCE FROM LEFT TO RIGHT AND FROM TOP ROW TO BOTTOM ROW. (SEE DETAIL DRAWING ABOVE).

ORDER CODE  
**M80-701XXXX**

TOTAL No. OF CONTACTS \_\_\_\_\_

PLATING FINISH  
 06 - TIN  
 22 - SELECTIVE GOLD

A	23.12.93	
ISS.	DATE	C/N
DRAWN: ISANDY		
CHECKED: <i>[Signature]</i>		
APPD.: <i>[Signature]</i>		
CUSTOMER REF.		
ASSEMBLY DRG:		

**HARWIN**

HARWIN PLC UK TEL: (0705) 370451 FAX: (0705) 324010	HARWIN INC U.S.A. TEL: (812) 285-0055 FAX: (812) 285-0056	HARWIN PTE SINGAPORE TEL: 7794909 FAX: 7793868
--	--	---

TOLERANCES  
 X: ±1mm  
 X.X ±0.25mm  
 X.XX ±0.10mm  
 X.XXX ±0.01mm  
 ANGLES ±1°

IF IN DOUBT - ASK

MATERIAL: SEE ABOVE

FINISH: SEE TABLE

S/AREA: mm<sup>2</sup>

TITLE: 3-ROW 2mm PITCH CONNECTOR, MALE, 90° THROUGHBOARD P.C. TAILS

DRAWING NUMBER: **M80-701XXXX**

SHT. 2 OF 2