





PRODUCTS

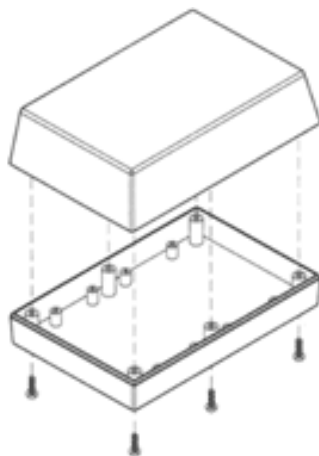
- Products Home
- Size Table
- Accessories
- Customization
- + A-Series
- + C-Series
- + CA-Series
- + CH-Series
- + G-Series
- + H-Series
- + M-Series
- + R-Series
- + RX-Series
- + S-Series
- + SL-Series

Products: S-Series 193, 193-I



MODEL	LENGTH	WIDTH	HEIGHT	DRAWINGS	
				(.pdf)	(.dwg)
193, 193-I	9.500"	6.340"	2.510"		
					

FEATURES



- Two-piece standard design
- -I refers to the "I" version of a model, with a 0.015" smooth depression on top for printing or flush membrane/label surface
- Circuit board mounting bosses
- Assembly with six screws
- Customization available
 - two insert areas/I-Plates (top and bottom)
 - machining
 - pad printing

COLORS



Black



Almond



Gray

[Custom Colors Also Available](#)

[RETURN TO TOP](#)

ACCESSORIES (Click an accessory for compatible models and part numbers)



Non-Skid Feet (P/N 50)

[RETURN TO TOP](#)

[Home](#) | [About SERPAC](#) | [Products](#) | [Accessories](#) | [Customizations](#) | [Distributors](#) | [Buy Now!](#) | [Contact Us](#)

PRODUCTS: [A-Series](#) | [C-Series](#) | [CA-Series](#) | [CH-Series](#) | [G-Series](#) | [H-Series](#) | [M-Series](#) | [R-Series](#) | [S-Series](#) | [SL-Series](#)

© 2004, SERPAC Electronic Enclosures. All Rights Reserved