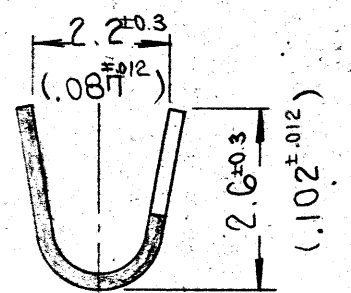
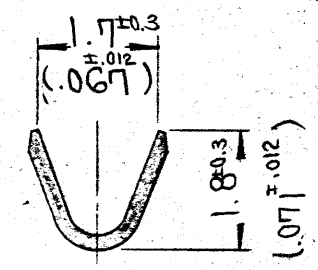
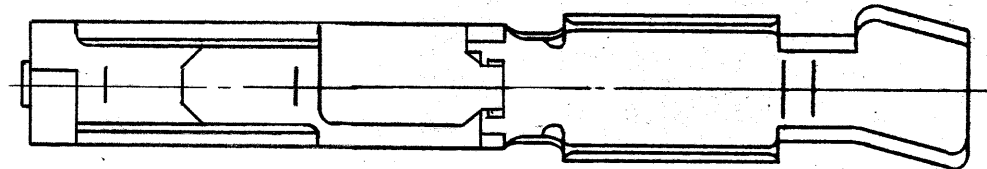


DWG. NO. SJ016352E SYM. 3

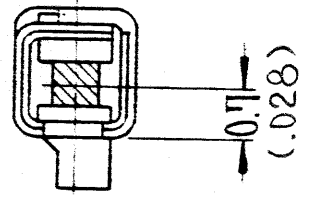
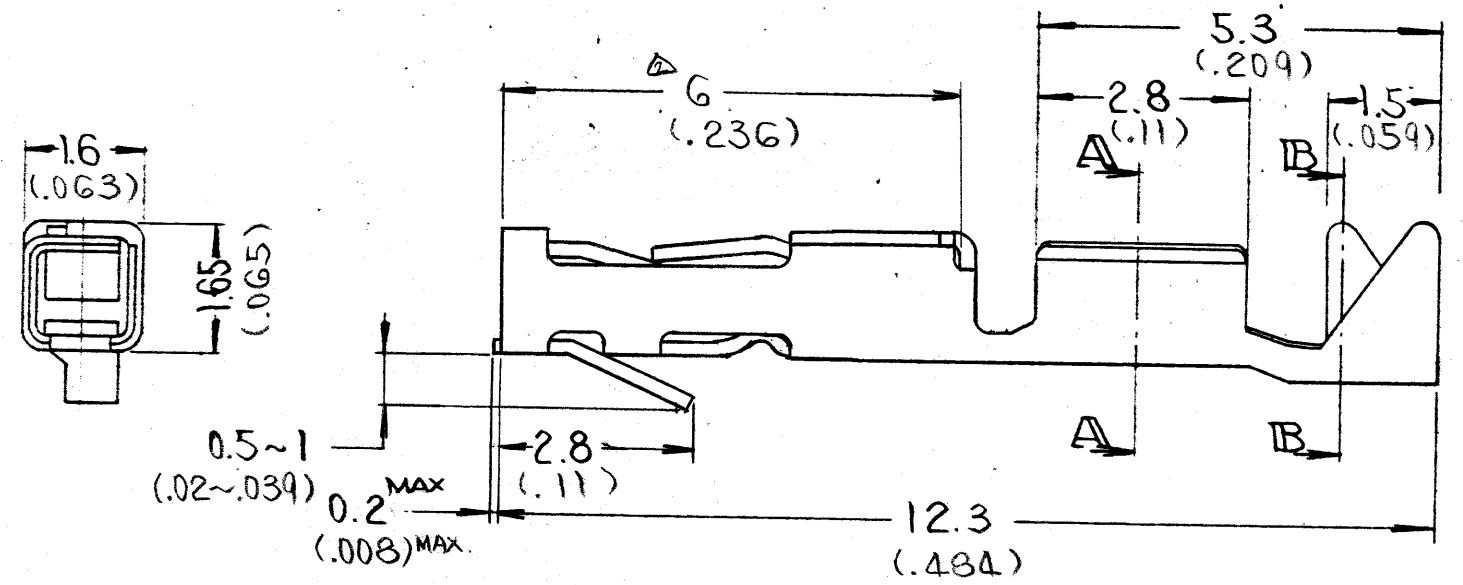
SYM.	DCN NO.	DESCRIPTION	DATE	DRAWN	CHECKED	APP'D	APP'D
2	15116	6.5(.256) → 6(.236)	4.MAR.1982	M. Sasaki	T. Nagashima	T. Yajima	
3	50963	CHANGED TO SI UNIT SYSTEM	13.Nov.2002	M. Sasaki	K. Kawase	S. Kashiwagi	



SECTION A-A

SECTION B-B

(CONTACT CRIMPING BARREL) (INSULATION CRIMPING BARREL)



CROSS SECTION (MATED WITH PIN)

TABLE 1. PART NO. DIMENSIONS AND CONTACT FINISH

PART NO.	PART NAME	FINISH	
		MATING PORTION	OTHER AREA
030-51307-001	PS-SF-C1-1	GOLD FLASH OVER NICKEL	GOLD FLASH OVER NICKEL
↑ -002	↑ -2	GOLD, 0.3 μm MIN Δ OVER NICKEL	GOLD FLASH OVER NICKEL
030-51307-003	PS-SF-C1-3	GOLD, 0.76 μm MIN Δ OVER NICKEL	GOLD FLASH OVER NICKEL

- NOTE 1. MATING PIN SIZE : 0.64 ± 0.05 (0.025 ± 0.002)
 2. USABLE WIRE SIZE : STRANDED WIRE, AWG 22 TO AWG 24
 OUTER DIA. (INCLUDING INSULATION) : 1.2 (.047) TO 1.6 (.063)

ITEM	DESCRIPTION	Q'TY	MATERIAL	FINISH	PART NO.
	(PS-SF-C1) JAE CONNECTOR				030-51307-00*

UNLESS OTHERWISE SPECIFIED				DATE	22-JUN-1981
DIMENSIONS ARE IN MILLIMETERS.				DRAWN	E. MURANO
TOLERANCES ON: (INCHES)				CHECKED	M. Sasaki
FRACTIONS	DECIMALS	ANGLES	APP'D	T. Nagashima	
			APP'D	K. Kawase	
TREATMENT OR FINISH				0.2 PHOSPHOR BRONZE	
NEXT ASS'Y	USED ON	NEXT ASS'Y	FINAL ASS'Y	APPLICATION	
				QTY REQ'D	

TITLE		JAPAN AVIATION ELECTRONICS IND. CO. LTD. FACTORY	
(PS-SF-C1) JAE CONNECTOR		NAKAGAWA-CHO, AKISHIMA-SHI, TOKYO, JAPAN	
030-51307-00*		Reference Only	
SCALE	× 10	DWG. SIZE	B WT.
SHEET		DWG. NO. SJ016352-E	

Mouser Electronics

Authorized Distributor

Click to View Pricing, Inventory, Delivery & Lifecycle Information:

[JAE Electronics:](#)

[030-51307-001](#)