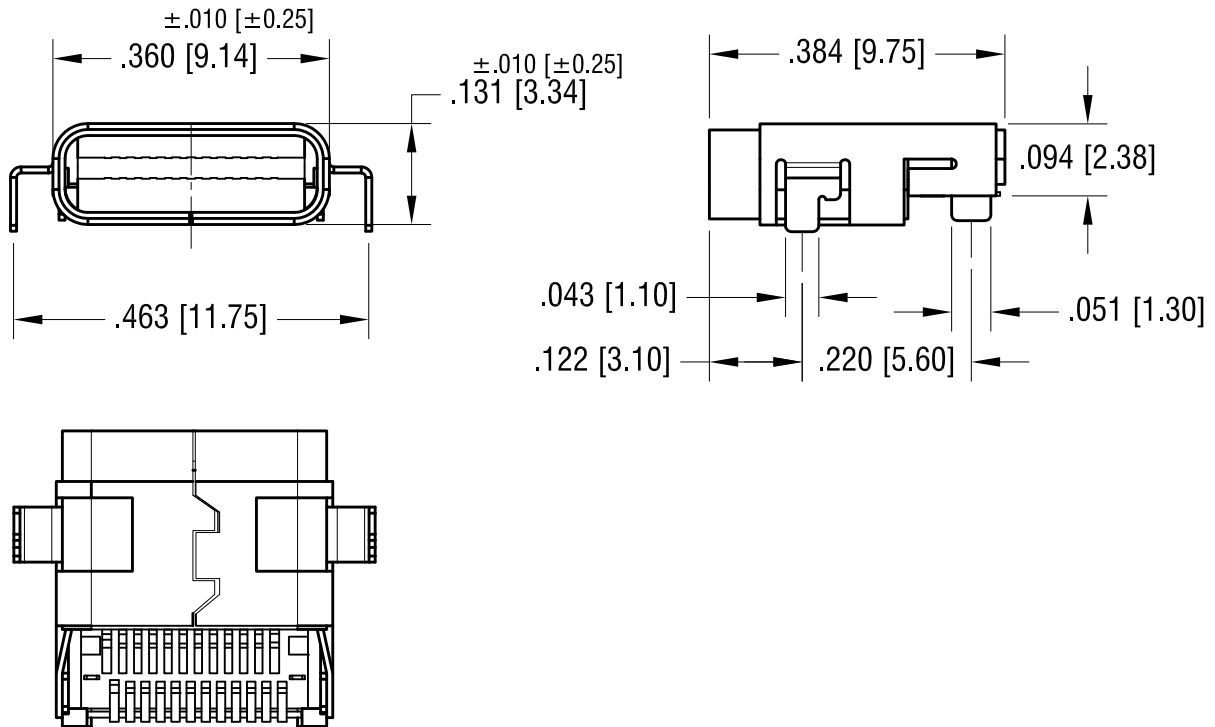


THIS DOCUMENT IS THE PROPERTY OF
KEYSTONE ELECTRONICS CORP. AND
SHALL NOT BE REPRODUCED, DISTRIBUTED
OR USED AS A BASIS FOR MANUFACTURE
WITHOUT PRIOR WRITTEN PERMISSION
FROM KEYSTONE ELECTRONICS CORP.

ACTUAL SIZE



NOTE:

1. SHELL: MAT'L- STAINLESS STEEL
FINISH: NICKEL PLATE
2. CONTACT: MAT'L .005 [0.12] TH'K BRASS
GOLD PLATE
3. HOUSING: LCP, CLASS FILLED
4. OPERATING TEMPERATURE -55°C TO +85°C

5. CONTACT RESISTANCE:
INITIAL: 20 milli OHMS MAX.
INSULATION RESISTANCE- 100 Mega OHMS MIN.
DIELECTRIC STRENGTH: 100 Vac Rms 60Hz. 1Min.

PAGE 1 OF 2

KEYSTONE ELECTRONICS CORP.

www.keyelco.com • ASTORIA, N.Y. 11105-2017 • Tel (718) 956-8900

PART NAME			
USB 3.1 TYPE-C RECEPTACLE- SMT TYPE			
MATERIAL			
AS NOTED			
FINISH		DRN BY	DATE
AS NOTED		NT	4.13.15
		APP'D	SCALE
			4X
TOLERANCES	INCH [MM]	CODE	DWG NO.
DECIMAL	± .005 [± 0.13]	C	953
ANGULAR	± 1°		
UNLESS OTHERWISE SPECIFIED			

12.11.15	CHANGE AS PER ECN 15-139	A
DATE	DESCRIPTION	REV.