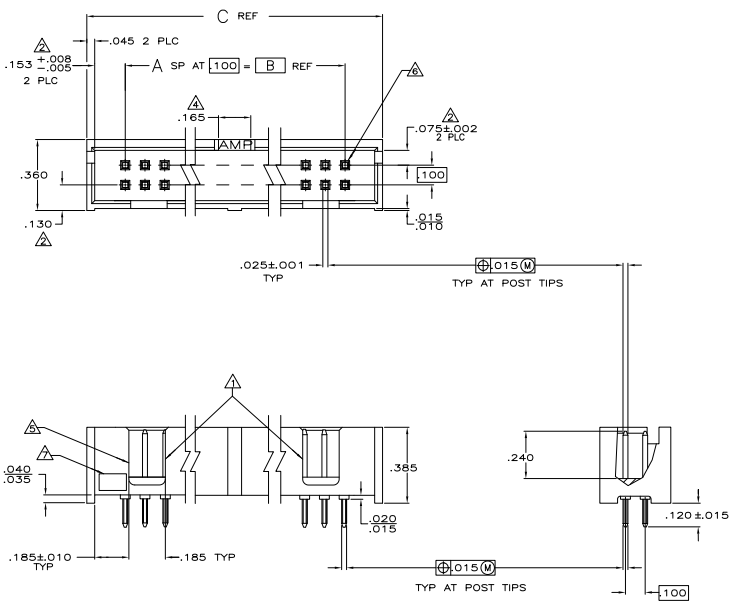
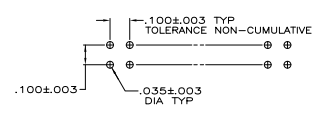


THIS DRAWING IS UNPUBLISHED
 ALL RIGHTS RESERVED

REV	DATE	DESCRIPTION	BY	APP'D
GP 00				
M		REVISED PER EDD-11-003735		17MAR2011 CJV/SLB



- △ DOUBLE BAR POLARIZATION
- △ THE NOTED DIMENSIONS APPLY AT THE INTERSECTION OF THE POST AND HOUSING
- △ POSTS: GOLD FLASH OVER PALLADIUM-NICKEL PLATE, .000015 MIN TOTAL ON THE MATING SURFACES, .000100 MIN TIN-LEAD PLATE ON THE SOLDER-TAILS, .000050 MIN NICKEL UNDERPLATE ON THE ENTIRE POST.
- OR-
- △ .000015 MIN GOLD PLATE ON THE MATING SURFACES, .000100 MIN TIN-LEAD PLATE ON THE SOLDER-TAILS, .000050 MIN NICKEL UNDERPLATE ON THE ENTIRE POST.
- △ CENTER POLARIZATION SLOT
- △ FOR 10 POSN ASSEMBLY, SLOT OMITTED WHERE INDICATED
- △ NUMBER 1 POSITION.
- △ OPTIONAL AMP IDENTIFICATION NUMBER (DATE CODE) LOCATION APPROXIMATELY WHERE SHOWN.



RECOMMENDED HOLE LAYOUT FOR MANUAL INSERTION

1.500	1.100	11	24	1-103308-3	
3.300	2.900	29	60	1-103308-2	
OBSOLETE	3.100	2.700	27	56	1-103308-1
OBSOLETE	2.800	2.400	24	50	1-103308-0
OBSOLETE	2.500	2.100	21	44	103308-9
	2.300	1.900	19	40	103308-8
	2.000	1.600	16	34	103308-7
	1.800	1.200	12	26	103308-6
	1.300	.900	9	20	103308-5
OBSOLETE	1.200	.800	8	18	103308-4
	1.100	.700	7	16	103308-3
	1.000	.600	6	14	103308-2
	.800	.400	4	10	103308-1

THIS DRAWING IS A CONTROLLED DOCUMENT. DATE: 03-27-07

DESIGNED BY: J. MEYER DATE: 03-27-07

108-40018

TE Connectivity

HEADER ASSY, LOW PROFILE, AMP-LATCH

SIZE: A1 DATE: 00779 C=103308

CUSTOMER DRAWING

REV	DATE	DESCRIPTION
1		