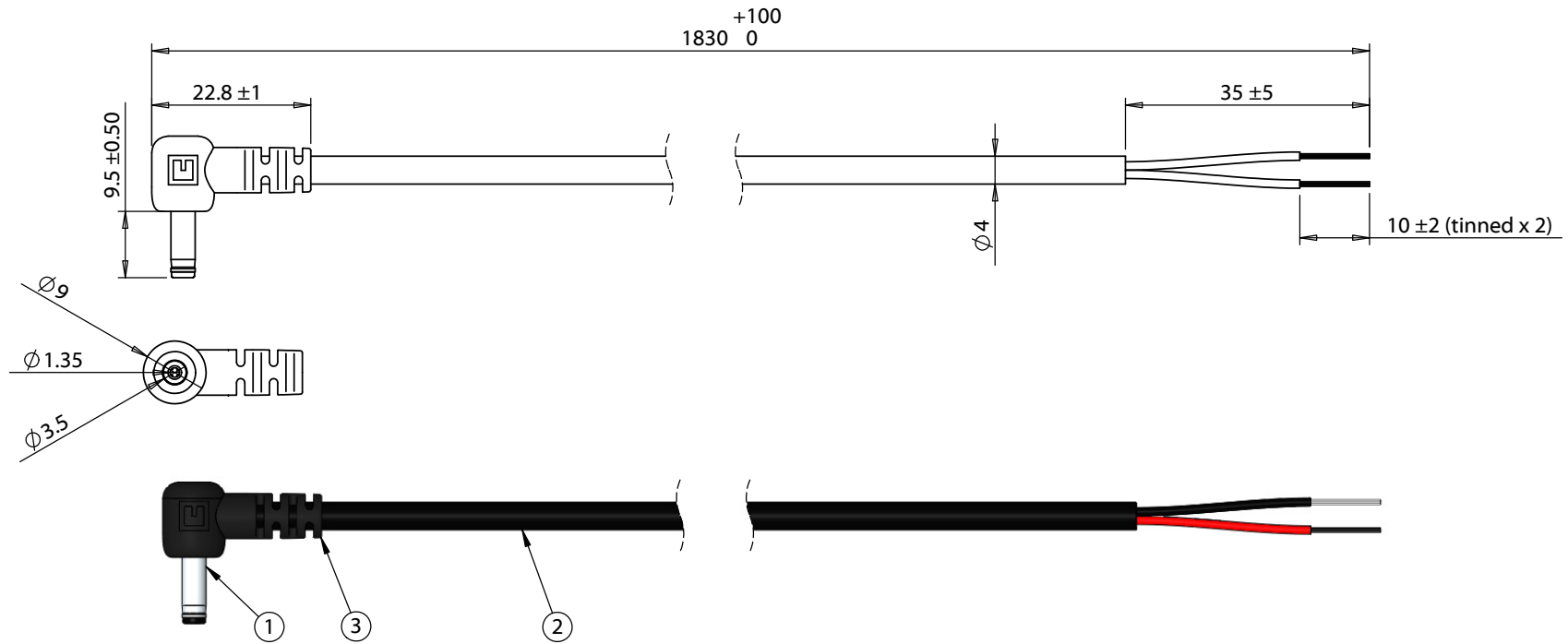


ITEM NO.	PART NUMBER	DESCRIPTION	QTY.	COMPONENT NOTES
1	50-00141	Connector, dc plug, 3.5x1.35x17.5 mm, molding style, spring contacts	1	
2	30-00692	Wire, 2C TS, 24 AWG, UL2464, 300V, 80C, 4.0 mm, VW-1, PVC	1	
3	24-00009	Overmold, PVC	1	black



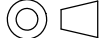
Notes:

Cables individually tied and bundled in groups of 10

Functionally equivalent components may be substituted

Electrical requirements: 4 A, 12 Vdc

Wiring Diagram	
50-00141	wire color
center	red
sleeve	black

Revision:	Date:	Description:	Prepared:	Notes:	<h1>TENSILITY</h1> <p>tel 1.541.323.3228 800 877.670.7118 fax 1.541.323.4202 web tensility.com</p>
A	9/13/2016	Initial release	Verified:	RoHS and REACH compliant	
			Dimensions are in millimeters.	Function test: no open, no short circuit, no intermittent	
			Tolerances: X: ± 0.5 mm X.X: ± 0.3 mm X.XX: ± 0.05 mm	Description: Cable, 1830 mm, 3.5x1.35x9.5 mm 90° 50-00141 plug to stripped tinned, 24 AWG, 30-00692 wire	
Scale: 1:1				Size: A	Part number: 10-02232
					Sheet 1 of 1

5

↑

4

3

2

1