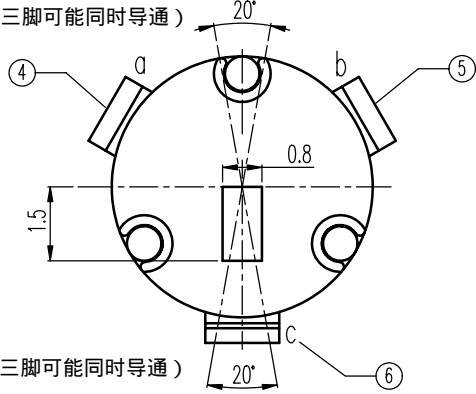
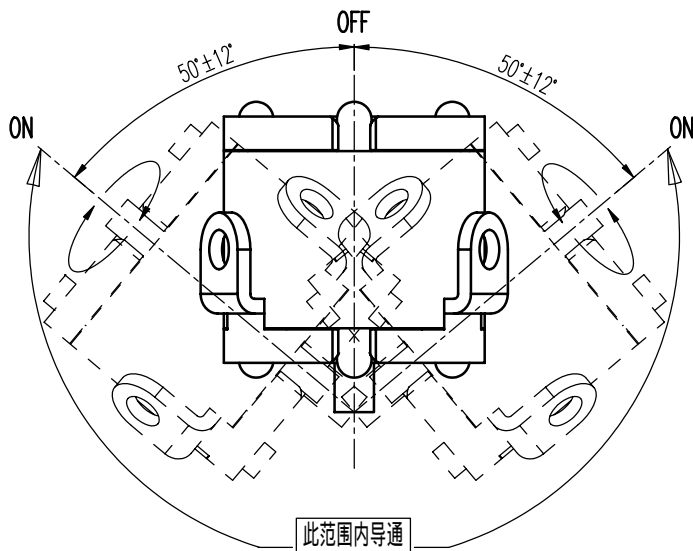
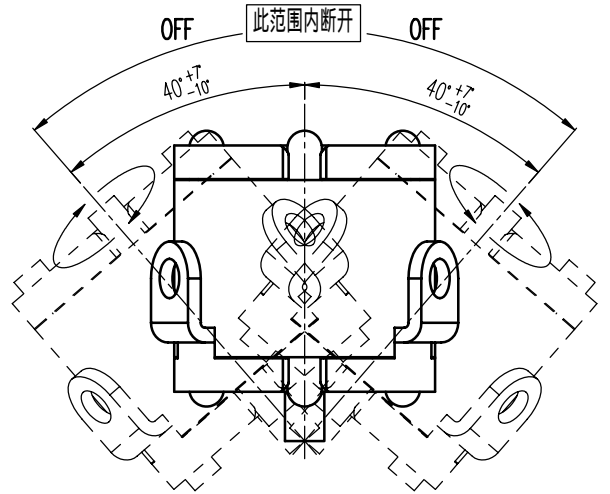


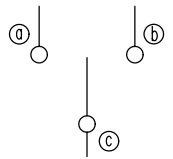
(此范围内三脚可能同时导通)



(此范围内三脚可能同时导通)



电路示意图 CIRCUIT SCHEMATIC



规格 Specifications ①

|                                |                            |
|--------------------------------|----------------------------|
| 额定负荷 Ratings                   | DC 3V 1mA                  |
| 绝缘电阻 Insulation Resistance     | DC 500V 60±5Sec. 10MΩ Min. |
| 抗电强度 Dielectric Voltage        | AC 500V 60±5Sec.           |
| 负荷寿命 Operating Life With Load  | 100,000次                   |
| 专利申请号 Requisition of patent No | China: 200720118725.6      |

|        |                |             |        |            |                  |                          |          |           |
|--------|----------------|-------------|--------|------------|------------------|--------------------------|----------|-----------|
| 7      | 铜珠 BALL        | BRASS       | 1      | Au PLATED  |                  |                          |          |           |
| 6      | 端子C TERMINAL C | C2680R      | 1      | Au PLATED  | A05              | 变更内容详见图中标示处 ①            | 王小东      | 2008-1-17 |
| 5      | 端子B TERMINAL B | C2680R      | 1      | Au PLATED  | A04              | 变更初始导通角度公差为50±12°, 见标示 ③ | 王小东      | 2007/5/15 |
| 4      | 端子A TERMINAL A | C2680R      | 1      | Au PLATED  | A03              | 增加专利号内容, 详见图中标示处 ②       | 王小东      | 2007/3/15 |
| 3      | 胶盖B COVER B    | PA          | 1      | BLACK C    | A02              | 变更内容详见图中标示处 ①            | 王小东      | 07-01-26  |
| 2      | 胶盖A COVER A    | PA          | 1      | BLACK C    | A01              |                          | 王小东      | 07-01-23  |
| 1      | 胶壳 HOUSING     | PA          | 1      | BLACK C    | 标号 REV           | 内容 DESCRIPTION           | 签名 SIGN. | 日期 DATE   |
| 序号 NO. | 零件 PART        | 材料 MATERIAL | 数量 QTY | 备注 REMARKS | DWG NO. ITEM2793 |                          |          |           |

|                                   |        |          |                       |           |            |              |        |      |
|-----------------------------------|--------|----------|-----------------------|-----------|------------|--------------|--------|------|
| TOLERANCES UNLESS OTHERWISE SPEC. |        | TITLE    | ROLLING BALL SENSOR ① |           | ITEM NO    | RB-3R0232-50 |        |      |
| UNDER 1                           | ± 0.10 | DRAWN    | 王小东                   | 2008-1-17 | VERSION    | A05          | PAGE 1 | OF 1 |
| 1 - 10                            | ± 0.30 | REVIEWED | 方勇                    | 2008-1-18 | SCALE      |              | UNIT   | mm   |
| OVER 10                           | ± 0.50 | APPROVED | 程先金                   | 2008-1-18 | PROJECTION |              |        |      |

**COMAX** ELECTRONICS (HUIZHOU) CO.,LTD.

# Mouser Electronics

Authorized Distributor

Click to View Pricing, Inventory, Delivery & Lifecycle Information:

[C&K Components:](#)

[RB-3R0232-50](#)