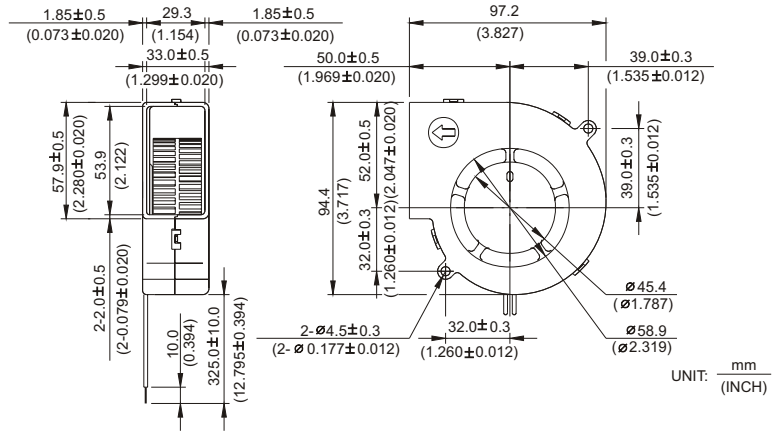


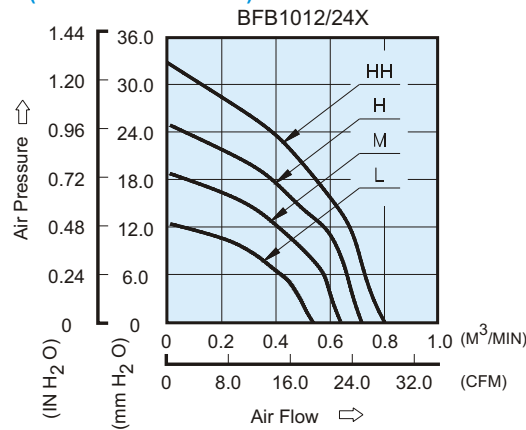
BFB 97 x 94 x 33 MM SERIES

DIMENSIONS DRAWING



- * Bearing Type
Ball Bearings
- * Material
Impeller & Frame : Plastic (UL 94V-0)
- * Lead Wires :
UL 1007 AWG #24 OR Equivalent
Red Wire Positive (+)
Black Wire Negative (-)
- * Weight : 160g (5.64 oz)

P & Q CURVE (AT RATED VOLTAGE)



| MODEL | | Rated Voltage | Operating Voltage Range | Rated Current | Rated Input Power | Speed | Maximum Air Flow | | Maximum Air Pressure | | Noise |
|-----------|-------------|---------------|-------------------------|---------------|-------------------|--------|---------------------|-------|----------------------|---------------------|-------|
| PART NO. | FUNCTION | VDC | VDC | Amp | Watt | R.P.M. | m ³ /min | CFM | mmH ₂ O | IN H ₂ O | dB-A |
| BFB1012L | -R00 / -F00 | 12 | 4.0 to 13.8 | 0.32 | 3.84 | 2700 | 0.540 | 19.07 | 12.70 | 0.500 | 45.0 |
| BFB1024L | -R00 / -F00 | 24 | 7.0 to 27.6 | 0.16 | 3.84 | | | | | | |
| BFB1012M | -R00 / -F00 | 12 | 4.0 to 13.8 | 0.57 | 6.84 | 3200 | 0.640 | 22.60 | 19.00 | 0.748 | 49.0 |
| BFB1024M | -R00 / -F00 | 24 | 7.0 to 27.6 | 0.26 | 6.24 | | | | | | |
| BFB1012H | -R00 / -F00 | 12 | 4.0 to 13.8 | 0.80 | 9.60 | 3600 | 0.720 | 25.43 | 25.40 | 1.000 | 52.0 |
| BFB1024H | -R00 / -F00 | 24 | 7.0 to 27.6 | 0.40 | 9.60 | | | | | | |
| BFB1012HH | -R00 / -F00 | 12 | 4.0 to 13.2 | 1.10 | 13.20 | 4000 | 0.800 | 28.25 | 33.00 | 1.299 | 55.0 |
| BFB1024HH | -R00 / -F00 | 24 | 7.0 to 27.6 | 0.55 | 13.20 | | | | | | |

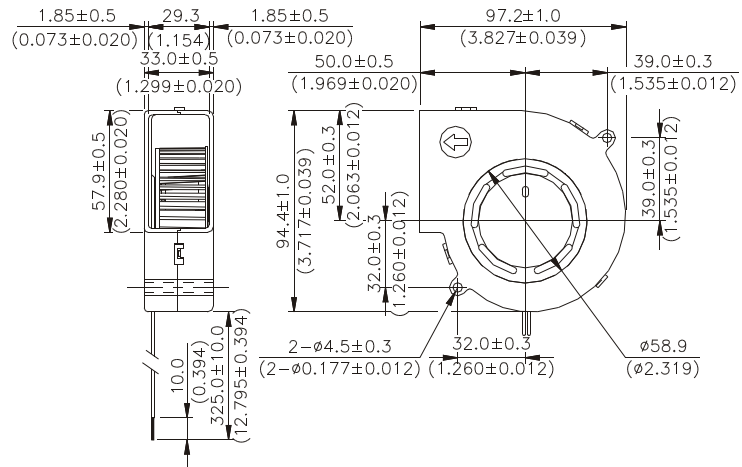
* Function type is optional.
 * The max. air flow and the speed are measured in free air ; max. air pressure is measured at zero air flow.
 * Noise is measured in anechoic chamber in free air, one meter from intake side.
 * All readings are typical values at rated voltage.
 * Specifications are subject to change without notice.

New



BFB 97 x 94 x 33 MM SERIES

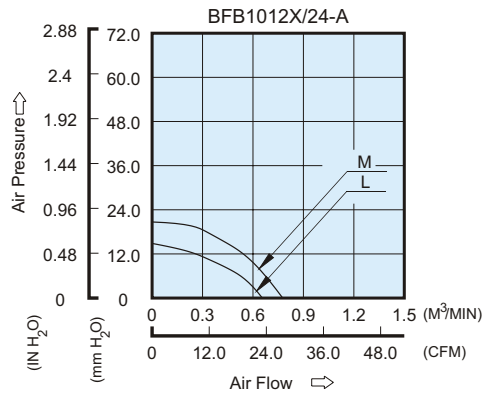
DIMENSIONS DRAWING



UNIT: $\frac{\text{mm}}{\text{(INCH)}}$

- * Bearing Type
Ball Bearings
- * Material
Impeller & Frame : Plastic (UL 94V-0)
- * Lead Wires :
UL 1007 AWG #24 OR Equivalent
Red Wire Positive (+)
Black Wire Negative (-)
- * Weight : 166g (5.85 oz)

P & Q CURVE (AT RATED VOLTAGE)



| MODEL | | | Rated Voltage | Operating Voltage Range | Rated Current | Rated Input Power | Speed | Maximum Air Flow | | Maximum Air Pressure | | Noise |
|----------|------|----------|---------------|-------------------------|---------------|-------------------|--------|---------------------|-------|----------------------|---------------------|-------|
| PART NO. | REV. | FUNCTION | VDC | VDC | Amp | Watt | R.P.M. | m ³ /min | CFM | mmH ₂ O | IN H ₂ O | dB-A |
| BFB1012L | -A | R00/F00 | 12 | 4.0 to 13.2 | 0.37 | 4.44 | 2700 | 0.656 | 23.17 | 14.85 | 0.585 | 49.5 |
| BFB1012M | -A | R00/F00 | 12 | 4.0 to 13.2 | 0.55 | 6.60 | 3200 | 0.777 | 27.44 | 22.68 | 0.893 | 52.5 |

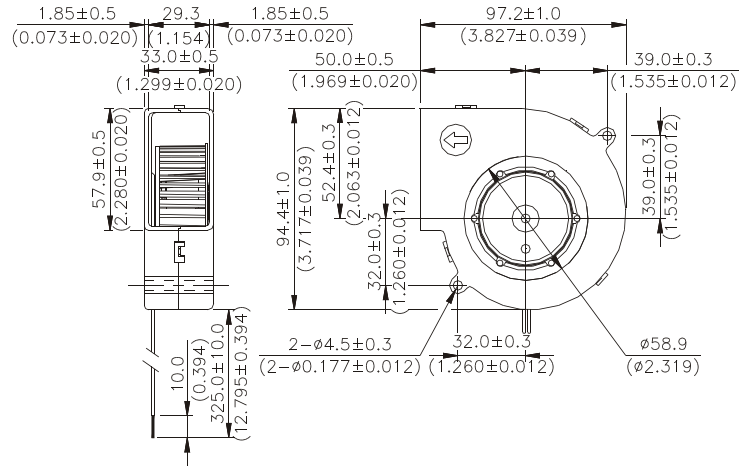
* Function type is optional.
 * The max. air flow and the speed are measured in free air ; max. air pressure is measured at zero air flow.
 * Noise is measured in anechoic chamber in free air, one meter from intake side.
 * All readings are typical values at rated voltage.
 * Specifications are subject to change without notice.

New



BFB 97 x 94 x 33 MM SERIES

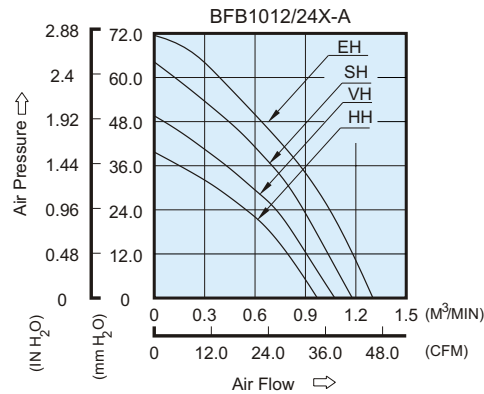
DIMENSIONS DRAWING



UNIT: $\frac{\text{mm}}{\text{(INCH)}}$

- * Bearing Type
Ball Bearings
- * Material
Impeller & Frame : Plastic (UL 94V-0)
- * Lead Wires :
UL 1007 AWG #24 OR Equivalent
Red Wire Positive (+)
Black Wire Negative (-)
- * Weight : 180g (6.35 oz)

P & Q CURVE (AT RATED VOLTAGE)



| MODEL | | | Rated Voltage | Operating Voltage Range | Rated Current | Rated Input Power | Speed | Maximum Air Flow | | Maximum Air Pressure | | Noise |
|-----------|------|----------|---------------|-------------------------|---------------|-------------------|--------|---------------------|-------|----------------------|---------------------|-------|
| PART NO. | REV. | FUNCTION | VDC | VDC | Amp | Watt | R.P.M. | m ³ /min | CFM | mmH ₂ O | IN H ₂ O | dB-A |
| BFB1012HH | -A | R00/F00 | 12 | 7.0 to 13.2 | 1.25 | 15.00 | 4000 | 0.971 | 34.28 | 39.70 | 1.564 | 57.0 |
| BFB1012VH | -A | R00/F00 | 12 | 7.0 to 13.2 | 1.50 | 18.00 | 4500 | 1.075 | 37.97 | 49.58 | 1.952 | 60.0 |
| BFB1012SH | -A | R00/F00 | 12 | 7.0 to 12.6 | 2.00 | 24.00 | 5000 | 1.179 | 41.65 | 64.23 | 2.529 | 63.0 |
| BFB1012EH | -A | R00/F00 | 12 | 7.0 to 12.6 | 2.45 | 29.40 | 5300 | 1.302 | 46.00 | 71.48 | 2.814 | 64.0 |

* Function type is optional.
 * The max. air flow and the speed are measured in free air ; max. air pressure is measured at zero air flow.
 * Noise is measured in anechoic chamber in free air, one meter from intake side.
 * All readings are typical values at rated voltage.
 * Specifications are subject to change without notice.

AMEYA360

Components Supply Platform

Authorized Distribution Brand :



Website :

Welcome to visit www.ameya360.com

Contact Us :

➤ Address :

401 Building No.5, JiuGe Business Center, Lane 2301, Yishan Rd
Minhang District, Shanghai , China

➤ Sales :

Direct +86 (21) 6401-6692

Email amall@ameya360.com

QQ 800077892

Skype [ameyasales1](#) [ameyasales2](#)

➤ Customer Service :

Email service@ameya360.com

➤ Partnership :

Tel +86 (21) 64016692-8333

Email mkt@ameya360.com