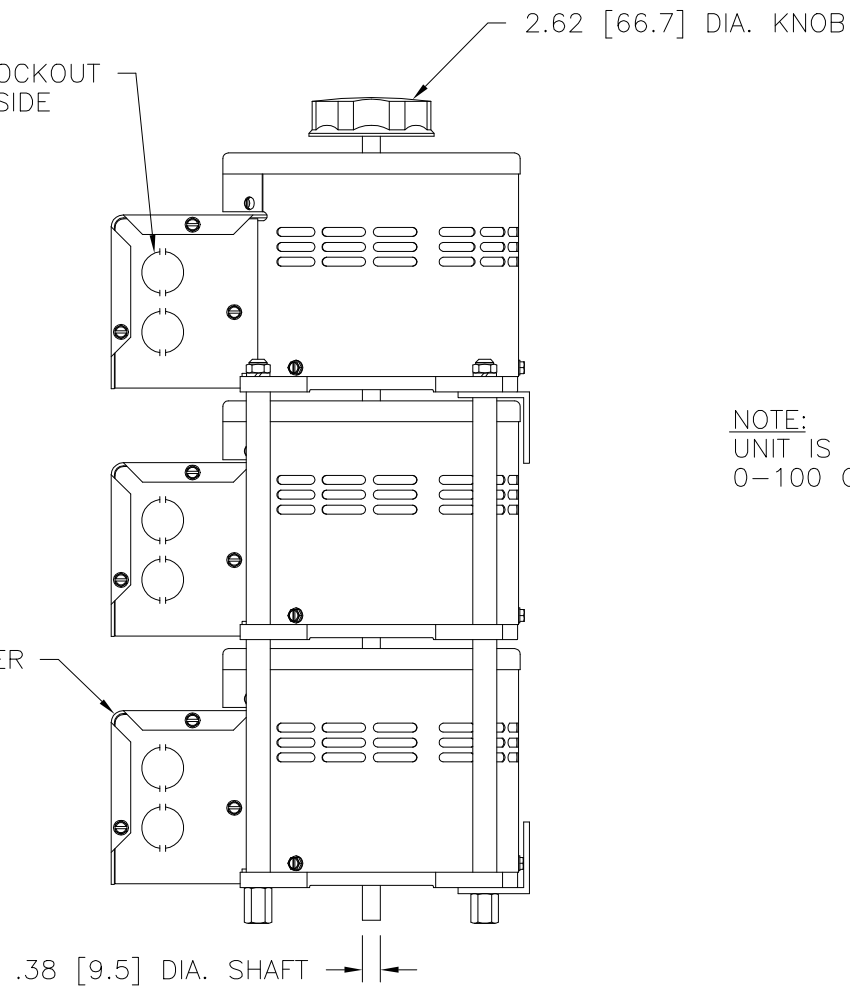
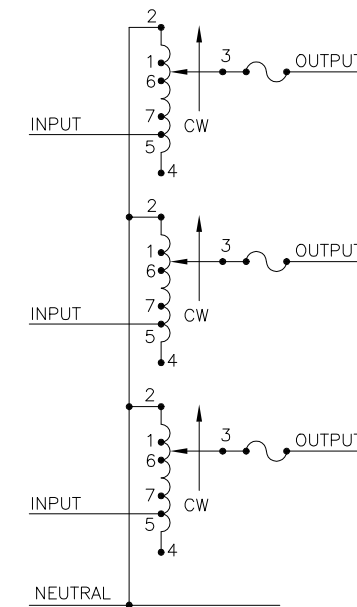


.88 [22.2] DIA. KNOCKOUT
 6 PLACES - THIS SIDE
 AND OPPOSITE



NOTE:
 UNIT IS SUPPLIED WITH A 3.50 [95.2] DIA.
 0-100 GRADUATED DIAL PLATE FOR PANEL MOUNTING.



SCHEMATIC
 THREE PHASE WYE
 FUSES RECOMMENDED BUT NOT SUPPLIED

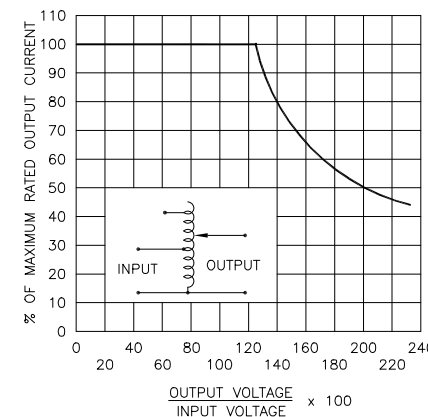
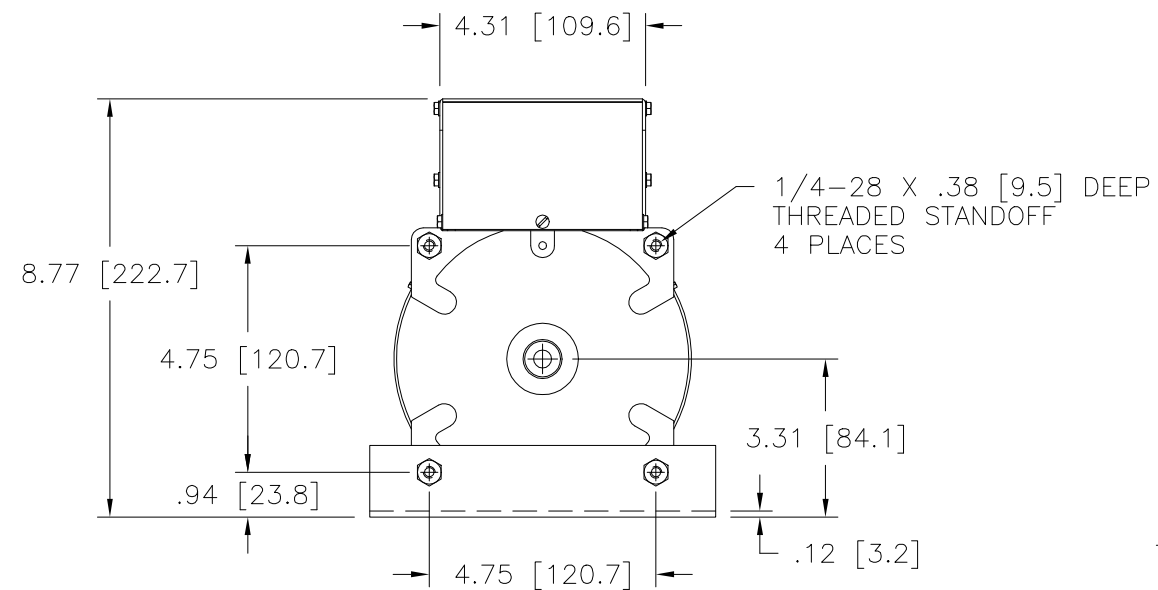


FIGURE A
 MAXIMUM OUTPUT CURRENT OF ANY
 DUAL INPUT VOLTAGE OR VOLTAGE DOUBLER
 UNIT OPERATED AT LOWER INPUT VOLTAGE.

MAXIMUM OUTPUT CURRENT IN OUTPUT VOLTAGE RANGE FROM 0 TO 25% ABOVE LINE VOLTAGE. AT HIGHER OUTPUT VOLTAGES, THE OUTPUT CURRENT MUST BE REDUCED ACCORDING TO THE DERATING CURVE FIGURE A.

§ MAXIMUM KVA AT MAXIMUM OUTPUT VOLTAGE AND CORRESPONDING DERATED OUTPUT CURRENT. MAXIMUM KVA FOR LOWER VOLTAGES MAY BE CALCULATED FROM DERATING CURVE FIGURE A.

++ LINE TO LINE VOLTAGE.

∏ IF GANGED UNITS ARE USED IN A SYSTEM THAT ORDINARILY HAS A COMMON NEUTRAL OR GROUND BETWEEN SOURCE AND LOAD, THE NEUTRAL OR GROUND MUST BE CONNECTED TO THE COMMON TERMINALS OF THE VARIABLE TRANSFORMER ASSEMBLY. IF THE SYSTEM HAS NO NEUTRAL, THE LOAD MUST BE BALANCED OR THE TRANSFORMER WILL BE DAMAGED.

■ JUMPER PROVIDED IN STANDARD COMMON POSITION AND SHOULD BE MOVED OR REMOVED AS REQUIRED.

| SPECIFICATIONS | | | | | | | | | | | |
|-------------------|--------|-------|--------|-----------------------|-------------------------|--|------------------------------------|----------------------|-------|--------|--------|
| WIRING | INPUT | | OUTPUT | | | | SHAFT ROTATION TO INCREASE VOLTAGE | TERMINAL CONNECTIONS | | | |
| | VOLTS | HERTZ | VOLTS | CONSTANT CURRENT LOAD | CONSTANT IMPEDANCE LOAD | FOR INCREASING VOLTAGE AS VIEWED FROM BASE END ■ | | | | | |
| | | | | MAX. AMPS | MAX. KVA | MAX. AMPS | MAX. KVA | | INPUT | JUMPER | OUTPUT |
| THREE PHASE WYE ∏ | 480 ++ | 50/60 | 0-480 | 9.5 | 7.90 | 12 | 10 | CW | 2-2-2 | 4-4-4 | 3-3-3 |
| | | 60 | 0-560 | 9.5 | 9.21 | — | — | CCW | 4-4-4 | 2-2-2 | 3-3-3 |
| | 240 ++ | 60 | 0-560 | 9.5# | 3.96 § | — | — | CW | 1-1-1 | 4-4-4 | 3-3-3 |
| | | | | | | | | CCW | 5-5-5 | 2-2-2 | 3-3-3 |
| | | | | | | | | CCW | 7-7-7 | 4-4-4 | 3-3-3 |
| | | | | | | | | CCW | 6-6-6 | 2-2-2 | 3-3-3 |

UNLESS OTHERWISE SPECIFIED, TOLERANCE IS *
 DECIMALS .06 HOLES .01 ANGLES DRAFT 1° 1-1/2°
 XX .0005 .0002 .01

MATERIAL: ALL DIMENSIONS APPLY AFTER PLATING

TITLE: SPEC. CONTROL DRAWING
 VARIABLE TRANSFORMER
 MODEL: 1520CT-3

STACO ENERGY PRODUCTS CO.
 A COMPONENTS CORPORATION OF AMERICA COMPANY
 DAYTON, OHIO U.S.A.

DRAWN BY: S.A. SMITH DATE: 3/6/97 FIRST USED ON: 1520CT-3 DO NOT SCALE DWG.
 CHECKER: DATE: WEIGHT APPROX.: 66 LBS CODE IDENT. NO.: 83008 DWG. NO.: 031-3975
 ENGINEER: DATE: SCALE: .50=1 SHEET 1 OF 1

Mouser Electronics

Authorized Distributor

Click to View Pricing, Inventory, Delivery & Lifecycle Information:

[Staco:](#)

[1520CT-3](#)