

Customer Information Sheet

DRAWING No.: M80-788XXX

SHEET 2 OF 2

IF IN DOUBT - ASK

©

NOT TO SCALE

THIRD ANGLE PROJECTION

ALL DIMENSIONS IN mm

SPECIFICATION:

MATERIAL:
 MOULDING = GLASS-FILLED POLYAMIDE 46 UL94V-0, BLACK
 CLIP = BERYLLIUM COPPER
 SHELL = BRASS
FINISH (ALL OVER NICKEL):
CONTACTS:
 01 = 0.30µ GOLD CLIP, 4.0µ 100% TIN SHELL
 05 = 0.30µ GOLD CLIP, 0.28µ GOLD SHELL

ELECTRICAL:
 CURRENT RATING AT 25°C = 3.0A MAX
 CURRENT RATING AT 85°C = 2.2A MAX
 WORKING VOLTAGE = 120V AC/DC
 VOLTAGE PROOF = 360V AC/DC
CONTACT RESISTANCE:
 INITIAL = 20mΩ MAX
 AFTER CONDITIONING = 25mΩ MAX
INSULATION RESISTANCE:
 INITIAL = 1000MΩ MIN
 AFTER CONDITIONING = 100MΩ MIN

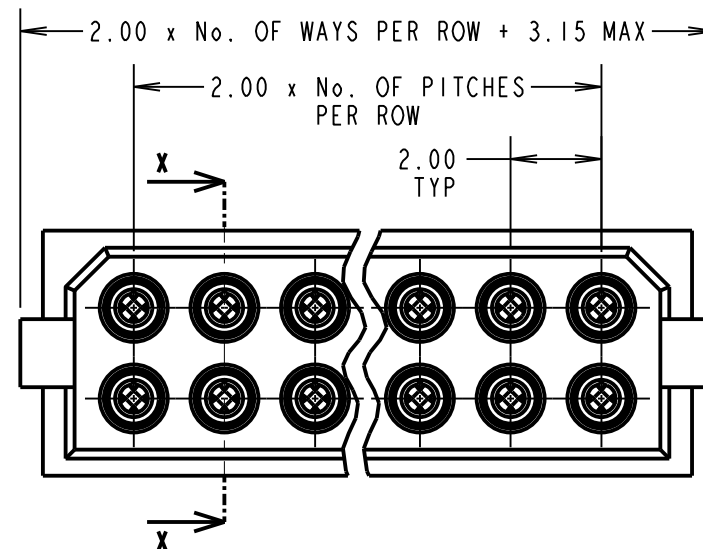
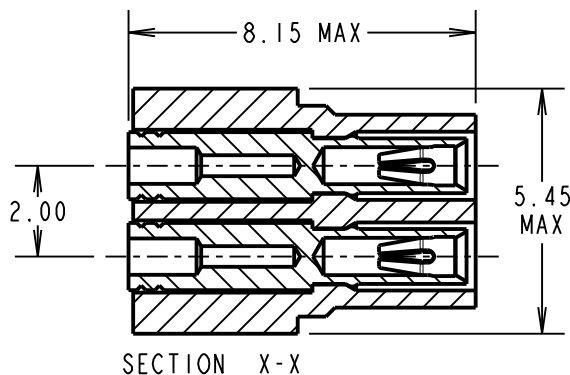
MECHANICAL:
 DURABILITY = 500 OPERATIONS
 INSERTION FORCE = 2.8N MAX, 1.0N MIN
 WITHDRAWAL FORCE = 1.8N MAX, 0.2N MIN

ENVIRONMENTAL:
 TEMPERATURE RANGE = -55°C TO +125°C

PACKING:
 BAG (CONTACTS AND MOULDINGS UN-ASSEMBLED)
 FOR COMPLETE SPECIFICATION, SEE COMPONENT SPECIFICATION C005XX (LATEST ISSUE)

NOTES:

- RECOMMENDED WIRE TYPE = PTFE INSULATED, 28 - 32 AWG BS3G210 TYPE A OR MIL-W-16878 TYPE ET WIRE.
 MAX INSULATION DIAMETER = $\varnothing 0.75\text{mm}$, STRIP WIRE BY 2.00mm.
- RECOMMENDED HAND CRIMP TOOL = M22520/2-01 WITH POSITIONER T5747. REFER TO M22520/2-01 INSTRUCTION SHEET FOR COMPLETE CRIMPING INSTRUCTIONS.
- CONTACT INSERTION AND EXTRACTION TOOL = Z80-280.
- FOR EXTRA CONTACTS, USE ORDER CODE:
 M80-0190001 FOR M80-788XX01 & M80-0190005 FOR M80-788XX05



ORDER CODE:
M80-788XXX

TOTAL No. OF WAYS: _____
 04 - 20, 26, 34
 (EVEN No.S ONLY)

FINISH: _____
 01 - GOLD CLIP, TIN SHELL
 05 - GOLD CLIP, GOLD SHELL

SB	3	27.01.12	11637
NAME	ISS.	DATE	C/NOTE
APPROVED: S.BENNETT			
CHECKED: S.FLOWER			
DRAWN: S. MCCULLAGH			
CUSTOMER REF.:			
ASSEMBLY DRG:			

HARWIN

www.harwin.com
 technical@harwin.com

THIS DRAWING AND ANY INFORMATION OR DESCRIPTIVE MATTER SET OUT HEREON ARE CONFIDENTIAL AND COPYRIGHT PROPERTY OF THE HARWIN GROUP AND MUST NOT BE DISCLOSED, LOANED, COPIED OR USED FOR MANUFACTURING, TENDERING OR FOR ANY OTHER PURPOSE WITHOUT THEIR WRITTEN PERMISSION.

TOLERANCES
 X. = $\pm 1\text{mm}$
 X.X = $\pm 0.25\text{mm}$
 X.XX = $\pm 0.10\text{mm}$
 X.XXX = $\pm 0.01\text{mm}$
ANGLES = $\pm 5^\circ$
UNLESS STATED

MATERIAL:
 SEE ABOVE

FINISH: SEE ABOVE

S/AREA: mm²

TITLE: DATAMATE L-TEK
 DIL SOCKET CRIMP ASSY
 EXTRA SMALL BORE (28 - 32AWG)

DRAWING NUMBER:
M80-788XXX

SHT
 2 OF 2

Mouser Electronics

Authorized Distributor

Click to View Pricing, Inventory, Delivery & Lifecycle Information:

Harwin:

[M80-8080205](#) [M80-7880405](#) [M80-7880605](#) [M80-7880805](#) [M80-7881005](#) [M80-7881205](#) [M80-7881405](#) [M80-7881605](#) [M80-7881805](#) [M80-7882005](#) [M80-7882605](#) [M80-7883405](#) [M80-7881001](#) [M80-7882601](#) [M80-7881601](#) [M80-7880801](#) [M80-7881201](#) [M80-7881801](#) [M80-7882001](#) [M80-7880401](#) [M80-7881401](#) [M80-7880601](#) [M80-7883401](#) [M80-8671405](#) [M80-7920322](#) [M80-8671005](#) [M80-7712022](#) [M80-7920222](#) [M80-7820422](#) [M80-7541622](#) [M80-7911422](#) [M80-7810222](#) [M80-8820622](#) [M80-7931722](#) [M80-7701001](#) [M80-6811601P](#) [M80-7911622](#) [M80-8522222](#) [M80-7710822](#) [M80-8940305](#) [M80-8281222P](#) [M80-6814401P](#) [M80-7532022](#) [M80-7810322](#) [M80-7900501](#) [M80-7710622](#) [M80-8820322](#) [M80-7920622](#) [M80-8282022P](#) [M80-7521722](#) [M80-7631222](#) [M80-7891422](#) [M80-8283422P](#) [M80-7891222](#) [M80-7542022](#) [M80-7820522](#) [M80-7960222](#) [M80-8280822P](#) [M80-7522222](#) [M80-8282622P](#) [M80-7631422](#) [M80-7532622](#) [M80-7900601](#) [M80-8281822P](#) [M80-7520722](#) [M80-8822222](#) [M80-6810601P](#) [M80-8281622P](#) [M80-7911822](#) [M80-8281422P](#) [M80-7891622](#) [M80-7631622](#) [M80-7541822](#) [M80-8281022P](#) [M80-7920722](#) [M80-8280422P](#) [M80-7820222](#) [M80-7701201](#) [M80-7932222](#) [M80-7900201](#) [M80-7820622](#) [M80-8661405](#) [M80-7700601](#) [M80-7890822](#) [M80-7531422](#) [M80-7930622](#) [M80-8671805](#) [M80-8520322](#) [M80-7520522](#) [M80-7704401](#) [M80-7961722](#) [M80-8520622](#) [M80-8050605](#) [M80-8820522](#) [M80-7700801](#) [M80-6811401P](#) [M80-7900301](#) [M80-7891022](#) [M80-7520622](#) [M80-7962222](#)