



RoHS Compliant

Features

- High reliability, high temperature withstanding ceramic case
- Rectangular shape allows easy pick and placement
- Small & low profile
- Reflow solderable
- Excellent Solderability(Nickel barrier+Au flush termination)

How to Order

PBRC 15.00 G R 10 Y 0AB
① ② ③ ④ ⑤ ⑥ ⑦

- ① Series (PBRC: Consumer)
- ② Frequency (MHz)
- ③ Type(G,L)
- ④ Packing _ Bulk (Null)
R Reel

⑤ Frequency Tolerance at 25°C

10	±0.1%	20	±0.2%
30	±0.3%	40	±0.4%
50	±0.5%	70	±0.7%

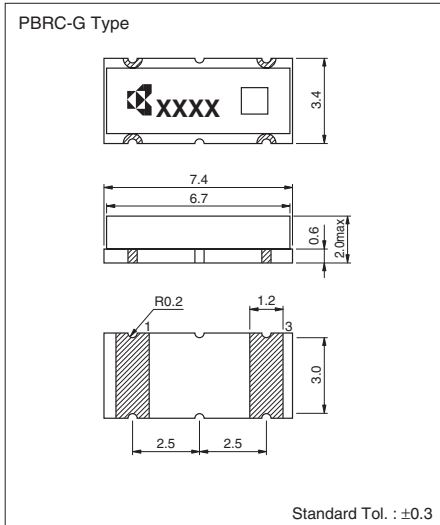
⑥ Operating temperature

X	-40 / 85°C	Y	-40 / 125°C
Z	-40 / 150°C		

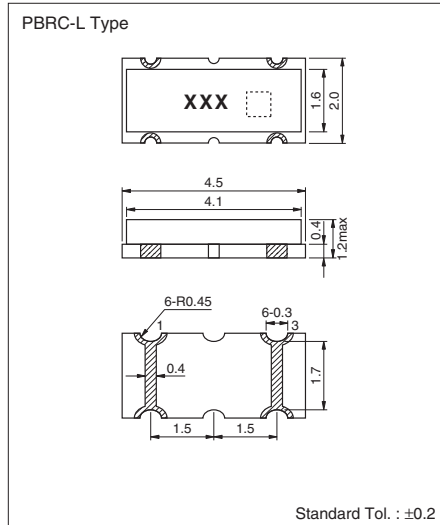
⑦ Unique code

Dimensions

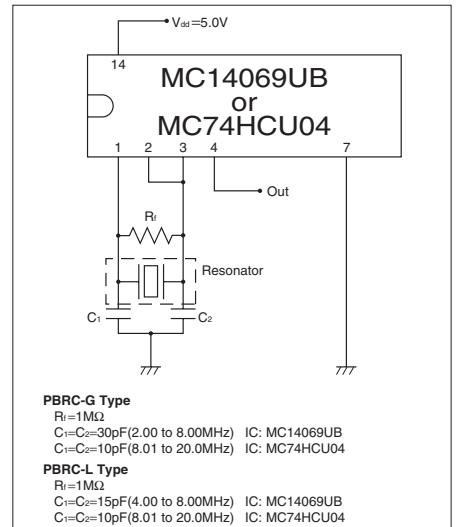
(Unit : mm)



(Unit : mm)



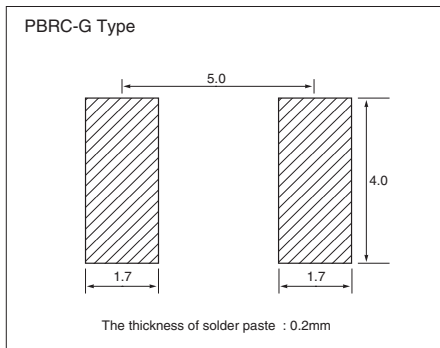
Test Circuit



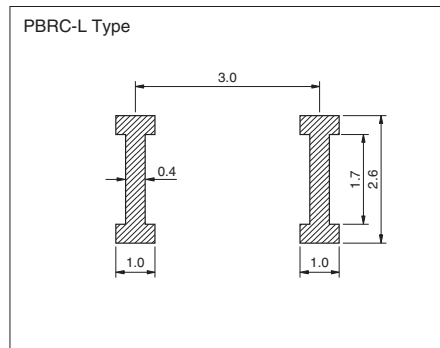
Remark:
C1 and C2 are referenced capacitance values to measure each parameter under.
The right test circuit(IC: MC14069UD).
C1 and C2 values would be modified depend upon various IC to be used.

Recommended Land Pattern

(Unit : mm)



(Unit : mm)



Specifications

Series	Frequency Range(MHz)	Frequency Tolerance(25°C)	Temperature Stability
PBRC-G	2.00 to 8.00	±0.5% (op. ±0.3%)	±0.5% (-40 to 85°C)
	8.01 to 20.0	±0.7% (op. ±0.5%)	±0.1% (-40 to 85°C)
PBRC-L	3.68 to 8.00	±0.5% (op. ±0.3%)	±0.5% (-40 to 85°C)
	8.01 to 20.0	±0.7% (op. ±0.5%)	±0.1% (-40 to 85°C)

Please contact our local sales office if you need over 8MHz.



RoHS Compliant

Features

- High reliability, high temperature withstanding ceramic case
- Rectangular shape allows easy pick and placement
- Small & low profile
- Reflow solderable
- Excellent Solderability(Nickel barrier+Au flush termination)

How to Order

PBRC 15.00 H R 10 Y 0AB
① ② ③ ④ ⑤ ⑥ ⑦

- ① Series (PBRC: Consumer)
- ② Frequency (MHz)
- ③ Type(H,M)
- ④ Packing _ Bulk (Null)
R Reel

⑤ Frequency Tolerance at 25°C

10	±0.1%	20	±0.2%
30	±0.3%	40	±0.4%
50	±0.5%	70	±0.7%

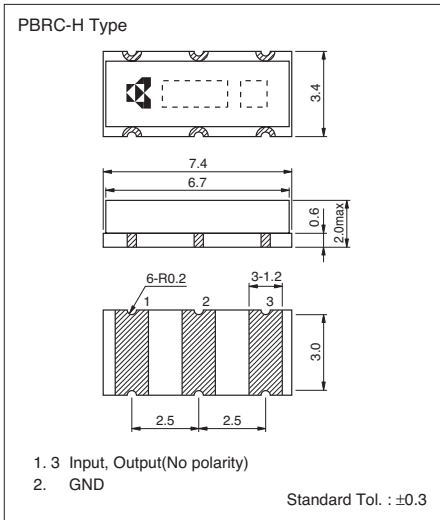
⑥ Operating temperature

X	-40 / 85°C	Y	-40 / 125°C
Z	-40 / 150°C		

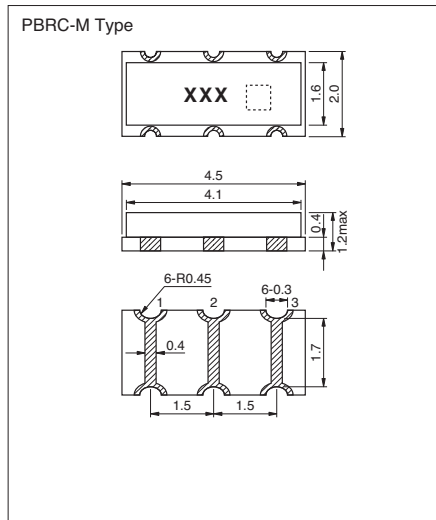
⑦ Unique code

Dimensions

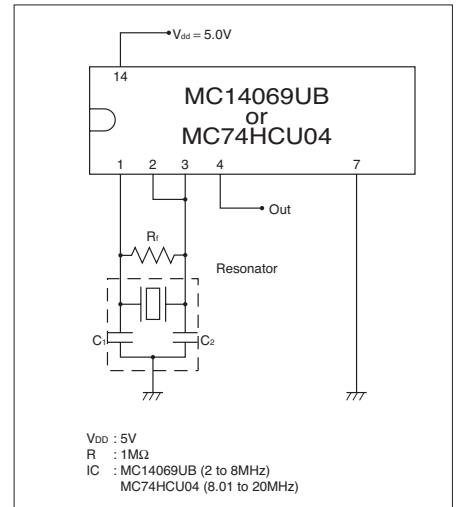
(Unit : mm)



#	Pin #
1	Input
2	Ground
3	Output



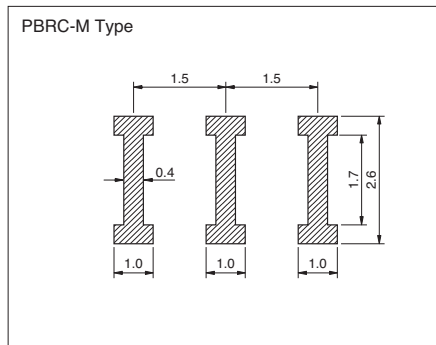
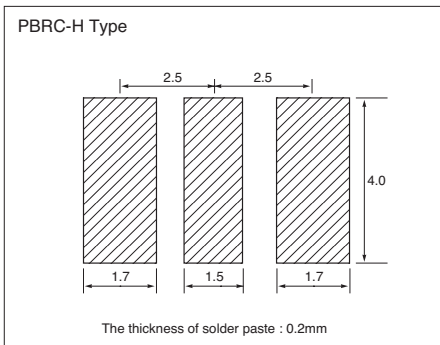
Test Circuit



Notice
Please refer to IC Application Guide on our WEB site for IC matching.

Recommended Land pattern

(Unit : mm)



Specifications

Series	Frequency Range(MHz)	Frequency Tolerance(25°C)	Temperature Stability
PBRC-H	2.00 to 8.00	±0.5% (op. ±0.3%)	±0.5% (-40 to 85°C)
	8.01 to 20.0	±0.7% (op. ±0.5%)	±0.1% (-40 to 85°C)
PBRC-M	3.68 to 8.00	±0.5% (op. ±0.3%)	±0.5% (-40 to 85°C)
	8.01 to 20.0	±0.7% (op. ±0.5%)	±0.1% (-40 to 85°C)

Please contact our local sales office if you need over 8MHz.

Mouser Electronics

Authorized Distributor

Click to View Pricing, Inventory, Delivery & Lifecycle Information:

AVX:

[PBRC-4.00HR03](#) [PBRC-20.00GR](#) [PBRC-4.19AR](#) [PBRC-16.00BR07](#) [PBRC4.00MR50X000](#) [PBRC6.00MR50X000](#)
[PBRC2.45HR50X000](#) [PBRC3.68HR50X000](#) [PBRC20.00MR70X000](#) [PBRC5.00HR50X000](#) [PBRC4.19HR50X000](#)
[PBRC7.37HR50X000](#) [PBRC4.91HR50X000](#) [PBRC5.00MR50X000](#) [PBRC4.91MR50X000](#) [PBRC-11.06BR07](#) [PBRC-](#)
[12.00HR](#) [PBRC-2.45BR](#) [PBRC-8.00BR](#) [PBRC-20.00BR](#) [PBRC-4.91HR](#) [PBRC-10.00HR](#) [PBRC-4.00BR-AL](#)
[PBRC4.19GR50X000](#) [PBRC4.00HR50X000](#) [PBRC14.74HR70X000](#) [PBRC7.00HR50X000](#) [PBRC6.96HR50X000](#)
[PBRC4.19MR50X000](#) [PBRC8.00MR50X000](#) [PBRC11.06HR70X000](#) [PBRC11.06MR70X000](#) [PBRC8.00HR50X000](#)
[PBRC6.00HR50X000](#) [PBRC20.00HR70X000](#) [PBRC3.58HR50X000](#) [PBRC16.00MR70X000](#) [PBRC7.37MR50X000](#)
[PBRC10.00MR70X000](#) [PBRC18.43HR70X000](#) [PBRC-3.58HR](#) [PBRC2.00HR50X000](#) [PBRC-10.24BR07](#) [PBRC-](#)
[10.70BR07](#) [PBRC-12.28BR07](#) [PBRC-12.29BR07](#) [PBRC-14.31BR07](#) [PBRC-14.32BR07](#) [PBRC-14.60BR07](#) [PBRC-](#)
[14.74HR](#) [PBRC-15.00BR07](#) [PBRC-2.41AR](#) [PBRC-2.43AR](#) [PBRC-2.44AR](#) [PBRC-2.50AR](#) [PBRC-2.56AR](#) [PBRC-](#)
[3.00AR](#) [PBRC-3.18BR](#) [PBRC-3.20BR](#) [PBRC-3.24AR](#) [PBRC-3.38BR](#) [PBRC-3.60AR](#) [PBRC-3.69BR](#) [PBRC-3.93AR](#)
[PBRC-3.98AR](#) [PBRC-4.50AR](#) [PBRC-4.92AR](#) [PBRC-5.00BR](#) [PBRC-5.06BR](#) [PBRC-5.46BRVAL](#) [PBRC-5.64BR](#)
[PBRC-6.60BR](#) [PBRC-6.69GR](#) [PBRC-6.75AR](#) [PBRC-6.96BR03](#) [PBRC-8.00GR](#) [PBRC-9.00BR07](#)
[PBRC12.00MR70X000](#)