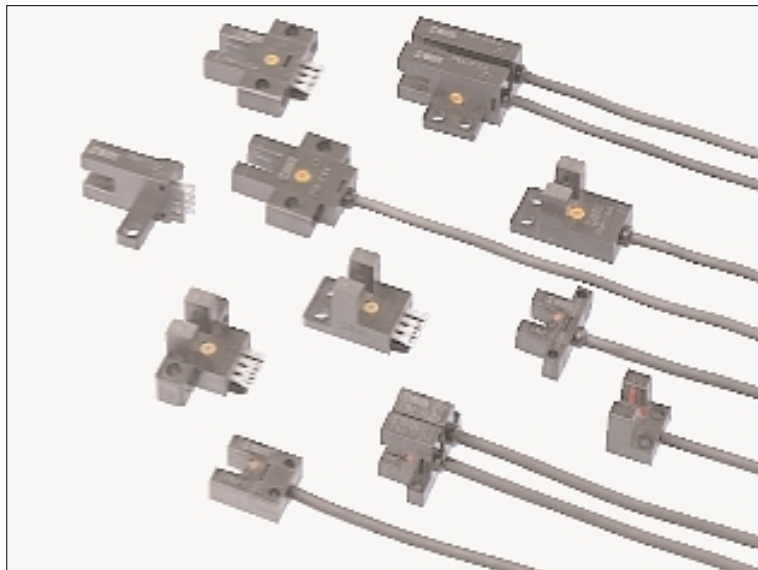


PM SERIES

U-shaped Micro Photoelectric Sensor



PNP output
type available



**Extremely small size
enables space saving
and quick installation!**



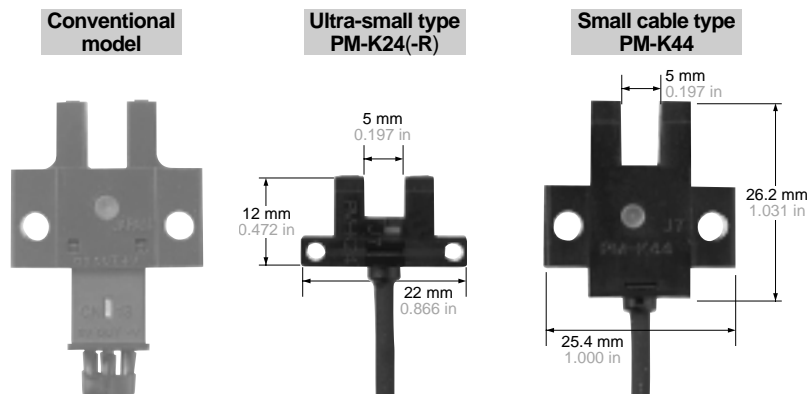
Conforming to
EMC Directive



UL Recognition

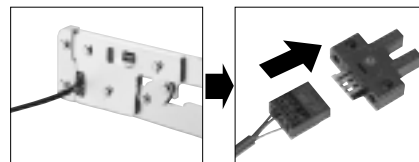
Extremely small

Ultra-small type **PM-□24(-R)** contributes to the miniaturization of your equipment. Even the small cable type has become very compact.



Quick fitting hook-up connector

Easy to maintain connector type models are available. Its exclusive connector is the industry's first hook-up connector. Since only crimping with exclusive pliers is to be done, cumbersome soldering or insulation is absolutely not required. Further, connector attached cable is also available.



Crimp the connector
on the cable.

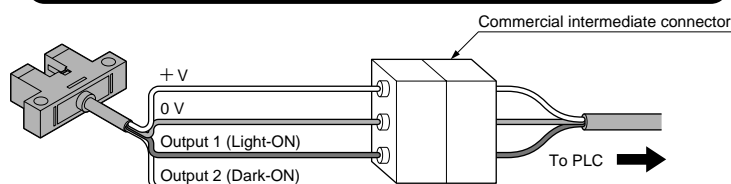
Quick connection to
the sensor.

Equipped with two independent outputs

All models are equipped with two independent outputs – Light-ON and Dark-ON. Hence, one model suffices even if the output is to be used differently, depending upon the location of use.

Also, since two independent outputs have been provided, cumbersome handling of the output conversion control input, or fear of logic inversion due to a cable break, is eliminated. The sensor can be connected to the existing wiring as it is.

Example of connection with a commercial intermediate connector



Just connect the cable of the used output (either Light-ON or Dark-ON).

Connected device side can be left as it is.

Note: Ensure to insulate the unused output wire.

Wide model variety

A wide variety of 17 shapes and 34 models is available. You may select from this wide range to suit the mounting conditions.

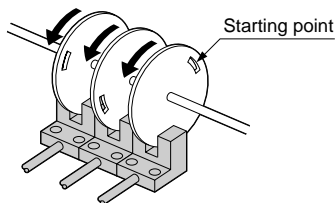
Meets global requirements

Conforms to Europe's EMC Directive and obtains UL Recognition. Both, NPN and PNP output models are available.

APPLICATIONS

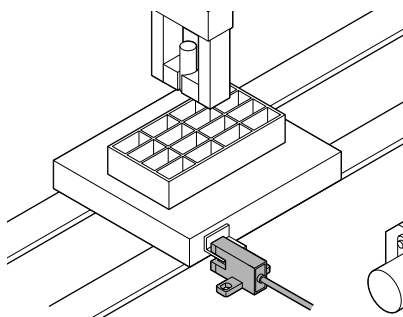
Sensing the starting point on a rotating body

The starting point can be sensed by making a slit in the rotating body.



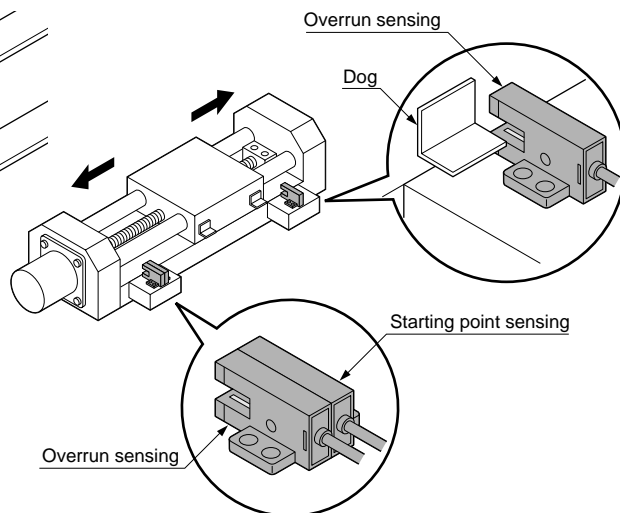
Determining the pallet position

Pallet is stopped by sensing the dog.



Sensing the starting point and overrun of a moving body

Starting point and overrun is sensed using the dog on the base.



ORDER GUIDE

Type	Appearance (mm in)	Sensing range	Model No. (Note)	Output	Output operation
Ultra-small	K type 		PM-K24	NPN open-collector transistor	Incorporated with 2 outputs: Light-ON / Dark-ON
			PM-K24-R		
	L type 		PM-L24		
			PM-L24-R		
	F type 		PM-F24		
			PM-F24-R		
	R type 		PM-R24		
			PM-R24-R		
	U type 		PM-U24		
			PM-U24-R		

Note: The suffix '-R' indicates a flexible cable type.

Amplifier Built-in
CY
PX-2
RT-610
MS-AJ
Sensor Mounting Stand
Micro
PM
PM2
Multi-voltage
NX5
VF
EQ-500

ORDER GUIDE

Type	Appearance (mm in)	Sensing range	Model No.	Output	Output operation	
Small	With cable	5 mm 0.197 in (fixed)	K type		PM-K44	NPN open-collector transistor
			T type		PM-K44P	PNP open-collector transistor
			L type		PM-T44	NPN open-collector transistor
			Y type		PM-T44P	PNP open-collector transistor
			F type		PM-L44	NPN open-collector transistor
			R type		PM-L44P	PNP open-collector transistor
			Y type		PM-Y44	NPN open-collector transistor
			F type		PM-Y44P	PNP open-collector transistor
			R type		PM-F44	NPN open-collector transistor
	With connector		K type		PM-F44P	PNP open-collector transistor
			T type		PM-R44	NPN open-collector transistor
			L type		PM-R44P	PNP open-collector transistor
			Y type		PM-K54	NPN open-collector transistor
			F type		PM-K54P	PNP open-collector transistor
			R type		PM-T54	NPN open-collector transistor
			Y type		PM-T54P	PNP open-collector transistor
			F type		PM-L54	NPN open-collector transistor
			R type		PM-L54P	PNP open-collector transistor
			PM-Y54	NPN open-collector transistor		
			PM-Y54P	PNP open-collector transistor		
			PM-F54	NPN open-collector transistor		
			PM-F54P	PNP open-collector transistor		
			PM-R54	NPN open-collector transistor		
			PM-R54P	PNP open-collector transistor		

Incorporated with 2 outputs: Light-ON / Dark-ON

ORDER GUIDE

3 m 9.843 ft cable length type

3 m 9.843 ft cable length type (standard : 1 m 3.281 ft) is also available.

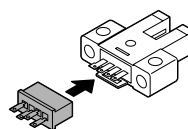
• Table of Model Nos.

Type		Standard	3 m 9.843 ft cable length type	
Ultra-Small	K Type	PM-K24	PM-K24-C3	
	L Type	PM-L24	PM-L24-C3	
	F Type	PM-F24	PM-F24-C3	
	R Type	PM-R24	PM-R24-C3	
	U Type	PM-U24	PM-U24-C3	
Small With Cable	K Type	NPN out put	PM-K44	PM-K44-C3
		PNP out put	PM-K44P	PM-K44P-C3
	T Type	NPN out put	PM-T44	PM-T44-C3
		PNP out put	PM-T44P	PM-T44P-C3
	L Type	NPN out put	PM-L44	PM-L44-C3
		PNP out put	PM-L44P	PM-L44P-C3
	Y Type	NPN out put	PM-Y44	PM-Y44-C3
		PNP out put	PM-Y44P	PM-Y44P-C3
	F Type	NPN out put	PM-F44	PM-F44-C3
		PNP out put	PM-F44P	PM-F44P-C3
	R Type	NPN out put	PM-R44	PM-R44-C3
		PNP out put	PM-R44P	PM-R44P-C3

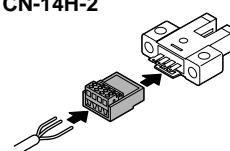
OPTIONS

Designation	Model No.	Description
Connector	CN-14	Connector for soldering
Hook-up connector	CN-14H	This connector can be hooked-up on 0.08 to 0.2 mm ² cable simply in one grip. Wire diameter: ϕ 0.7 to ϕ 1.2 mm ϕ 0.028 to ϕ 0.047 in
	CN-14H-2	Suitable for UL standard cable. This connector can be hooked-up on 0.18 to 0.22 mm ² cable simply in one grip. Wire diameter: ϕ 1.2 to ϕ 1.52 mm ϕ 0.047 to ϕ 0.060 in
Connector attached cable	CN-14H-C1	Length: 1 m 3.281 ft Weight: 20 g approx. For the connector type, with 0.18 mm ² 4-core cabtyre cable
	CN-14H-C3	Length: 3 m 9.843 ft Weight: 60 g approx. Cable diameter: ϕ 3.8 mm ϕ 0.150 in
Hook-up pliers	CN-HP	These are exclusive pliers for hook-up connectors CN-14H and CN-14H-2 .
Mounting screw	MS-M2	Mounting screw with washers for the ultra-small type sensor (50 pcs. lot). It can mount securely as it is spring washer attached.

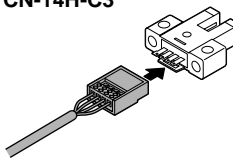
Connector • CN-14



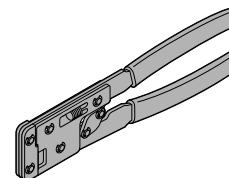
Hook-up connector • CN-14H • CN-14H-2



Connector attached cable • CN-14H-C1 • CN-14H-C3



Hook-up pliers • CN-HP



Mounting screw • MS-M2

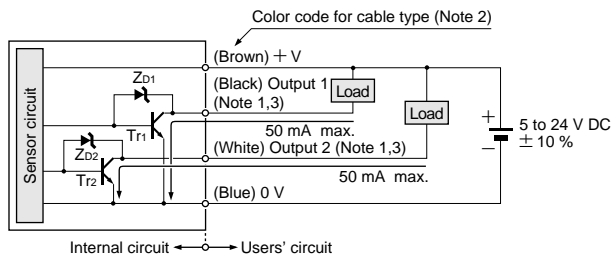


Amplifier Built-in
CY
PX-2
RT-610
Sensor Mounting Stand
MS-AJ
Micro
PM
PM2
NX5
Multi-voltage
VF
EQ-500

I/O CIRCUIT AND WIRING DIAGRAMS

PM-□24 PM-□24-R NPN output type
PM-□44 PM-□54

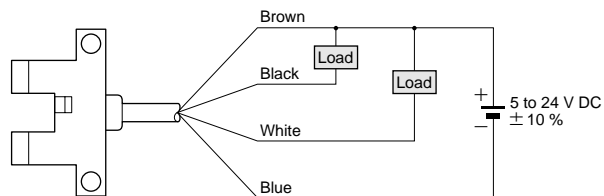
I/O circuit diagram



- Notes: 1) Make sure to connect terminals correctly as the sensor does not incorporate a reverse polarity protection circuit. Further, the output is not incorporated with a short-circuit protection circuit. Do not connect it directly to a power supply or a capacitive load. Faulty wiring may result in damage.
2) The color code of the connector attached cable is also the same.
3) Ensure to insulate the unused output wire.

Symbols ... Zd1, Zd2: Surge absorption zener diode
Tr1, Tr2 : NPN output transistor

Wiring diagram

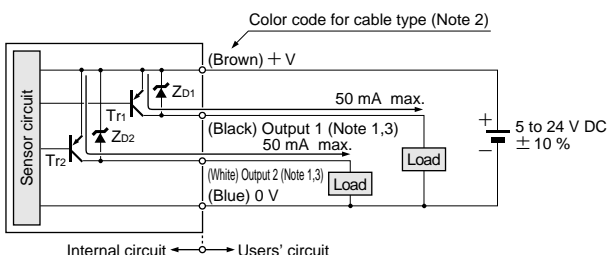


Output operation

	Color code	Output operation
Output 1	Black	Light-ON
Output 2	White	Dark-ON

PM-□44P PNP output type
PM-□54P

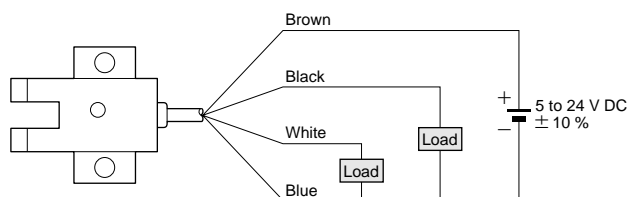
I/O circuit diagram



- Notes: 1) Make sure to connect terminals correctly as the sensor does not incorporate a reverse polarity protection circuit. Further, the output is not incorporated with a short-circuit protection circuit. Do not connect it directly to a power supply or a capacitive load. Faulty wiring may result in damage.
2) The color code of the connector attached cable is also the same.
3) Ensure to insulate the unused output wire.

Symbols ... Zd1, Zd2: Surge absorption zener diode
Tr1, Tr2 : PNP output transistor

Wiring diagram



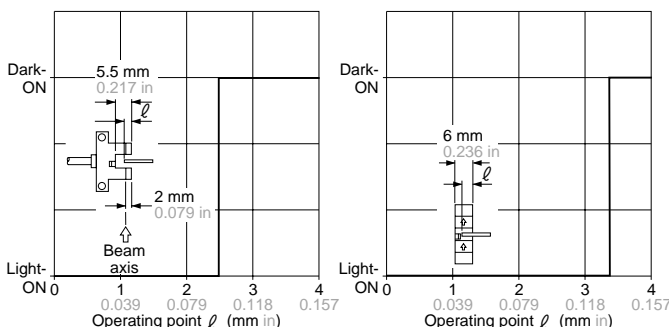
Output operation

	Color code	Output operation
Output 1	Black	Light-ON
Output 2	White	Dark-ON

SENSING CHARACTERISTICS (TYPICAL)

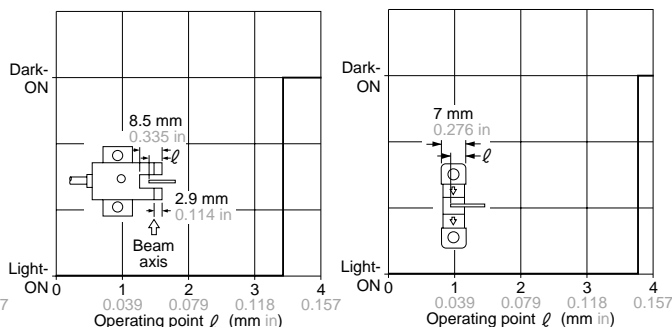
PM-24□(-R) Ultra small type

Sensing position



PM-□44(P) Small type
PM-□54(P)

Sensing position



PRECAUTIONS FOR PROPER USE

Refer to p.1135~ for general precautions.

All models



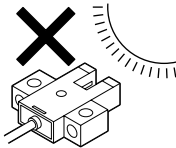
This product is not a safety sensor. Its use is not intended or designed to protect life and prevent body injury or property damage from dangerous parts of machinery. It is a normal object detection sensor.



Make sure to connect terminals correctly as the sensor does not incorporate a reverse polarity protection circuit. Further, the output is not incorporated with a short-circuit protection circuit. Do not connect it directly to a power supply or a capacitive load. Faulty wiring may result in damage.

Others

- Since the sensor is intended for use inside machines, no special counter-measures have been taken against extraneous light. Take care that extraneous light is not directly incident on the beam receiving section.

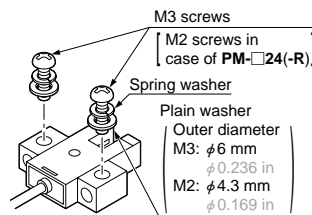


- Do not use during the initial transient time (50 ms) after the power supply is switched on.
- The cable of **PM-□24-R** is a flexible cable usable on a moving base. When the sensor is mounted on a moving base, fix the sensor cable joint so that stress is not applied to it.
- Take care that the flexibility of the **PM-□24-R** cable is lost if the ambient temperature is near $-10\text{ }^{\circ}\text{C}$ $+14\text{ }^{\circ}\text{F}$.

Mounting

- When fixing the sensor with screws, use M3 screws [M2 screws in case of **PM-□24(-R)**] and the tightening torque should not exceed the values given below. Further, use small, round type plain washers. (M3: $\phi 6\text{ mm}$ $\phi 0.236\text{ in}$, M2: $\phi 4.3\text{ mm}$ $\phi 0.169\text{ in}$)

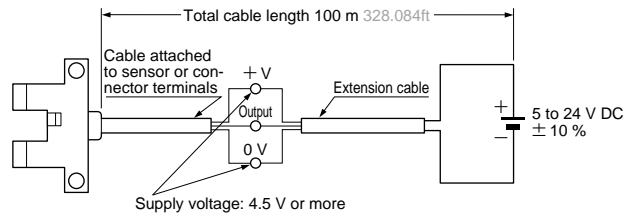
Model No.	Tightening torque
PM-□24(-R)	0.15 N·m
PM-□44(P)	0.5 N·m
PM-□54(P)	



Note: In case the ultra-small type **PM-□24(-R)** is used at an ambient temperature of $+50\text{ }^{\circ}\text{C}$ $+122\text{ }^{\circ}\text{F}$, or more, make sure to mount it on a metal body.

Cable extension

- Cable extension is possible up to an overall length of 100 m 328.084 ft with a 0.3 mm^2 , or more, cable. However, since a voltage drop shall occur due to the cable extension, ensure that the power supply voltage at the end of the cable attached to the sensor or at the sensor terminals is within the rating.



But, when the overall cable length, including the cable attached to the sensor, is as given below, there is no need to confirm the voltage.

Conductor cross-section area	Total cable length
$0.08\text{ to }0.1\text{ mm}^2$	Up to 5 m 16.404 ft
0.2 mm^2	Up to 10 m 32.808 ft
0.3 mm^2	Up to 20 m 65.617 ft

CY

PX-2

RT-610

MS-AJ

PM

PM2

NX5

VF

EQ-500

Amplifier Built-in

Sensor Mounting Stand

Micro


Multi-voltage

PRECAUTIONS FOR PROPER USE

Refer to p.1135~ for general precautions.

PM-□54
PM-□54P

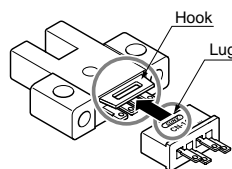
Cautions in plugging or unplugging a connector



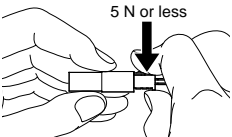
- Do not plug or unplug a connector more than 10 times.
- Be sure not to give stress more than 5 N to a terminal of both a connector and a sensor. If you do not follow the above cautions, it will cause a poor contact.

Procedures of plugging or unplugging a connector

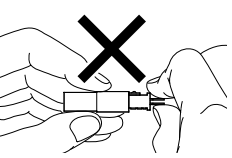
① Insert a connector straight into a sensor until the connector lug is locked by the sensor hook.



② When unplugging, give as much stress as a connector lug can be relieved from a hook. Then unplug it.

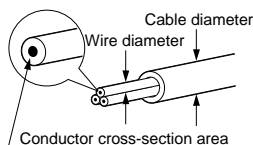


Caution: Be sure to hold a connector when plugging or unplugging it. Do not hold a terminal or a cable when plugging or unplugging the connector. Otherwise, it will cause a poor contact.



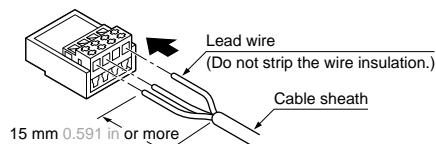
Crimping of hook-up connectors CN-14H and CN-14H-2

Item	Model No.	CN-14H	CN-14H-2
Conductor cross-section area		0.08 to 0.2 mm ² (AWG28 to AWG24)	0.18 to 0.22 mm ² (AWG25 to AWG24)
Wire diameter		φ 0.7 to φ 1.2 mm φ 0.028 to φ 0.047 in	φ 1.2 to φ 1.52 mm φ 0.047 to φ 0.060 in
Wire insulation material		Vinyl chloride or soft polyethylene	

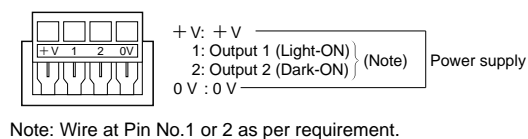


Crimping method

- ① Strip the cable sheath 15 mm 0.591 in, or more, and insert the wires into the connector insertion holes till the wire tips reach the end.

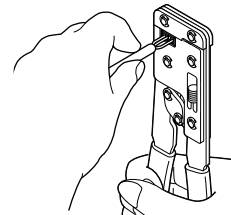


Arrangement of connector terminals



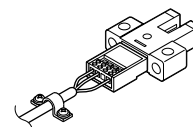
② Crimp with the exclusive hook-up pliers **CN-HP**.

Notes: 1) When attaching or detaching the connector fitted with a cable, make sure to hold the connector firmly before proceeding.
2) After crimping, do not pull on the cable.



Caution: Make sure to use the exclusive hook-up pliers **CN-HP**. Commercially available pliers cannot be used.

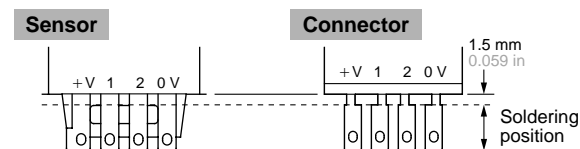
- Prior to using the sensor, affix the cable in a way as to avoid direct stress on the crimped part.



Soldering (Both connector CN-14 and sensor)

- If soldering is done directly on the terminals, strictly adhere to the conditions given below.

Soldering temperature	260 °C 500 °F or less
Soldering time	3 sec. or less
Soldering position	Refer to the below figure



Amplifier Built-in

CY
PX-2

RT-610
MS-AJ

Micro

PM
PM2

NX5

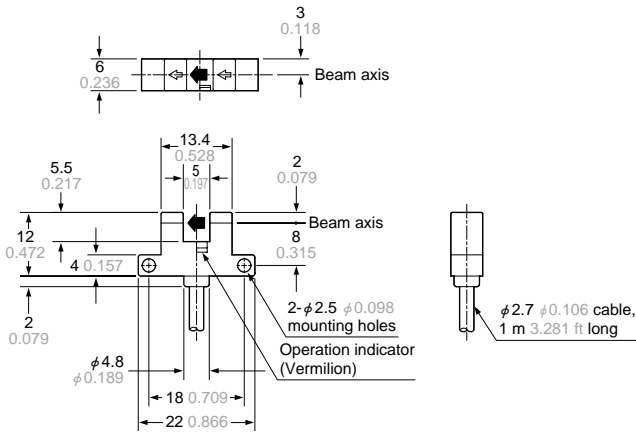
Multi-voltage

VF

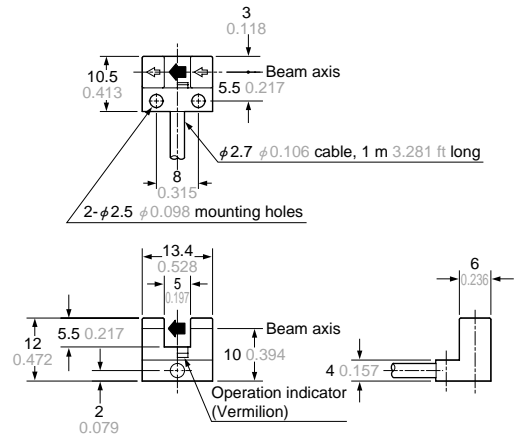
EQ-500

DIMENSIONS (Unit: mm in) The CAD data in the dimensions can be downloaded from the SUNX website: <http://www.sunx.co.jp/>

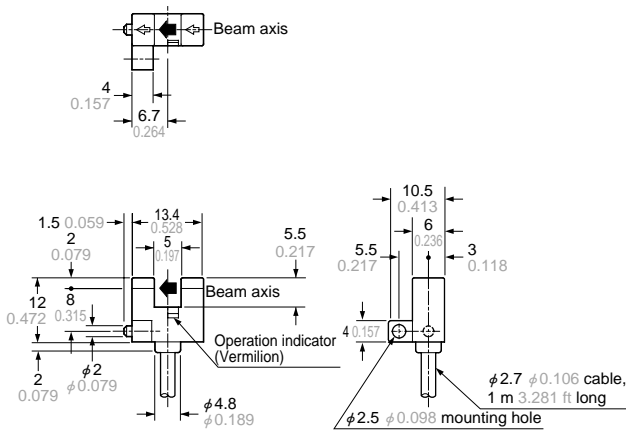
**PM-K24
PM-K24-R** Sensor



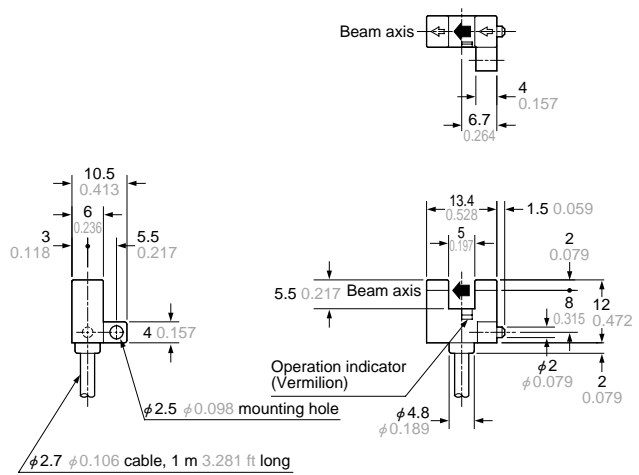
**PM-L24
PM-L24-R** Sensor



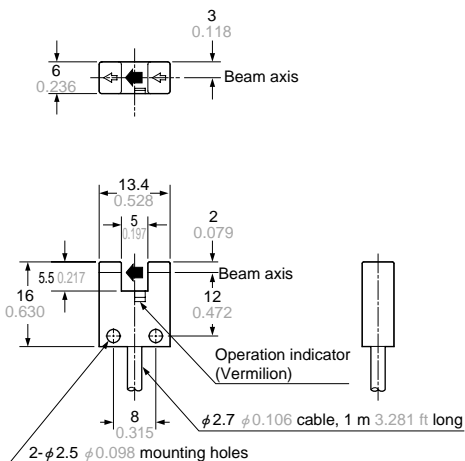
**PM-F24
PM-F24-R** Sensor



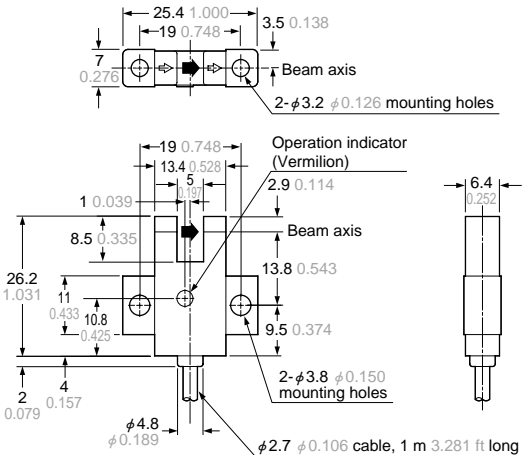
**PM-R24
PM-R24-R** Sensor



**PM-U24
PM-U24-R** Sensor



**PM-K44
PM-K44P** Sensor



CY

PX-2

RT-610

MS-AJ

PM

PM2

NX5

VF

EQ-500

Amplifier Built-in

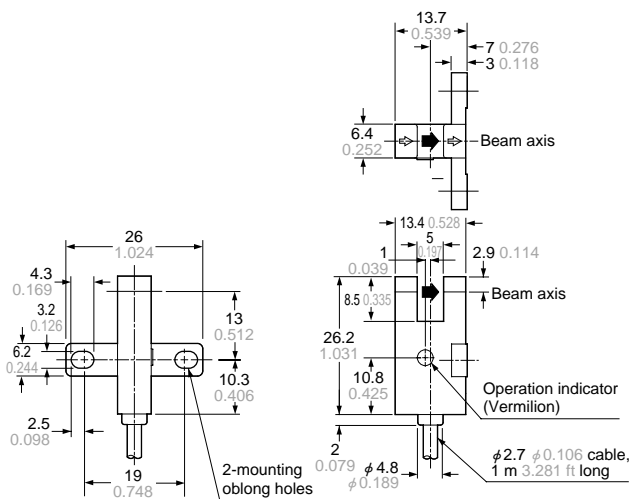
Sensor Mounting Stand

Micro

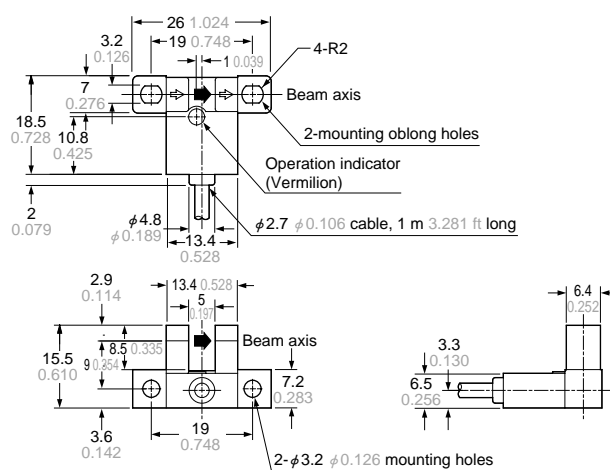
Multi-voltage

DIMENSIONS (Unit: mm in) The CAD data in the dimensions can be downloaded from the SUNX website: <http://www.sunx.co.jp/>

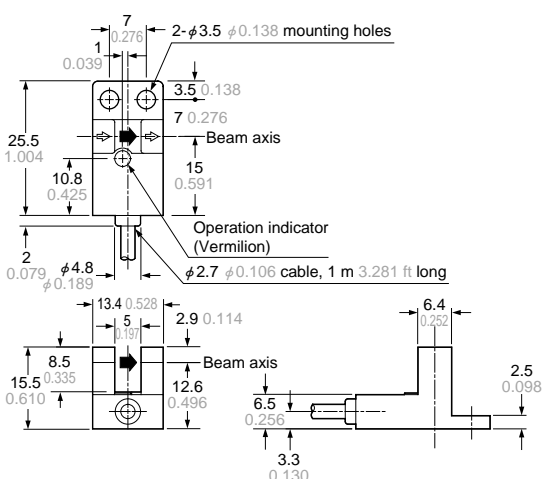
**PM-T44
PM-T44P** Sensor



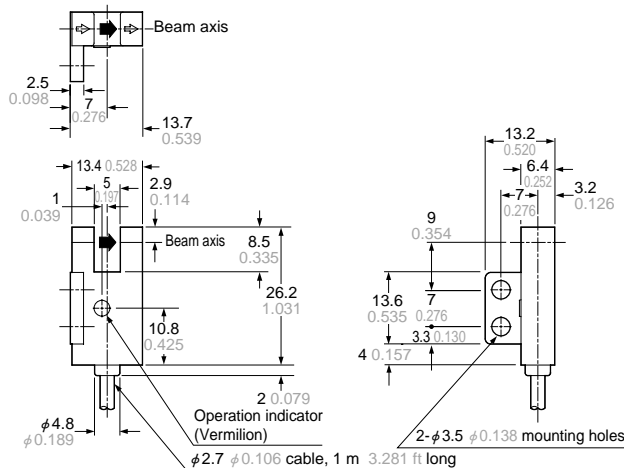
**PM-L44
PM-L44P** Sensor



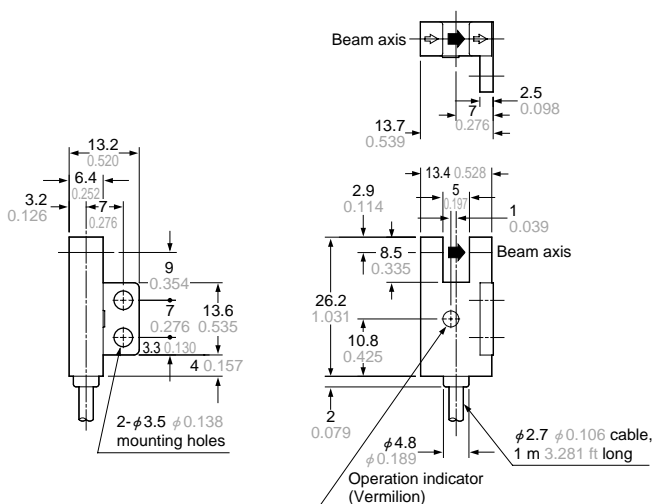
**PM-Y44
PM-Y44P** Sensor



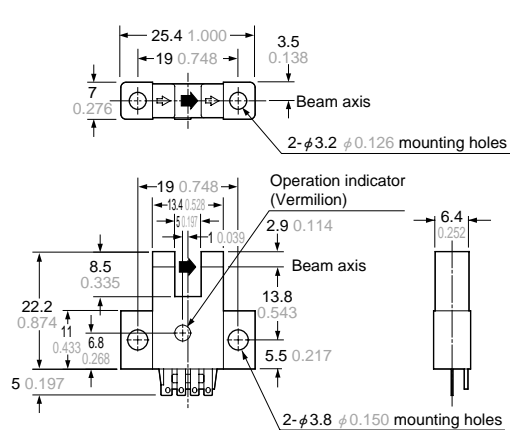
**PM-F44
PM-F44P** Sensor



**PM-R44
PM-R44P** Sensor



**PM-K54
PM-K54P** Sensor



PHOTOELECTRIC SENSORS

CY

Amplifier Built-in
PX-2

RT-610

Sensor Mounting Stand
MS-AJ

PM

Micro
PM2

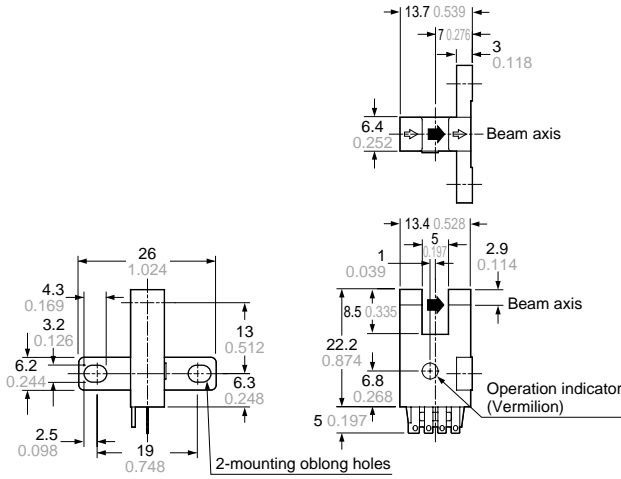
NX5

Multi-voltage
VF

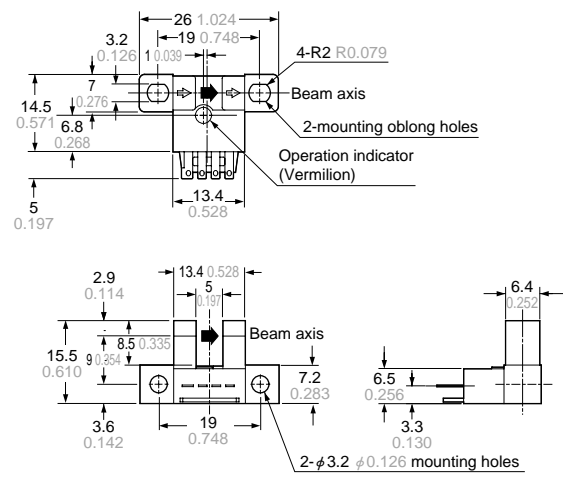
EQ-500

DIMENSIONS (Unit: mm in) The CAD data in the dimensions can be downloaded from the SUNX website: <http://www.sunx.co.jp/>

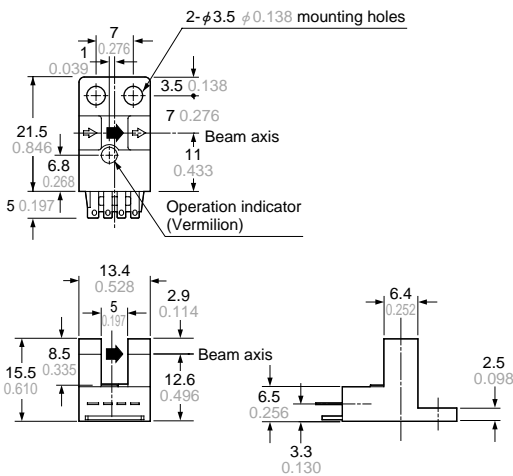
**PM-T54
PM-T54P** Sensor



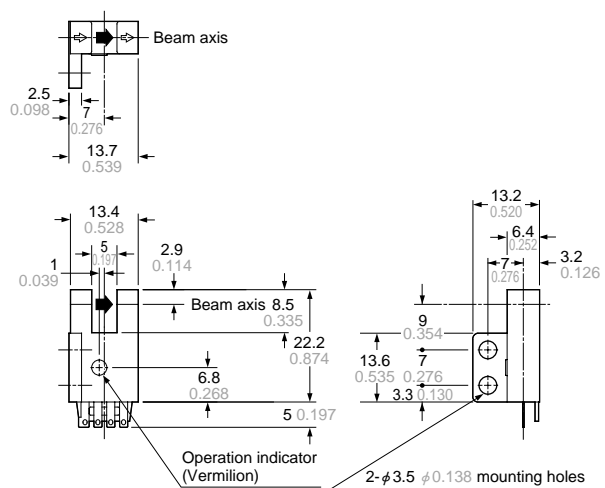
**PM-L54
PM-L54P** Sensor



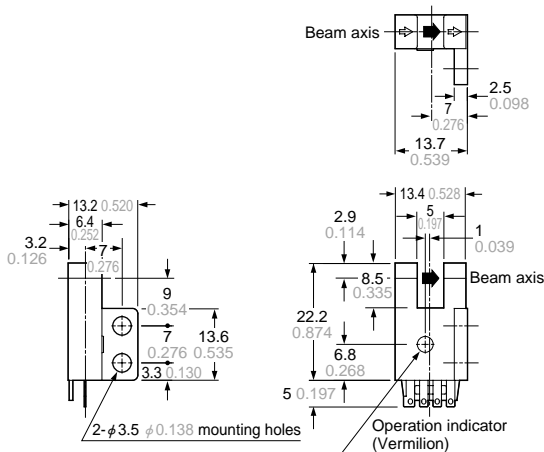
**PM-Y54
PM-Y54P** Sensor



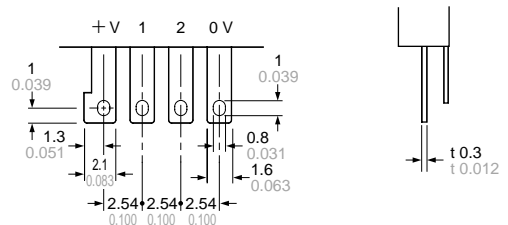
**PM-F54
PM-F54P** Sensor



**PM-R54
PM-R54P** Sensor



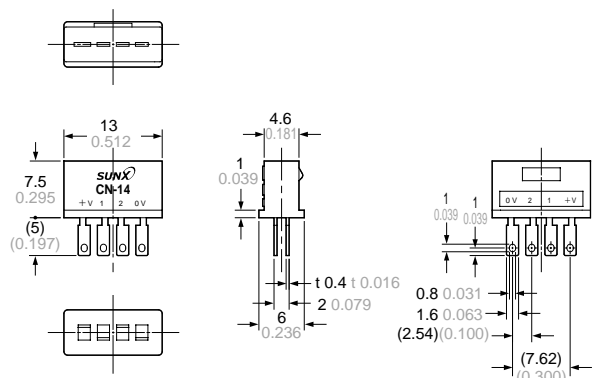
※Terminal part (PM-□54, PM-□54P)



DIMENSIONS (Unit: mm in) The CAD data in the dimensions can be downloaded from the SUNX website: <http://www.sunx.co.jp/>

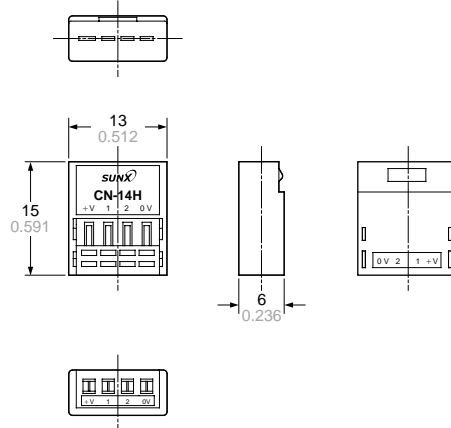
CN-14

Connector (Optional)



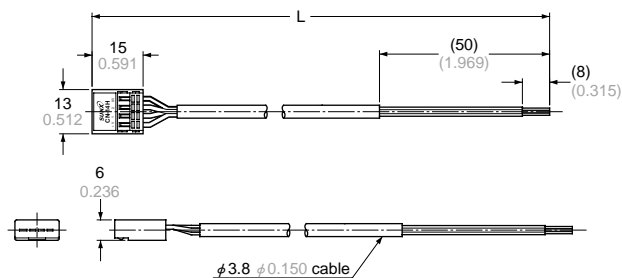
**CN-14H
CN-14H-2**

Hook-up connector (Optional)



**CN-14H-C1
CN-14H-C3**

Connector attached cable (Optional)



• Cable length L

Model No.	Cable length
CN-14H-C1	1 m 3.281 ft
CN-14H-C3	3 m 9.843 ft

PHOTOELECTRIC SENSORS
CY
Amplifier Built-in
PX-2
RT-610
Sensor Mounting Stand
MS-AJ
Micro
PM
PM2
Multi-voltage
NX5
VF
EQ-500