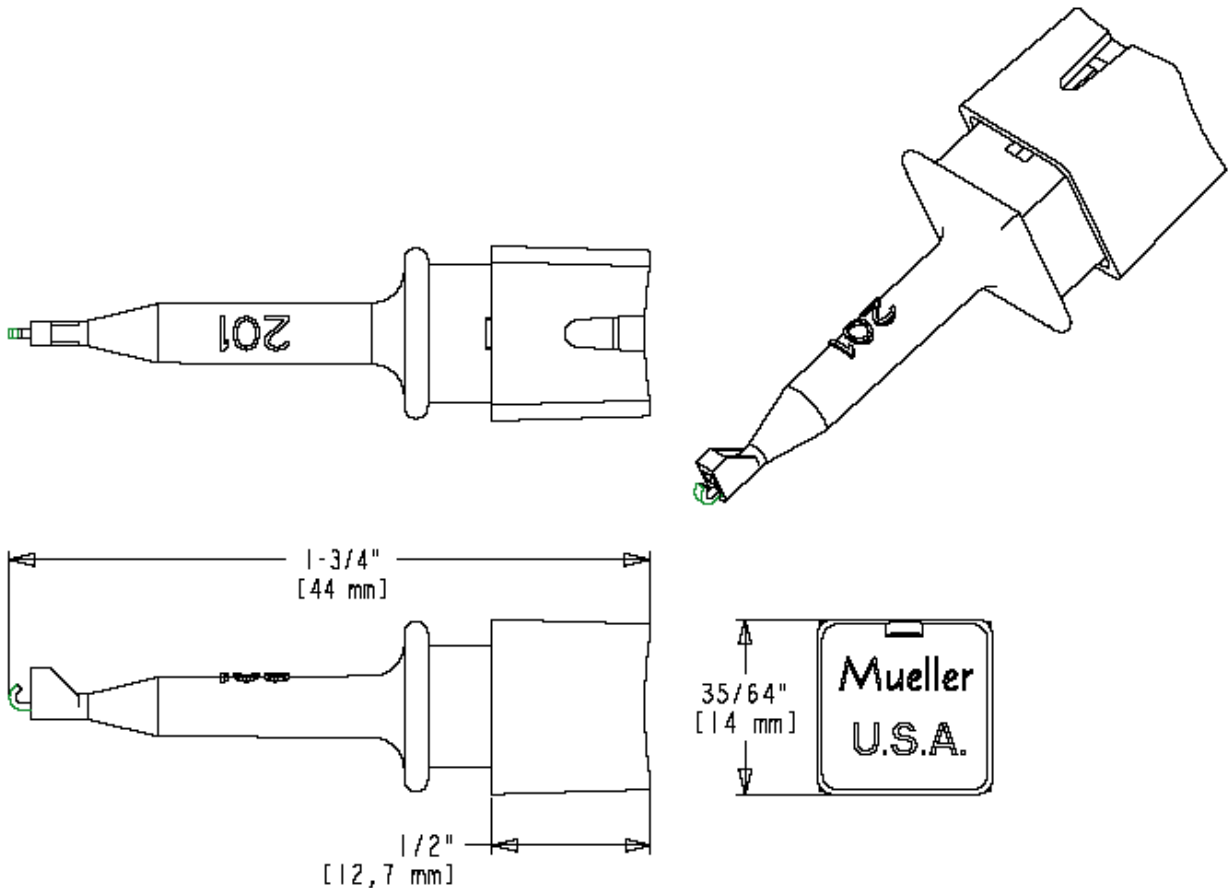




Part Number: BU-00201-*/ BU-00202-*/
BU-00203-*

Description: Plunger Clip

2907



- Plunger clip
- Material: Cap & Body: glass filled nylon; Spring: Stainless steel; Contact: beryllium copper; insulator to a single contact point
- Length: 1.75" (44 mm)(BU-00201-*); 2.50" (63 mm)(BU-00202-*); 3.50" (88 mm)(BU-00203-*);
- *Std Colors: -0 Black -2 Red
- Rating: 1000 Volts, 10 Amps

Mouser Electronics

Authorized Distributor

Click to View Pricing, Inventory, Delivery & Lifecycle Information:

[Mueller Electric:](#)

[BU-00201-2](#)