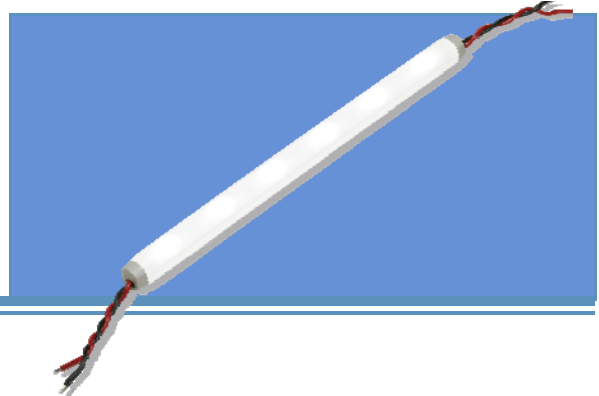


# OPA779 Series Display Lighting

## Features:

- 12 V DC input
- Low power consumption
- Custom lengths up to 72" long
- Flying leads for easy connections
- Various standard lengths

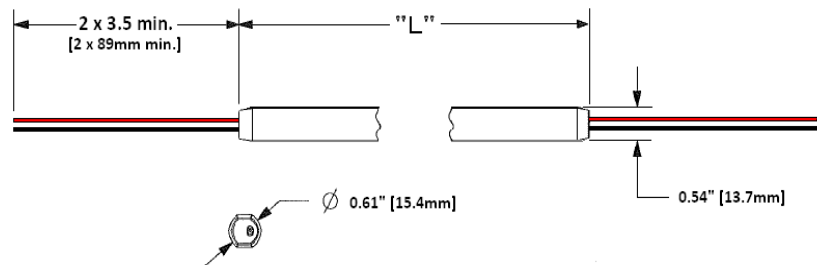


The OPA779 Series is a scalable lighting solution for the general lighting industry. The OPA779 Series emits a uniform consistent white lighting pattern within its length providing exceptional lighting for retail displays, refrigeration, and general lighting while reducing energy consumption as compared to traditional lighting systems.

The OPA779 is scalable as a single unit or as multiple single units connected together. This connectivity allows for easy retrofitting of existing lighting systems as well as fitting to new designs. Any combination of lengths may be connected in series up to 24W or 2 A maximum. The OPA779 is an acrylic water resistant lighting assembly suitable for dry and damp locations. Typical LED pitch is 1.5" [38mm].

## Applications

- General illumination
- Retail display
- Architectural accent lighting
- Under-counter lighting
- Refrigeration
- Mobile food service
- Point-of-sale displays



## Certifications/Reports

- LM-80
- IP-62
- LM-79
- EN62471:2008
- UL # E351728

OPA779 P/N	Length ± 0.25"	Watts	Device Type
OPA779S-240 <small>(Connection Drawing page 2)</small>	9.5"	0.5	Evaluation Unit with Connector Single-Ended Connection Only
OPA779D-610	23.5"	1	Double-Ended Connection Flying Leads
OPA779D-1169	45.5"	2	
S = Single-ended flying leads D = Double-ended flying leads			



## Notes:

- Maximum storage and operating temperature 0° ~ +70°C
- ESD threshold (HBM) 2000V
- 12V power supply not included and is dependent on length with lengths larger than 240mm(9.5")

**DO NOT LOOK DIRECTLY AT LED WITH UNSHIELDED EYES OR DAMAGE TO RETINA MAY OCCUR.**

OPTEK reserves the right to make changes at any time in order to improve design and to supply the best product possible.

# OPA779 Series

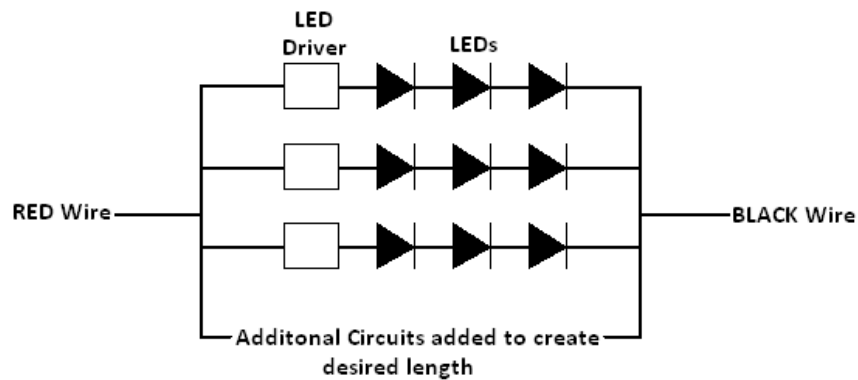
## Retail Display Light (RDL)

### OPA779 Standard Lengths

Optek Part Number	Number of LEDs Per Device	Color Temperature	Typical Current at 12VDC	Total Luminous Flux (lm)
OPA779S-240	6	5000K To 7000K	35mA	40
OPA779D-610	15		85mA	90
OPA779D-1169	30		175mA	180

\*\*Contact Optek or an authorized distributor to discuss your custom application.

Optek Technology recommends Keystone Electronics Nylon Cable Clip #7635 or equivalent for mounting.



Evaluation Unit  
Output connector



2.1mm ID / 5.5mm

OPTEK reserves the right to make changes at any time in order to improve design and to supply the best product possible.

# Mouser Electronics

Authorized Distributor

Click to View Pricing, Inventory, Delivery & Lifecycle Information:

[TT electronics:](#)

[OPA779D-610](#) [OPA779S-240](#)