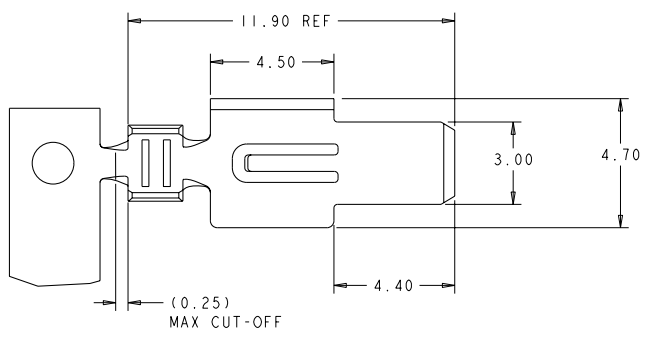
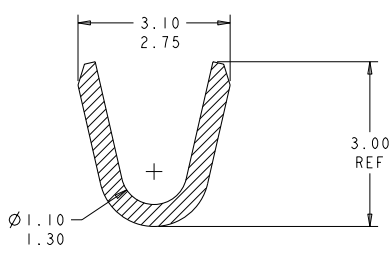
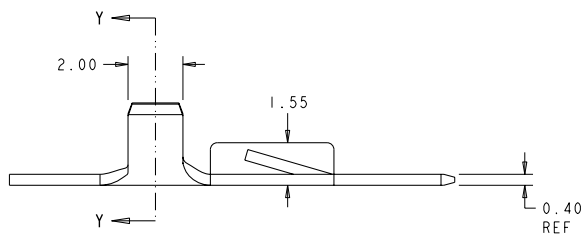


THIS DRAWING IS UNPUBLISHED. RELEASED FOR PUBLICATION BY TYCO ELECTRONICS CORPORATION. ALL RIGHTS RESERVED. COPYRIGHT 20

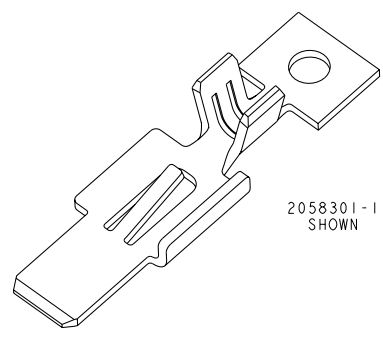
REVOLUTIONS		DATE	BY	APPD
P	LYA			
AI	REVISED PER ECR-09-010783	13MAY2009	HMR	DD



- NOTES:
- 1. MATERIALS AND FINISH:
- COPPER ALLOY, FINISH: TIN
 - 2. MUST COMPLY WITH DIRECTIVE 2002/95/EC (ROHS)
 - 3. THIS PRODUCT HAS NOT COMPLETED VALIDATION TESTING
 - 4. WIRE RANGE : 18-22 AWG, STRANDED
 - 5. MAX INSULATION DIA: 2.03
 - 6. RECOMMENDED TE HOUSING P/N X-2058299-X



SECTION Y-Y
SCALE 20:1



LOOSE PIECE	2058301-2
ON STRIP	2058301-1
REMARKS	PART NO.

<small>THE DIMENSIONS CONTAINED HEREON ARE THE PROPERTY OF TYCO ELECTRONICS CORPORATION AND ARE NOT TO BE REPRODUCED OR TRANSMITTED IN ANY FORM OR BY ANY MEANS, ELECTRONIC OR MECHANICAL, INCLUDING PHOTOCOPYING, RECORDING, OR BY ANY INFORMATION STORAGE AND RETRIEVAL SYSTEM.</small>		DWG S. FISHER 07MAY2008 CDR R. NARANG 07MAY2008 APPROV	Tyco Electronics Harrisburg, PA 17105-3608
DIMENSIONS: mm TO UNLESS OTHERWISE SPECIFIED	PRODUCT SPEC 108-2387 APPLICATION SPEC 114-13252	NAME BLADE CONTACT WIRE TO BOARD CONNECTOR	SIZE CASE CODE DRAWING NO A200779 C-2058301
MATERIAL FINISH	WEIGHT CUSTOMER DRAWING	RESTRICTED TO SCALE 0:1 SHEET 1 OF 1 REV A.1	