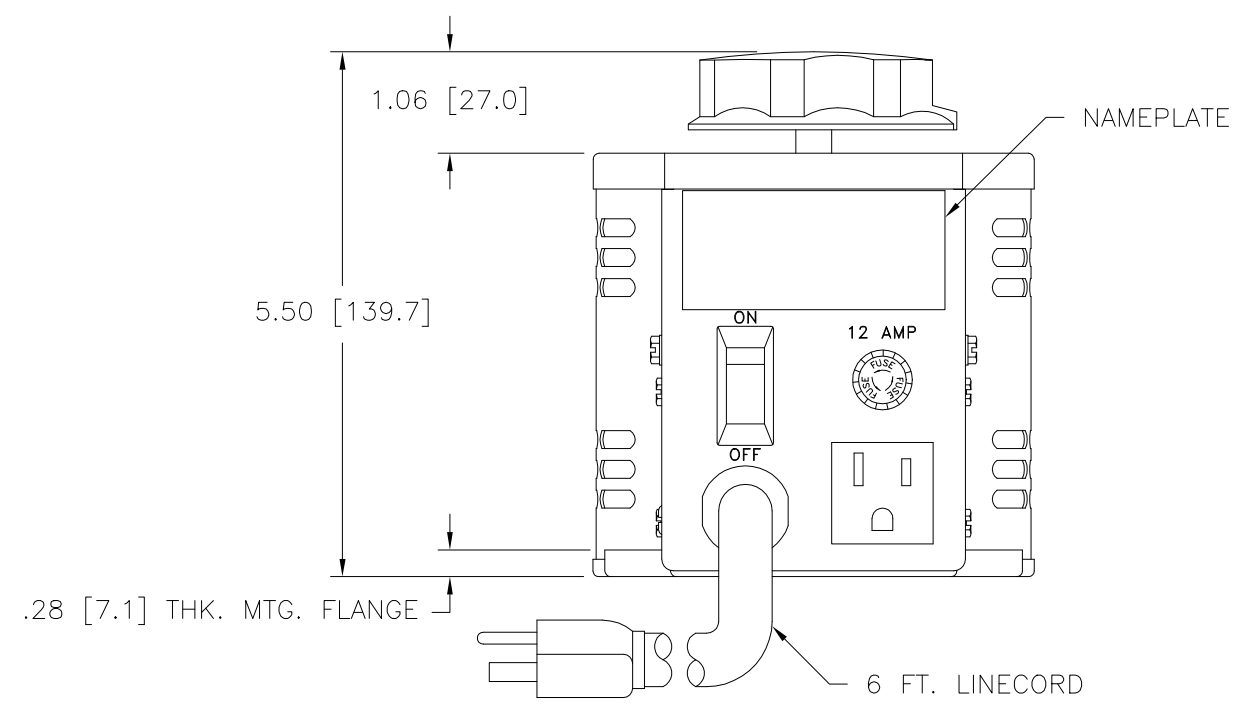
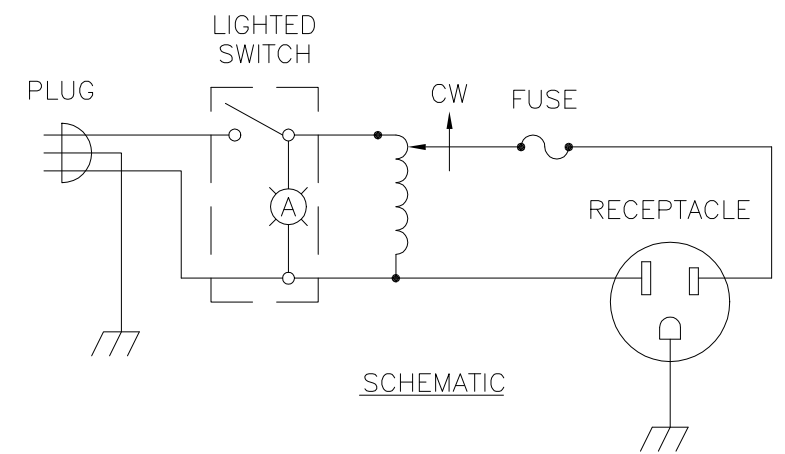
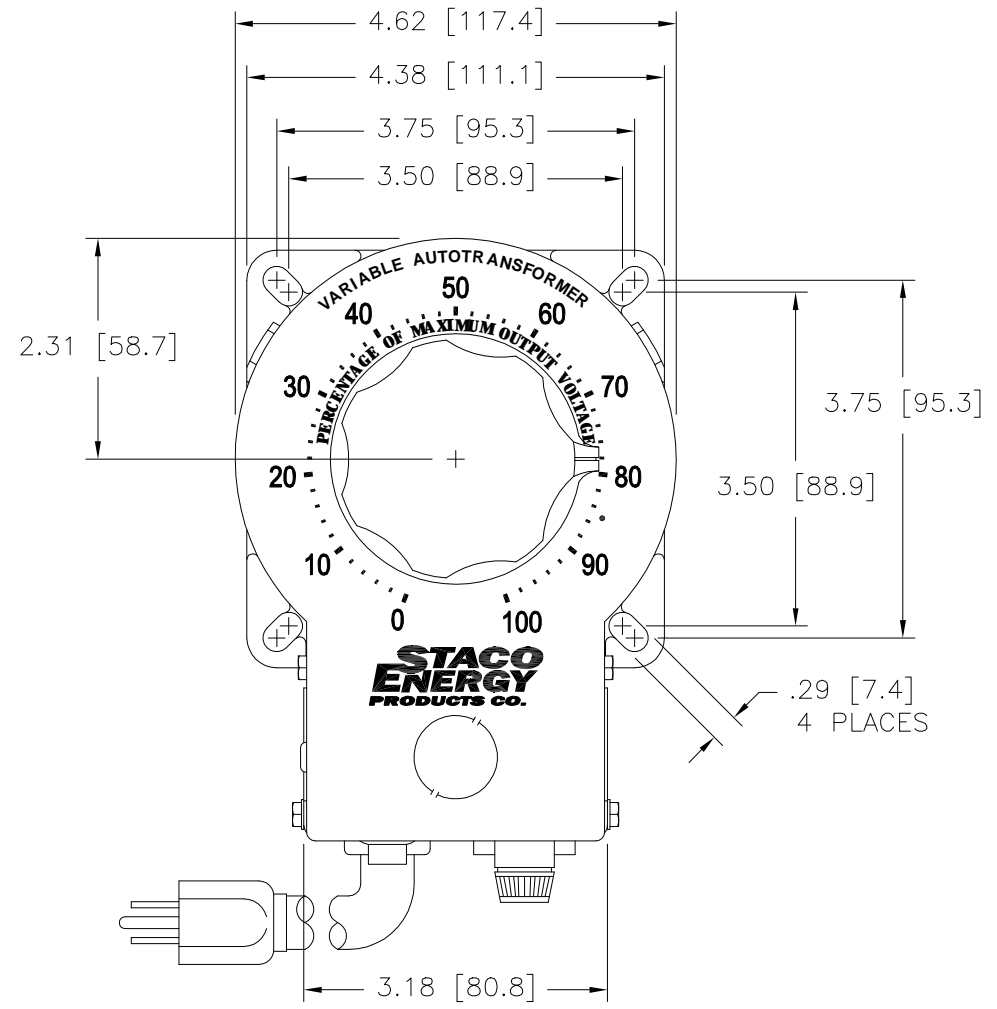
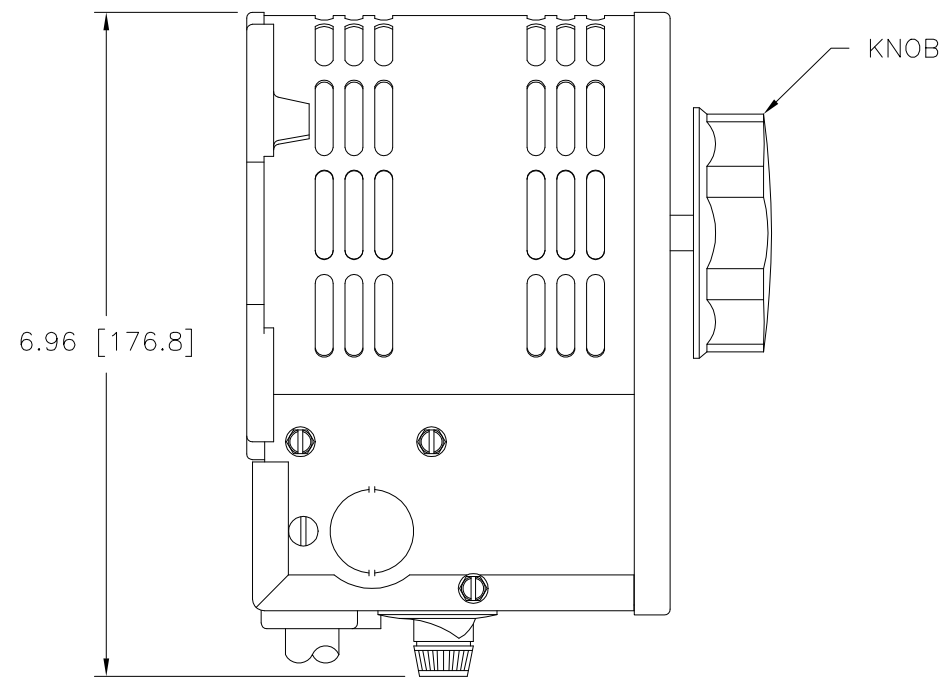


DWG. NO.	031-2995		
REVISIONS			
SYM.	E.C.N.	DATE	APVD.
A	24536	3/13/01	
REVISED SILKSCREEN			



SPECIFICATIONS					
WIRING	INPUT		OUTPUT		
	VOLTS	HERTZ	VOLTS	CONSTANT CURRENT LOAD	
				MAX. AMPS	MAX. KVA
SINGLE PHASE	120	60	0-120	12	1.44

UNLESS OTHERWISE SPECIFIED, TOLERANCE IS ±		UNITS		TITLE: SPEC. CONTROL DRAWING	
DECIMALS	HOLES	ANGLES	DRAFT	SCALE DWG.	
.XX	.0000	.01	1°	3PN1210B	DO NOT SCALE DWG.
.XXX	.005			10.25 LBS	83008
MATERIAL:		ALL DIMENSIONS APPLY AFTER PLATING		DRAWN BY S.A. SMITH	
DATE 10/11/96		FIRST USED ON 3PN1210B		DATE 10/11/96	
CHECKER		WEIGHT APPROX. 10.25 LBS		SCALE 1=1	
ENGINEER		DATE		SHEET 1 OF 1	
DWG. NO. 031-2995		DWG. SIZE D		DWG. NO. 031-2995	

STACO ENERGY PRODUCTS CO.  
A Components Corporation of American Company  
302 Gadsden Boulevard Dayton, Ohio 45403 USA

# Mouser Electronics

Authorized Distributor

Click to View Pricing, Inventory, Delivery & Lifecycle Information:

[Staco:](#)

[3PN1210B](#)