

**Series 801 "Mighty Mouse"  
Protective Covers  
667-217 & 667-218**



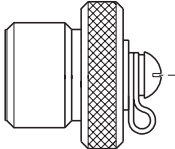
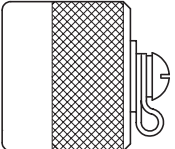
Series 801  
Heavy Duty

## How to Order Series 801 Protective Covers

**Series 801 Double-Start Protective Covers** are available with a variety of lanyard options and ring terminal sizes.

A fluorosilicone gasket provides environmental sealing.

### How To Order 801 Series Protective Covers

Series	Shell Material / Finish	Attachment Type		Attachment Ring Diameter		Attachment Length in Inches
				D: Aperture	E: Overall	
<b>667-217</b> Protective Cover for Use With Series 801 Plugs    <b>667-218</b> Protective Cover for Use With Series 801 Receptacles  	<b>C</b> Aluminum, with Black Anodized Finish	<b>D</b> —Bead Chain Stainless Steel	<b>5</b>	<b>01</b> - .125 (3.2)	.300 (7.6)	<b>Example</b> 6 = Six Inch Attachment Length
			<b>6</b>	<b>02</b> - .140 (3.6)	.300 (7.6)	
		<b>M</b> Aluminum, with Electroless Nickel Finish	<b>F</b> —Wire Rope Nylon Jacket	<b>7</b>	<b>03</b> - .167 (4.2)	
	<b>8</b>			<b>04</b> - .182 (4.6)	.300 (7.6)	
	<b>NF</b> Aluminum, with Olive Drab Cadmium Finish	<b>G</b> —Nylon Rope, Black	<b>9</b>	<b>05</b> - .191 (4.9)	.300 (7.6)	
			<b>10</b>	<b>06</b> - .197 (5.0)	.300 (7.6)	
	<b>ZN</b> Aluminum, with Olive Drab Zinc-Nickel Finish	<b>H</b> —Wire Rope Teflon® Jacket	<b>11</b>	<b>07</b> - .391 (9.9)	.770 (19.6)	
			<b>12</b>	<b>08</b> - .516 (12.1)	.890 (22.6)	
			<b>13</b>	<b>09</b> - .583 (14.8)	.810 (20.6)	
			<b>14</b>	<b>10</b> - .766 (19.5)	1.140 (29.0)	
			<b>15</b>	<b>11</b> - .896 (22.2)	1.180 (30.0)	
			<b>16</b>	<b>12</b> - 1.016 (25.8)	1.390 (35.3)	
			<b>17</b>	<b>13</b> - 1.141 (29.0)	1.520 (38.6)	
			<b>18</b>	<b>14</b> - .385 (9.8)	.510 (13.0)	
			<b>19</b>	<b>15</b> - .445 (11.3)	.570 (14.5)	
			<b>20</b>	<b>16</b> - .570 (14.5)	.690 (17.5)	
	<b>ZNU</b> Aluminum, with Black Zinc-Nickel Finish	<b>R</b> —Wire Rope PVC Jacket	<b>21</b>	<b>17</b> - .635 (16.1)	.760 (19.3)	
			<b>18</b> - .695 (17.7)	.820 (20.8)		
			<b>19</b> - .885 (22.5)	1.010 (25.7)		
<b>Z1</b> Stainless Steel, with Passivated Finish	<b>S</b> —Sash Chain Stainless Steel		<b>20</b> - 1.070 (27.2)	1.200 (30.5)		
			<b>21</b> - 1.135 (28.8)	1.250 (31.8)		
	<b>T</b> —Wire Rope, No Jacket		<b>21</b> - 1.135 (28.8)	1.250 (31.8)		
	<b>U</b> —Wire Rope, Polyurethane Jacket					

### Part Number Example

667-218

—NF

—G

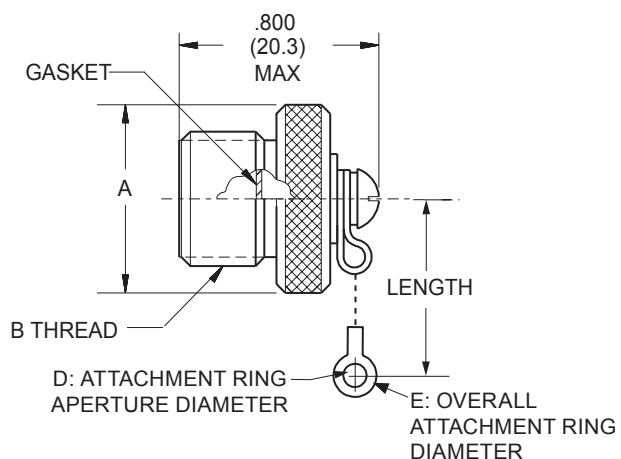
6

01

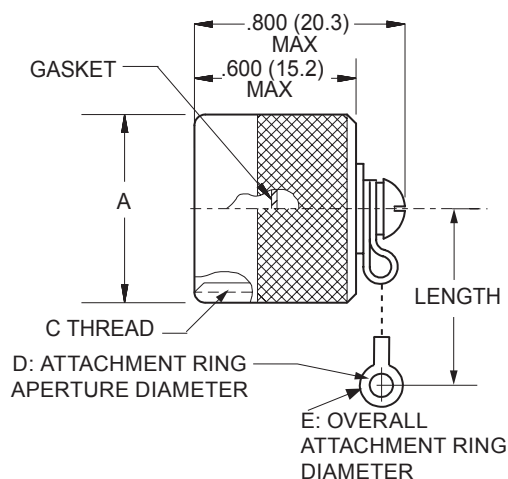
—3

# Series 801 Protective Cover Dimensions

## Series 801 Protective Cover Dimensions



667-217 Plug Cover



667-218 Receptacle Cover

## Series 801 Protective Cover Dimensions

Shell Size	Ø A Max.	Ø B	Ø C
5	.465 (11.8)	.3125-.05P-.1L-2A	.3125-.05P-.1L-2B
6	.525 (13.3)	.375-.05P-.1L-2A	.375-.05P-.1L-2B
7	.590 (15.0)	.4375-.05P-.1L-2A	.4375-.05P-.1L-2B
9	.715 (18.2)	.5625-.05P-.1L-2A	.5625-.05P-.1L-2B
13	.965 (24.5)	.8125-.1P-.2L-2A	.8125-.1P-.2L-2B
16	1.150 (29.2)	1.000-.1P-.2L-2A	1.000-.1P-.2L-2B
17	1.062 (27.0)	1.062-.1P-.2L-2A	1.062-.1P-.2L-2B

## Solid Ring: Dash Number 07 Thru 12

