

Model No: TA6FC00-08

Product Line: Tymphany

Rev: 1.0

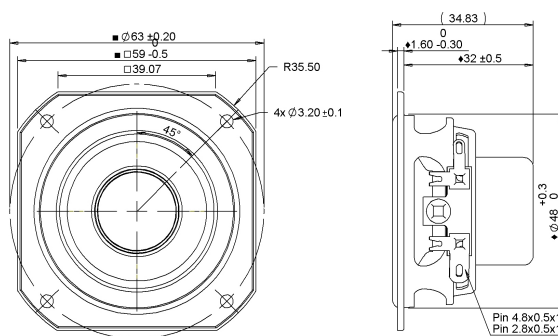
Last Update: 2017-01-04 23:20:43

Product Description

This 2 inch 8 ohm member of the new TA family sets a high standard for compact full range drivers. Intended for applications such as television soundbars and other compact applications in mind. Design features in this family include a stiff steel basket with venting under the spider to aid cooling of the motor, a neodymium magnet motor with copper cap to lower coil inductance, providing low distortion at low frequencies and extended high frequency response. A black anodized aluminium cone and a black anodized aluminium dust cap are employed on the driver, coupled directly to the voice coil.



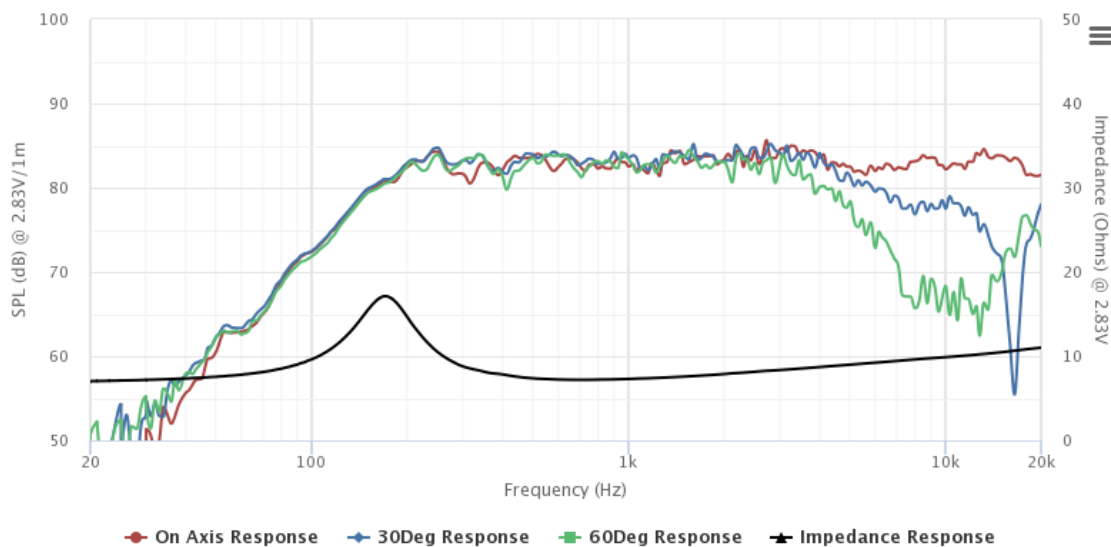
Mechanical Drawing



Specifications

DC Resistance	Revc	Ohms	6.38	5.0%	Energy Bandwidth Product	EBP	(1/Qes) ² fs
Minimum Impedance	Zmin	Ohms	7.19	7.5%	Moving Mass	Mms	g
Voice Coil Inductance	Le	mH	0.04		Suspension Compliance	Cms	um/N
Resonant Frequency	Fs	Hz	179.65	15%	Effective Cone diameter	D	cm
Mechanical Q Factor	Qms		2.82		Effective Piston Area	Sd	cm ²
Electrical Q Factor	Qes		1.34		Effective Volume	Vas	L
Total Q Factor	Qts		0.91		Motor Force Factor	BL	Tm
Ratio Fs/Qts	F	Fs/Qts	197.86		Motor Efficiency Factor	β	(T ² M ²)/Ohms
Half Space Sensitivity @2.83V	db@2.83V/1M	dB	82.68	+/- 1.0db	Voice coil former Material	VCfm	ASV
Half Space Sensitivity @1W/1M	db@1W/1M	dB	82.2	+/- 1.0db	Voice coil inner diameter	VCd	mm
Gap Height	Gh	mm	3		Rated Noise Power	P	W
Maximum Linear Excursion	Xmax	mm	1.1		Test Spectrum Bandwidth		100hz-20Khz
Ferrofluid Type	FF				Driver Size	Inch	2 in
Driver Mass	Kg		0.08				

Frequency and Impedance Response



Highcharts.com