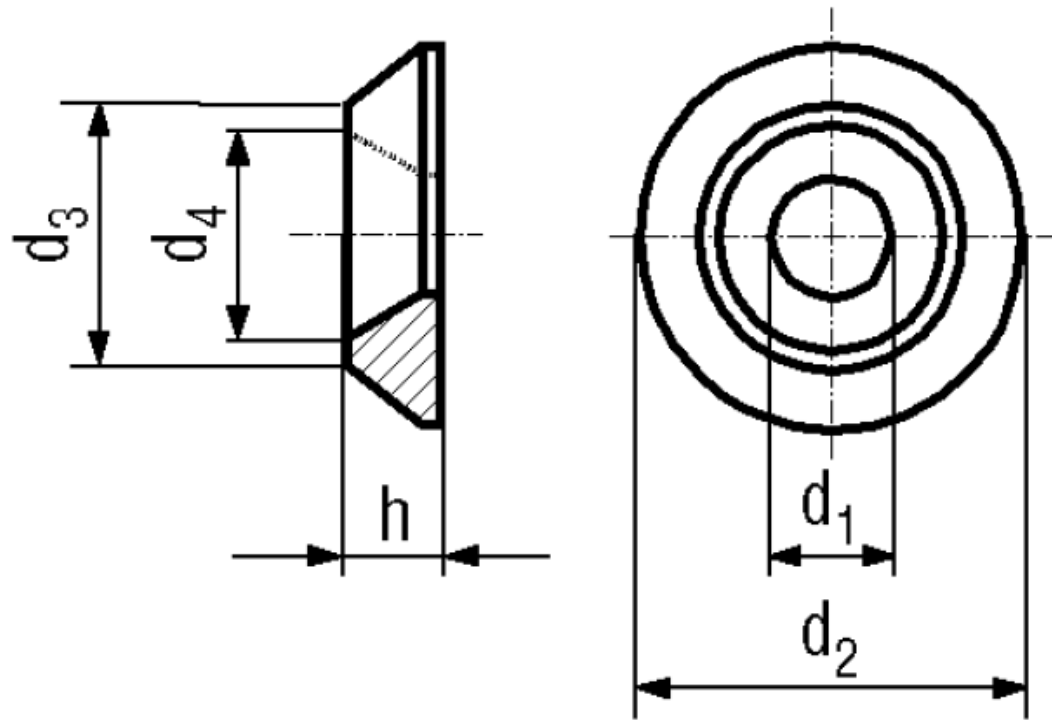


## BN 4879

Finishing washers  
for 90° countersunk head screws

SN 213912



Material	<b>Stainless steel</b>	Quality	<b>A1</b>
----------	------------------------	---------	-----------

### Article No. - 1184148

fit for	M2,5
d <sub>1</sub> min.	2,7
d <sub>2</sub> max.	9
d <sub>3</sub>	6,3
d <sub>4</sub> min.	5,7
h min.	1,6