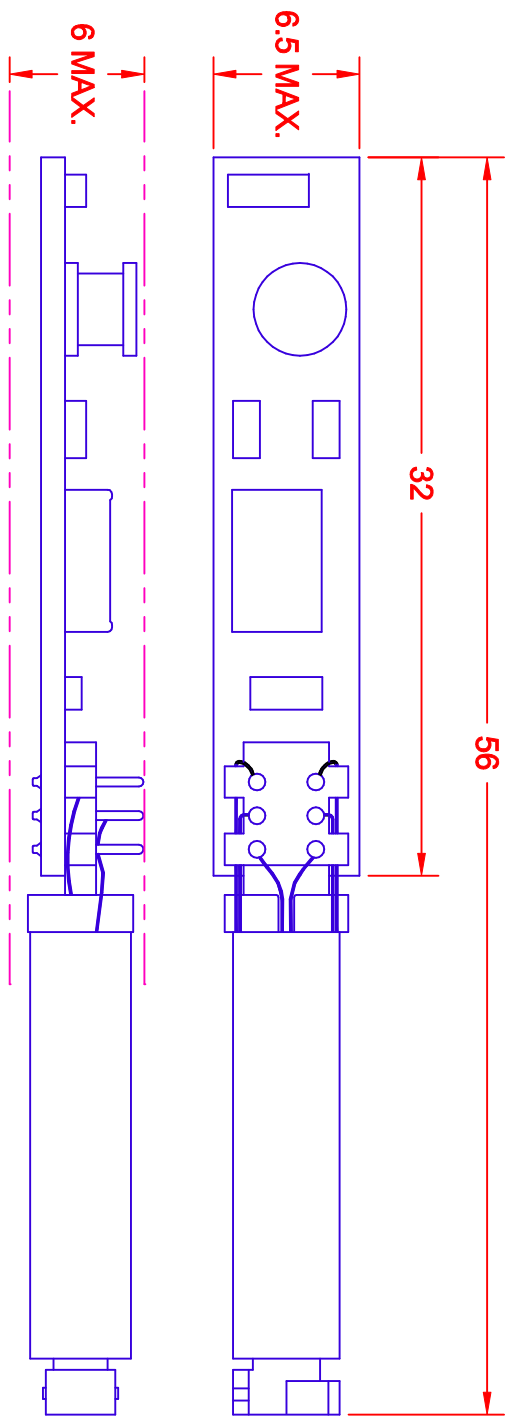
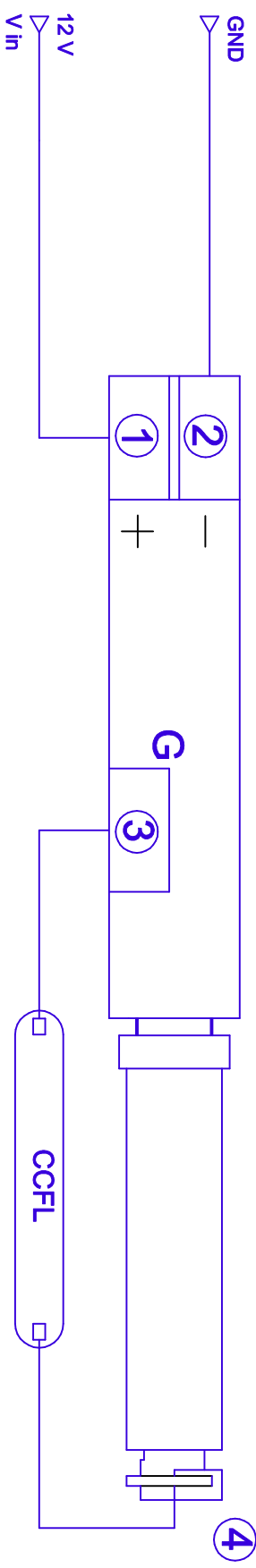


REV.	DESCRIPTION/ECO NO.	DATE
	RELEASED AS CAD DRW.	7/11/03

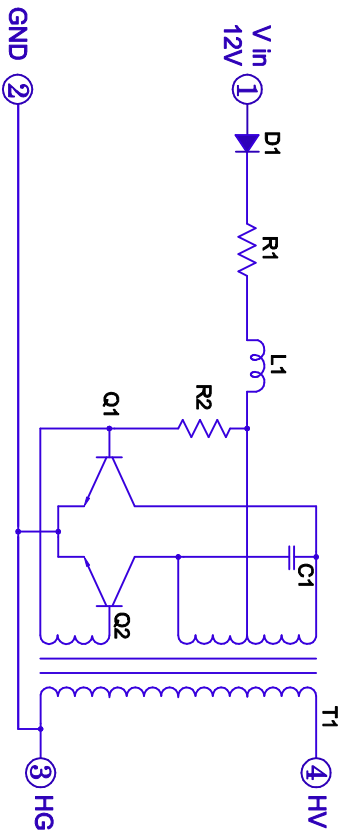


BOARD PIN #	INPUT
1	+V (V <sub>in</sub> )
2	V (GND)
3	OUT GND
4	V <sub>OUT</sub>



**OPERATING SPECIFICATIONS**

CHARACTERISTICS	MIN	TYP	MAX
INPUT VOLTAGE: (Vdc)	10.0	12.0	15.0
INPUT CURRENT: (mA)	130	150	170
OUTPUT VOLTAGE: (Vrms)	700	800	900
OUTPUT CURRENT 2 X (mA)	3.0	4.0	5.0
OUTPUT FREQUENCY: (kHz)	85	105	125
OPERATING TEMP: (CELSIUS)	0	25	50



		<b>METRIC</b> DIMENSIONS ARE IN MILLIMETERS TOLERANCE UNLESS OTHERWISE SPECIFIED 1 PL +/- 0.2 2 PL +/- 0 ANGLE +/- 0	
<b>JKL COMPONENTS CORPORATION</b>			
<b>12V CCFL INVERTER</b>			
DRAWN BY <b>L. WENGSTROM</b>	APP'D BY F.D.	DATE <b>7/11/03</b>	SIZE <b>A</b>
- CAD DRAWING - MANUAL REVISIONS NOT PERMITTED		FSCM NO. <b>55335</b>	DRAWING NO. <b>BXA-12576</b>
SCALE	NONE	RELEASED DATE	7/11/03
REV. NO.		REVISION DATE	
SHEET	OF		

# Mouser Electronics

Authorized Distributor

Click to View Pricing, Inventory, Delivery & Lifecycle Information:

[JKL Components:](#)

[BXA-12576](#)