



DATA SHEET	53015410
SKINTOP® BT	valid from: 26.02.2016

The SKINTOP® BT with bending protection trumpet cable gland for flexible cables and wires. The supply cables to electrical appliances and machines, which are moved in normal used, must be protected against excessive bending. The clamping force has a central strain relieving effect on the entire cable perimeter, this is particularly important for bending protection.



Component:

Gland body	Polyamide (UL 94/V2)
Cap nut with bending protection trumpet	Polyamide (UL 94/V2)
Sealing ring	CR

Technical features:

Connecting thread	PG9 up to PG21 acc. to DIN 40430
Functional thread	Multi-start trapezoidal thread
Protection class / NEMA Type Rating	IP68 - 5 bar, test acc. to EN 60529 NEMA Type 1 and Type 12
Strain relief	in accordance with DIN VDE 0619
Temperature range	-20 °C up to +80 °C
Colour	RAL 7001 silver-grey

Approvals:



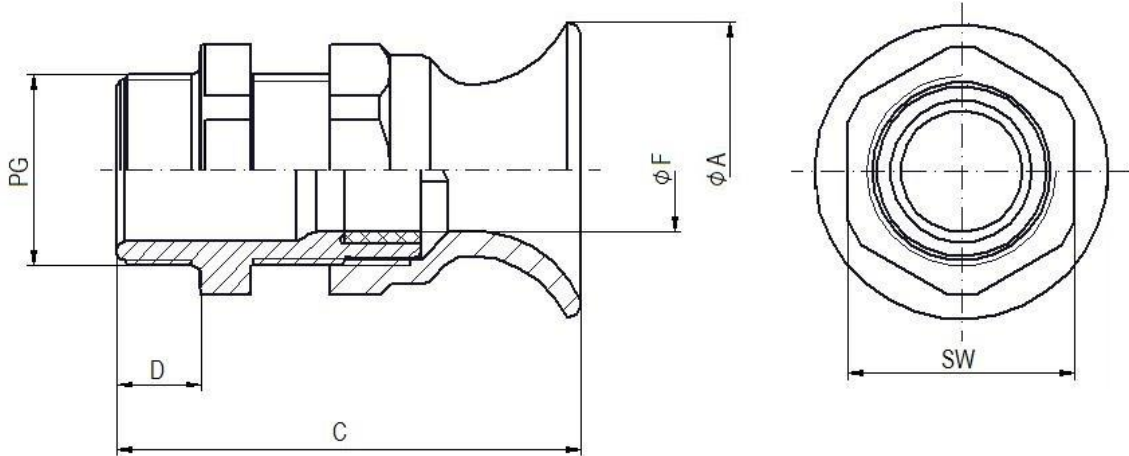
UL File Nr. E79903

Norm references:



For more information please see our current catalogue.

DATA SHEET	53015410
SKINTOP® BT	valid from: 26.02.2016



PG	SW [mm]	Ø A [mm]	C [mm] max.	D [mm]	Ø F [mm] Clamping range	Article No.
PG9	19	21,1	42,9	8	3,5 – 8	53015410
PG11	22	24,4	47,7	8	4 – 10	53015420
PG13,5	24	26,5	52,0	9	6 – 12	53015430
PG16	27	29,5	55,9	10	9 – 14	53015440
PG21	33	36,2	64,4	11	13 – 18	53015450