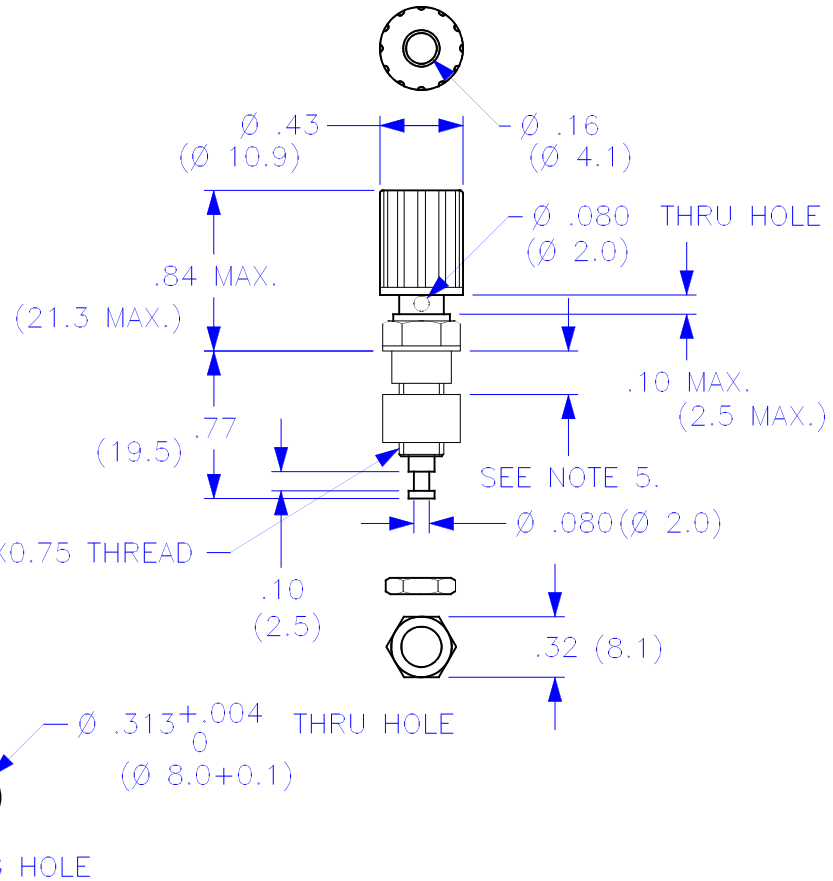


THIS IS ISSUED IN STRICT CONFIDENCE THAT IT IS NOT USED AS A BASIS FOR MANUFACTURE OR SALE AND THAT IT IS NOT COPIED, REPRINTED OR DISCLOSED TO A THIRD PARTY EITHER WHOLLY OR IN PART WITHOUT THE PRIOR WRITTEN CONSENT OF CAL TEST ELECTRONICS, INC.

REVISIONS			
REV.	DESCRIPTIONS	DATE	APPROVED
-	CLASS A RELEASED	7/11/99	

- 4mm INSULATED BINDING POST, SOLDER TURRET
- SPECIFICATIONS:  
INSULATOR: POLYAMIDE (NYLON)  
JACK BODY: BRASS, NICKEL PLATED  
NUT: BRASS, NICKEL PLATED, 2 PIECES
- RATING:  
VOLTAGE: 1,200V AC/DC  
CURRENT: 36A MAX.  
TEMPERATURE: -20° C TO +80° C.
- MOUNTING HOLE: REFERENCE DIAGRAM.
- MAXIMUM PANEL THICKNESS: .20 (5.1)



**PART NUMBER**

CT2232-#

- COLOR:
- 0 - BLACK
  - 2 - RED
  - 4 - YELLOW
  - 5 - GREEN
  - 6 - BLUE
  - 9 - WHITE

MOUNTING HOLE

<b>THIRD ANGLE PROJECTION</b>		UNLESS OTHERWISE SPECIFIED DIMENSIONS ARE IN INCHES TOLERANCES ARE: FRACTIONS DECIMALS ± 1/32 .XX ± .02 .XXX ± .005 DO NOT SCALE DRAWING		CONTRACT NO.		<b>Cal Test Electronics</b> 22820 Savi Ranch Parkway Yorba Linda, CA 92887-4610	
				<b>APPROVALS</b> <b>DATE</b> DRAWN      WDH      7/11/99 CHECKED ENGR. DESIGN ACTIVITY		<b>TITLE</b> 4mm INSULATED BINDING POST, SOLDER TURRET	
MATERIAL		FINISH		SIZE <b>A</b>		CAGE CODE <b>43F45</b>	
NEXT ASSY		USED ON		DWG. NO. <b>P223200</b>		REV. -	
APPLICATION				SCALE 1:1		SHEET 1 OF 1	

# Mouser Electronics

Authorized Distributor

Click to View Pricing, Inventory, Delivery & Lifecycle Information:

## Global Specialties:

[CT2232-5](#) [CT2232-6](#) [CT2232-2](#) [CT2232-9](#) [CT2232-0](#) [CT2232-4](#)