

4

3

2

1

THIS DRAWING IS UNPUBLISHED.
DIFFUSION RESTREINTE

RELEASED FOR PUBLICATION
LIBRE A LA DIFFUSION

20

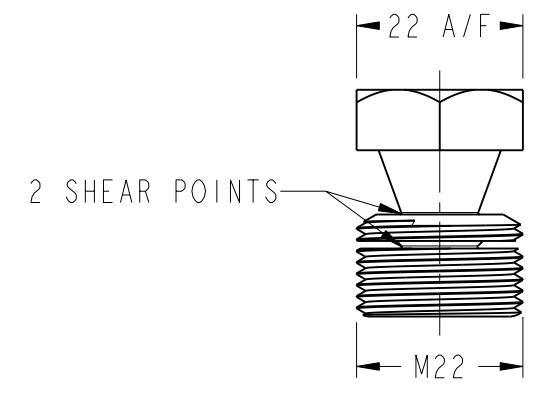
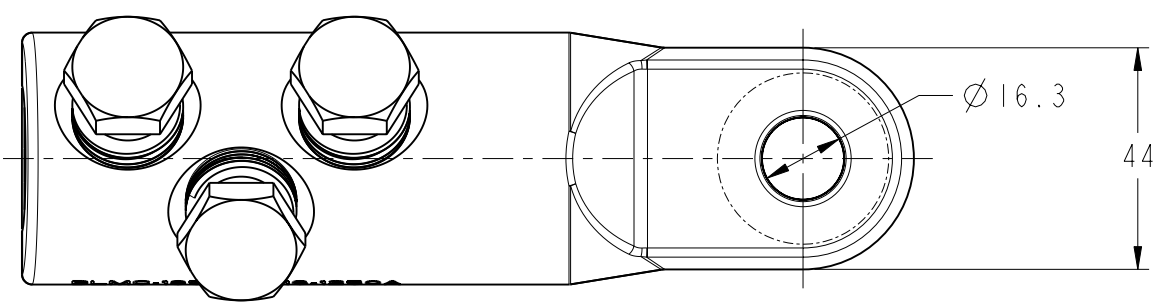
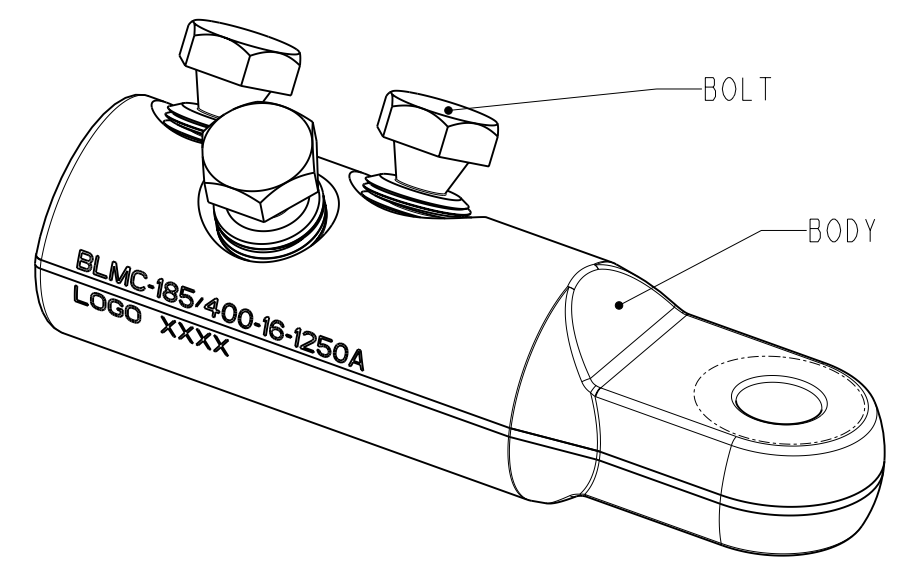
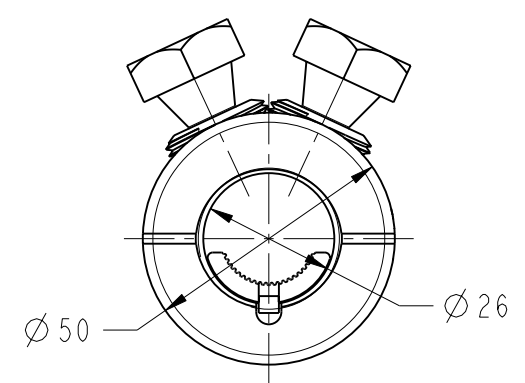
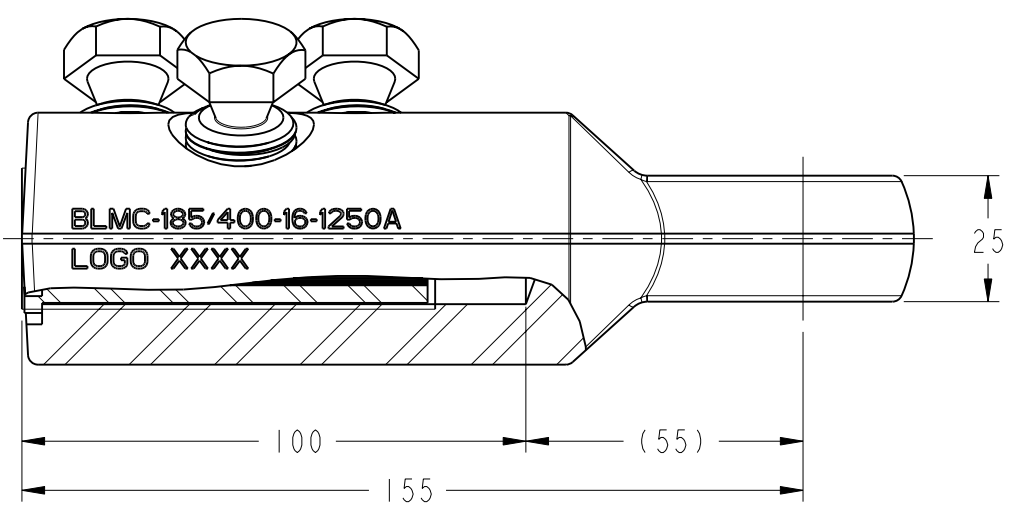
LOC
FH
DIST
2

REVISIONS

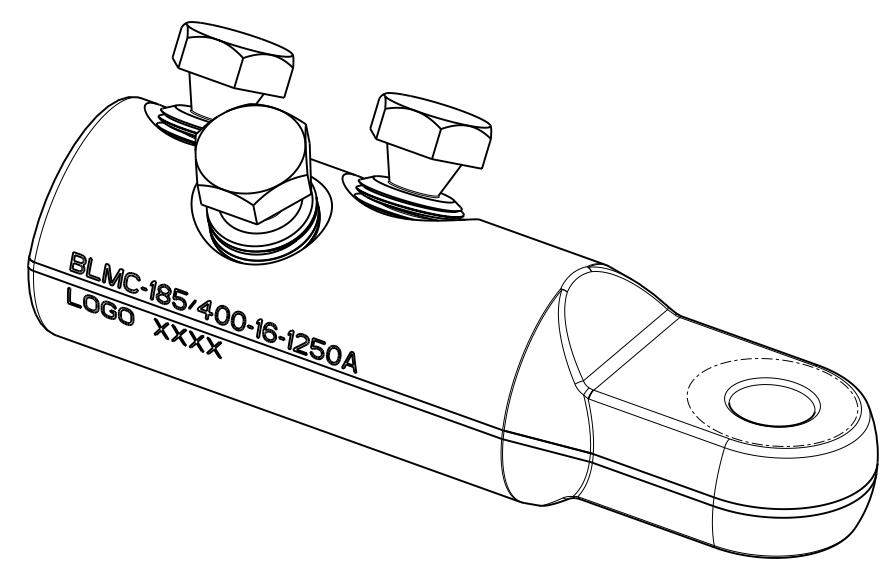
© COPYRIGHT 20 BY - ALL RIGHTS RESERVED.
TOUS DROITS RESERVES

BLMC-185/400-16-1250A	2107038-1	CR1097-000
DESCRIPTION	PART NUMBER	RPN

P	LTR REV	DESCRIPTION MODIFICATIONS	DATE	DWN DESS.	APVD APP.
	I	CREATION (WAS P202416)	15MAY2009	BM	NA
	A	DRAWING DIFFUSION	15APR2011	BM	NA



	AL				CU	
	ROUND STRANDED /Circ. câblé /RM	ROUND SOLID /Circ. massif /RE	SECTOR STRANDED /Sectoral câblé /SM	SECTOR SOLID /Sectoral massif /SE	ROUND STRANDED /Circ. câblé /RM	SECTOR STRANDED /Sectoral câblé /SM
CONDUCTOR CROSS-SECTION /Section conducteur /Querschnittsbereich mm ²	185-400	185-400	185-240 (300 and 400 with rounding)	185-240 (300 with 90°)	185-400	185-240 (300 and 400 with rounding)
CONDUCTOR DIAMETER /Diamètre conducteur /Leiterdurchmesser mm	Ø15.5-Ø24.6	Ø14.8-Ø22.2	-	-	Ø15.5-Ø24.6	-



THIS DRAWING IS A CONTROLLED DOCUMENT.
CE PLAN EST UN DOCUMENT CONTROLE PAR TYCO ELECTRONICS CORPORATION
IL EST SUSCEPTIBLE D'ETRE REVISE. POUR OBTENIR LA DERNIERE REVISION,
CONTACTER LE SERVICE TECHNIQUE DE TYCO ELECTRONICS SIMEL SAS,
21220 GEVREY-CHAMBERTIN, FRANCE.

DIMENSIONS: mm

TOLERANCES UNLESS OTHERWISE SPECIFIED: (SUIV NB DE DECIMALES):
 0 PLC /DEC: ±0
 1 PLC /DEC: ±0
 2 PLC /DEC: ±0
 3 PLC /DEC: ±0
 4 PLC /DEC: ±0
 ANGLES ±

MATERIAL MATIERE AL ALLOY FINISH FINITION TINNED

DWN /DESSINE 15MAY2009
B. MILLOT

CHK /VERIFIE M. DOLLING

APVD /APPROUVE N. ALMEIDA

PRODUCT SPEC SPEC. PRODUIT

APPLICATION SPEC SPEC. APPLICATION

WEIGHT MASSE APPROX. 655 g

TE Connectivity

NAME TITRE BLMC-185/400-16-1250A

SIZE FORMAT A3 CAGE CODE - DRAWING NO No PLAN C-2107038 RESTRICTED TO RESERVE A -

CUSTOMER DRAWING /PLAN CLIENT UNIQUEMENT POUR REFERENCE SCALE ECHELLE 2:3 SHEET FEUILLE 1 OF DE 1 REV A