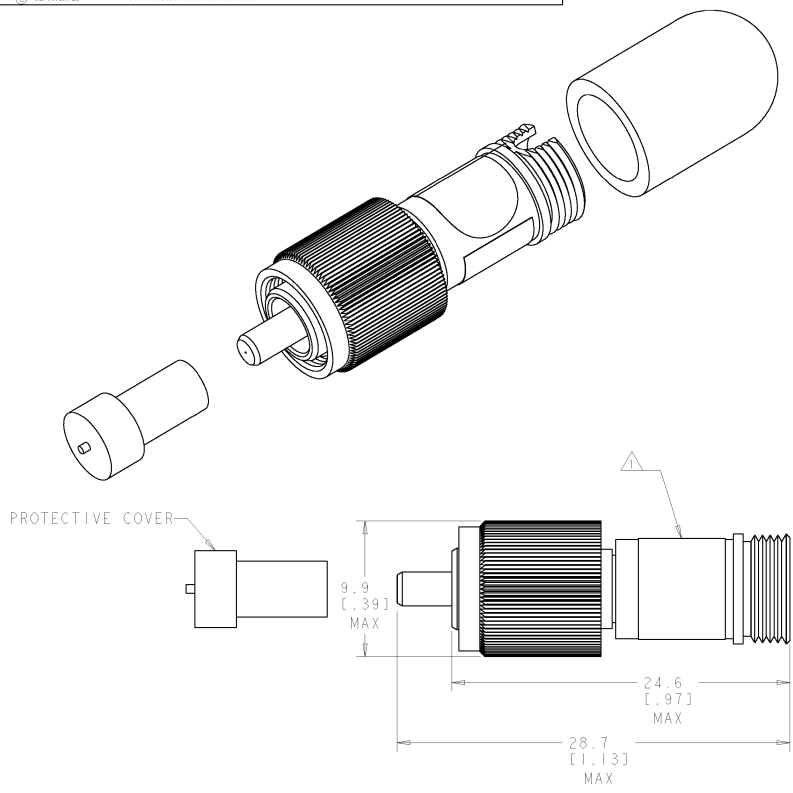


THIS DRAWING IS UNPUBLISHED. RELEASED FOR PUBLICATION BY TICO ELECTRONICS CORPORATION. ALL RIGHTS RESERVED.

REV	DATE	BY	CHKD	DESCRIPTION
B	20MAR2007	EJH	SB	ECR-06-029231



NOMINAL ATTENUATION VALUE (dB)	PART NUMBER
1	5209948-1
2	5209948-2
3	5209948-3
4	5209948-4
5	5209948-5
6	5209948-6
7	5209948-7
8	5209948-8
9	5209948-9
10	1-5209948-0
12	1-5209948-2
13	1-5209948-3
14	1-5209948-4
15	1-5209948-5
18	1-5209948-8
20	2-5209948-0
25	2-5209948-5

PERFORMANCE REQUIREMENTS:
 OPERATING WAVELENGTH : 1310/1550nm ±25nm
 REFLECTANCE : ≤ -55dB
 OPERATING TEMPERATURE : -40°C TO 75°C
 ATTENUATION TOLERANCE, AMBIENT :
 FOR ATTENUATORS ≥5dB: ±10% OF NOMINAL ATTENUATION VALUE
 FOR ATTENUATORS <5dB: ±.50dB
 MEASURED WITH REFERENCE QUALITY LAUNCH LEADS

△ TYCO LOGO, ATTENUATION VALUE, PART NUMBER, AND SERIAL NUMBER ARE PRINTED ON THE LABEL

DIMENSIONS: mm (INCHES)	FINISH: 0 PLC - 1 PLC - 2 PLC - 3 PLC - 4 PLC - 5 PLC - ANGLES - FINISH -	DATE: 30DEC2005 BY: HOPKINS CHECKED: HOPKINS DATE: 13DEC2005 APPROVED: HOPKINS DATE: 13DEC2005 TITLE: ATTENUATOR, OPTICAL, BUILDOUT FC/UPC, SM, DUAL WINDOW SIZE: A2 CASE CODE: 100779 DRAWING NO: 5209948 RESTRICTED TO:
MATERIAL:		CUSTOMER DRAWING SCALE: 5:1 SHEET: 1 OF 1 REV: B