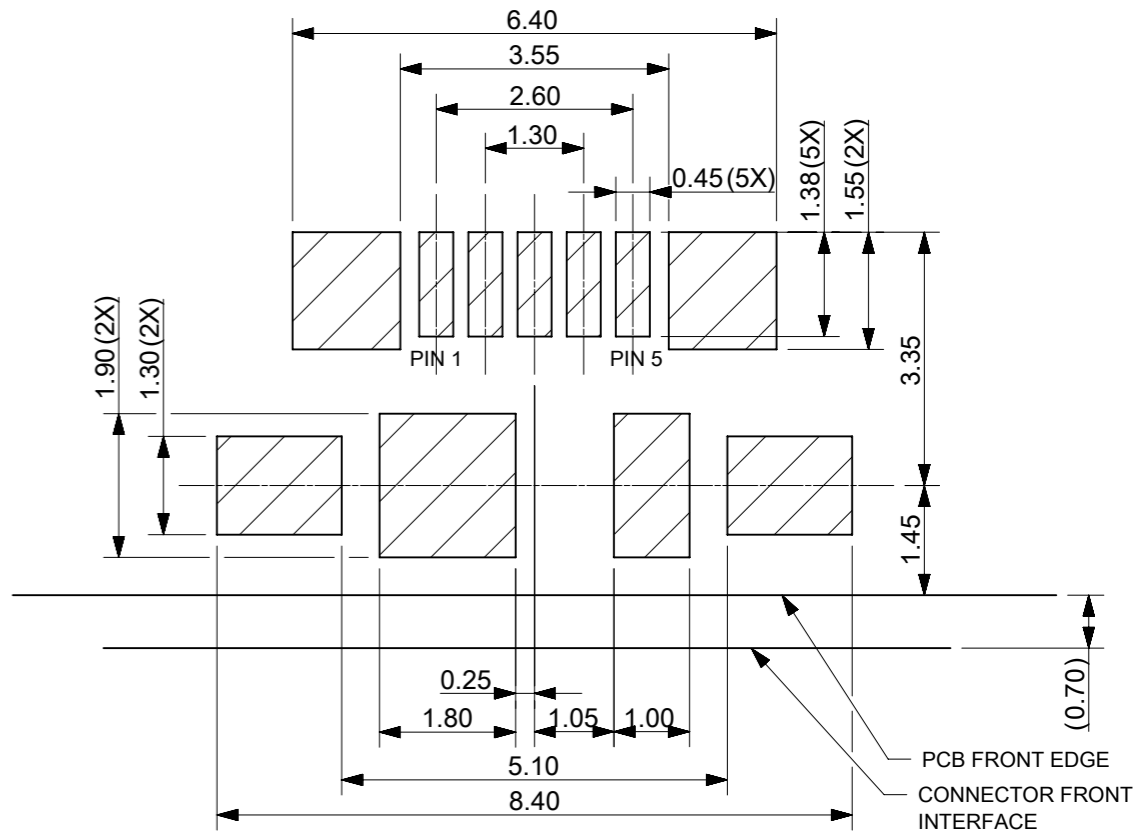
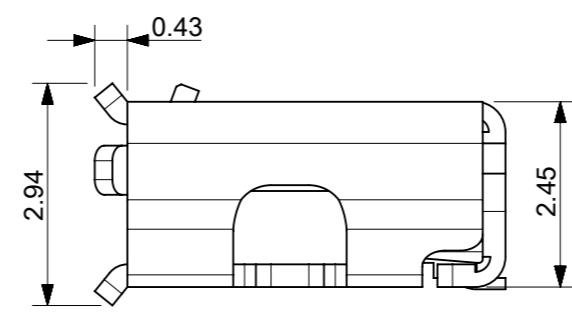
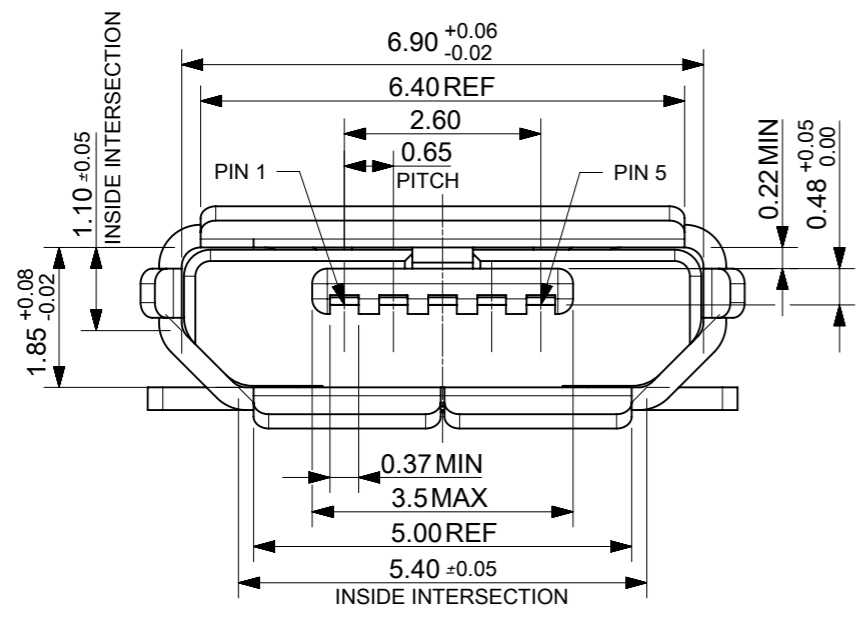
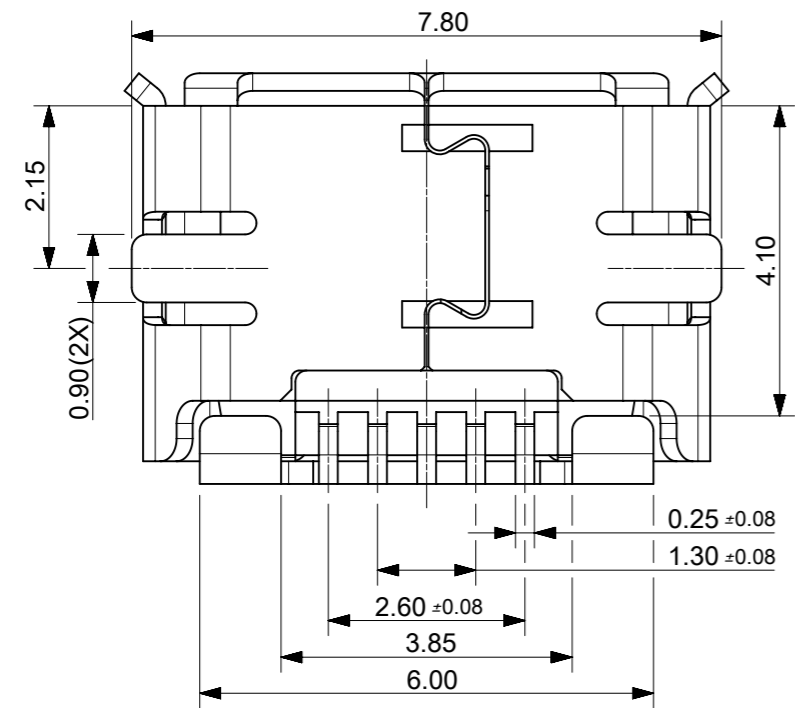


- NOTES:
- MATERIAL:  
HOUSING: LCP, BLACK, UL94V-0;  
TERMINAL: COPPER ALLOY, THICKNESS: 0.15mm;  
SHELL: STAINLESS STEEL, THICKNESS: 0.30mm.
  - PLATING:  
TERMINAL:  
CONTACT AREA: GOLD FLASH OVER MINIMUM 0.75MICRON Pd/Ni;  
SOLDER TAIL AREA: GOLD FLASH;  
UNDER PLATING: NICKEL 2.0MICRON MINIMUM.  
SHELL:  
MATTE TIN 3.8MICRON MINIMUM;  
UNDER PLATING: NICKEL 1.27MICRON MINIMUM.
  - TAIL & NAIL COPLANARITY 0.08mm MAXIMUM.
  - PRODUCT SPECIFICATION: PS-47346-001.
  - PACKAGE SPECIFICATION: PK-47346-001.
  - COMPLIANT TO RoHS DIRECTIVE 2011/65/EU AND ELV 2000/53/EC.



5	GND
4	ID
3	D+
2	D-
1	VBUS
PIN	NAME
PIN ASSIGNMENT	



47346-0001	WITH FLANGE
PART NUMBER	DESCRIPTION

RECOMMENDED P.C.B. PATTERN LAYOUT  
GENERAL TOLERANCE: ±0.05

THIS DRAWING CONTAINS INFORMATION THAT IS PROPRIETARY TO MOLEX ELECTRONIC TECHNOLOGIES, LLC AND SHOULD NOT BE USED WITHOUT WRITTEN PERMISSION											
DIMENSION UNITS: mm		SCALE: NTS		CURRENT REV DESC: REVISED PCB LAYOUT				<b>molex</b>		MICRO USB B REC. BOTTOM MOUNT ASS'Y	
GENERAL TOLERANCES (UNLESS SPECIFIED)		ANGULAR TOL ± 3.0°		EC NO: 605691							
4 PLACES ±		3 PLACES ±		DRWN: XQZHANG		2018/10/09		PRODUCT CUSTOMER DRAWING		DOCUMENT NUMBER	
2 PLACES ± 0.25		1 PLACE ± 0.25		CHK'D: AYIN		2019/01/30		SD-47346-001		DOC TYPE DOC PART REVISION	
0 PLACES ±		INITIAL REVISION:		APPR: AYIN		2019/01/30		GENERAL MARKET		SHEET NUMBER	
DRAFT WHERE APPLICABLE MUST REMAIN WITHIN DIMENSIONS		THIRD ANGLE PROJECTION		DRAWING: A3-SIZE		SERIES: 47346		SEE TABLE		1 OF 2	

