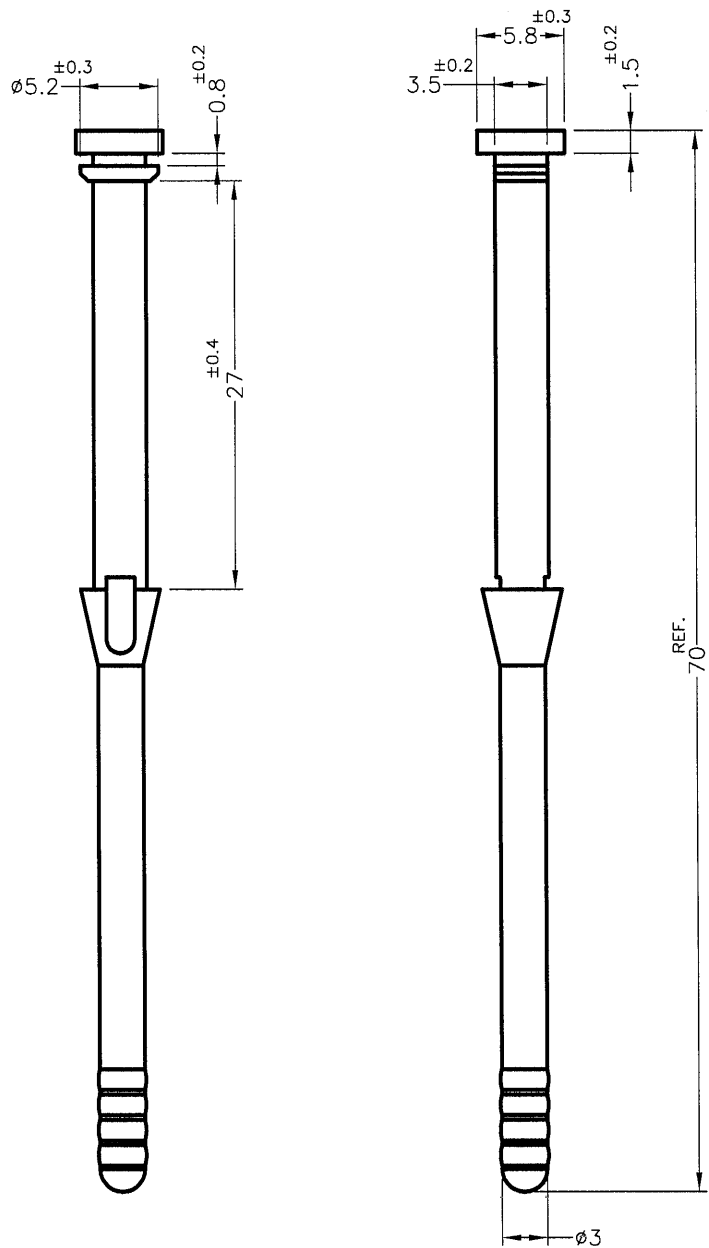


REVISIONS			
REV	DESCRIPTION	DATE	BY



PART NO.	HARDNESS
BUB-70G(B)	45°±10°
BUB-70H	55°±10°

NOTE: MADE OF EQUIVALENT MATERIAL.
均可使用同等材質.

				TITLE	FAN SNAP RIVET	SPEC. DWG.	
				MATERIAL	TPE	DATE	2007.03.28
				HARDNESS	SEE ABOVE	DRAWN	BUNNY
				COLOR	BLACK	CHECK	
PART NUMBER	SEE ABOVE	DRAWING NUMBER	BUB-70	UNLESS OTHERWISE SPECIFIED TOLERANCE	SEE ABOVE	APPROVED	
SIZE	A4	SCALE	2:1	UNIT	mm	REV	C