

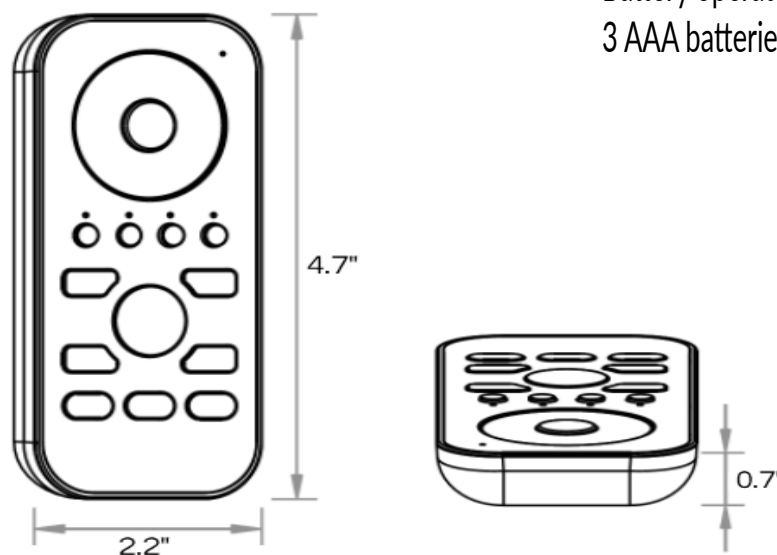
# HANDHELD RGB LED CONTROLLER

## SPECIFICATION:

<b>Voltage/Battery</b>	3 VDC (CR2032)
<b>RF Frequency</b>	433.92 MHz
<b>Working Distance</b>	up to 160ft from receiver
<b>Operating Temp.</b>	-4°F - 131°F
<b>Weight</b>	0.09 lb. (42g)
<b>Mounting</b>	Wall mount holder included
<b>LED Tape Compatibility</b>	Compatible with 12-24V DC LED Tapes
<b>Protocol</b>	RF Signal
<b>Zones</b>	4 Zones, 3 Scenes
<b>Warranty</b>	5 Year Limited
<b>IP Rating</b>	IP20 - dry locations only



## DIMENSIONS



Battery operated.  
3 AAA batteries not included.