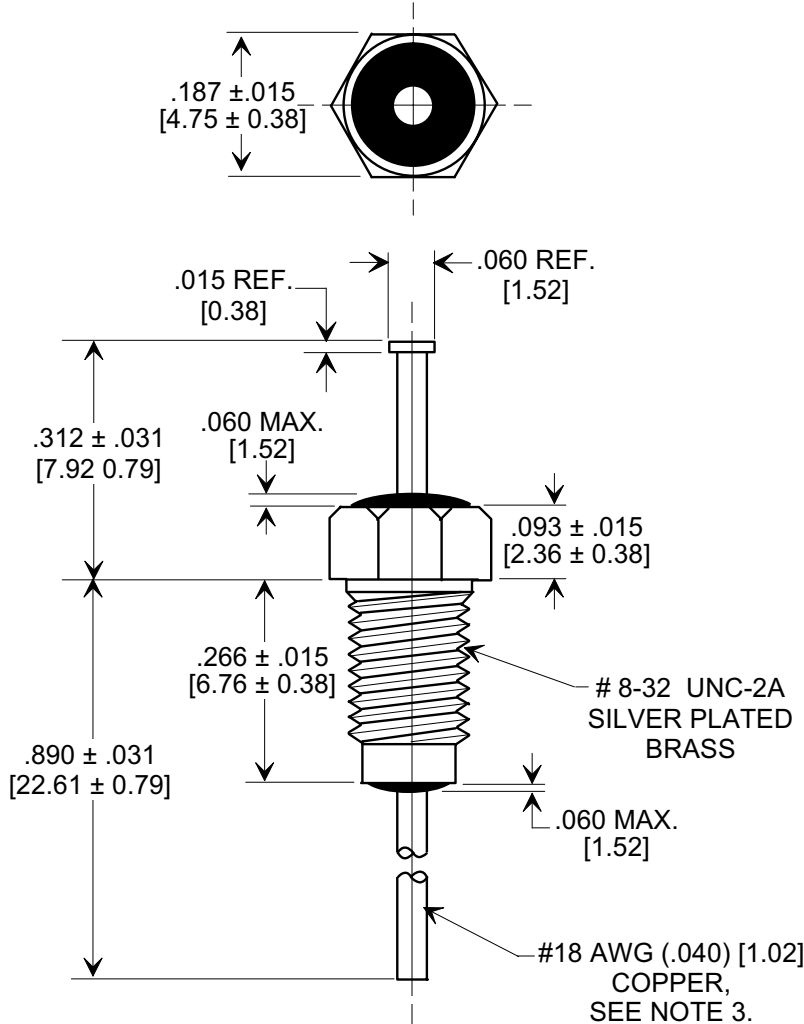
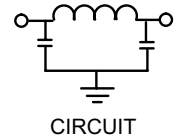
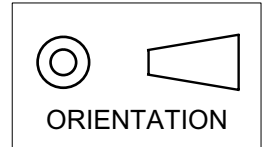


MARKETING SALES DRAWING

DIMENSIONS IN INCHES - DO NOT SCALE THIS DRAWING
DIMENSIONS IN METRIC - []

Electrical Testing
 per Tusonix standard
 test plans and Mil-Std-202
 Test Methods.



NOTES:

- SUPPLIED WITH SILVER PLATED HEX NUT AND LOCKWASHER.
- TUSONIX STANDARD PART NUMBER: 4201-053.
 TUSONIX RoHS COMPLIANT PART NUMBER: 4201-053 LF.
 CUSTOMER MUST SPECIFY STANDARD OR RoHS PART NUMBER WHEN ORDERING.
- LEAD FINISH: STANDARD PART #: 60/40 SOLDER PLATED. RoHS PART #: SILVER PLATED.
- PART MARKING: TRADEMARK AND VARIATION NUMBER ON HEX FLATS.
 STANDARD PART: BLACK INK. RoHS PART: GREEN INK.

MIN. CAP. (pF)	WORKING VOLTAGE (WVdc)		CURRENT (Idc)	I.R. MIN. @ 100 VDC	D.W.V.	MINIMUM NO LOAD INSERTION LOSS (dB) AT 25°C PER MIL-STD -220			
	85°C	125°C				10 MHz	100 MHz	1 GHz	10 GHz
5500	200	100	15 A	10 G	400 VDC	14	55	65	65

X-2015 Rev-0 REVISION RECORD Original Release C.O. 19980310-7-01 DIM'S IN METRIC & SYMBOL ORIENTATION & CIRCUIT SYMBOL ADDED L.E. 04-16-03 20030414-3-02 ADDED NOTES. S.M. 07-28-05 20050726-2-28	0	--TOLERANCES-- Unless Otherwise Specified DECIMAL ± ANGLES ±	Title BUSHING MOUNT PI TYPE EMI FILTER	
	1		Drawn S.M. 03-11-98 Scale 4 X	
	2		Approved H.R. 03-11-98	
	TUSONIX TUCSON, ARIZONA		A	4201-053