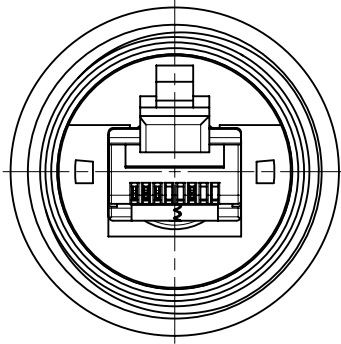
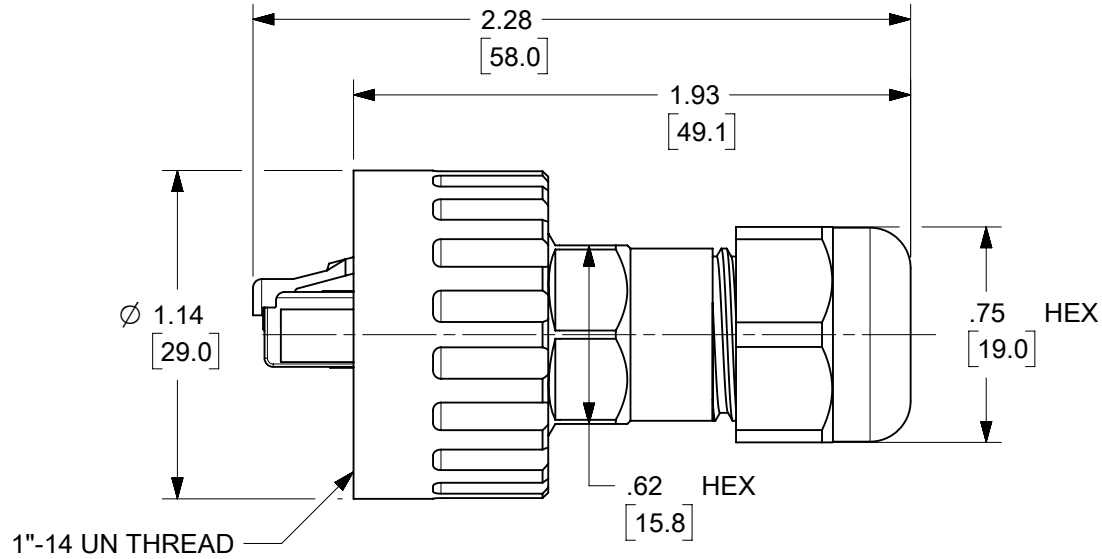


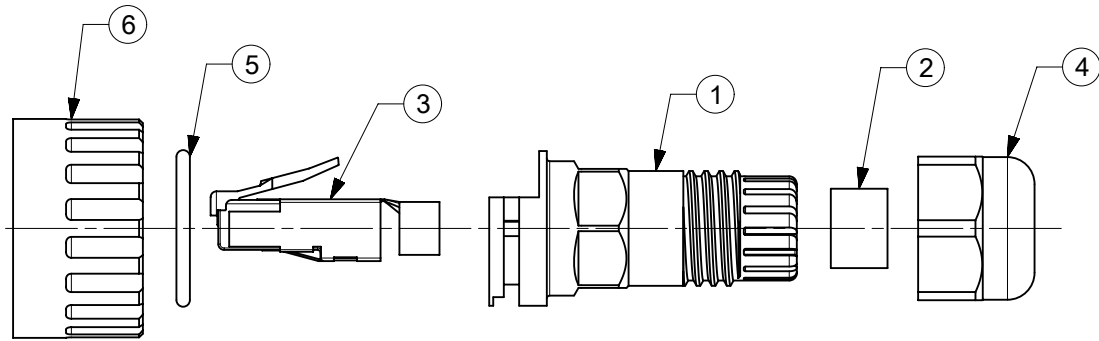
MATERIAL NO.	ENGINEERING NO.
1300570001	ENQAM315



FACE VIEW



- NOTES:
- ELECTRICAL:
VOLTAGE; 30V
CURRENT: 1.5A
 - TEMP RATING: -20°TO +80°C
 - PROTECTION: IP67 (WHEN MATED)
 - ALL DIMS ARE FOR REFERENCE UNLESS TOLERANCED OR NOTED OTHERWISE



ITEM	DESCRIPTION	MATERIAL	FINISH
6	MATING COUPLER	ABS	BLACK
5	MATING O-RING	VITON	BROWN
4	COMPRESSION NUT	NYLON	BLACK
3	RJ45-PLUG 8 POSITION	POLYCARBONATE	CLEAR
2	CABLE GROMMET	CR/NBR	BLACK
1	RJ LNXX ATTACHABLE BODY	ABS	BLACK

DOCUMENT STATUS	P1	RELEASE DATE	2021/04/27	23:49:36
-----------------	----	--------------	------------	----------

THIS DRAWING CONTAINS INFORMATION THAT IS PROPRIETARY TO MOLEX ELECTRONIC TECHNOLOGIES, LLC AND SHOULD NOT BE USED WITHOUT WRITTEN PERMISSION												
$\frac{F}{A} = 0$ $\frac{E}{E} = 0$ $\frac{F}{P} = 0$	DIMENSION UNITS INCH/MM	SCALE 2:1	CURRENT REV DESC: UPDATE TO LATEST DOC STANDARD, ADD SOLID CABLE OPTION									
GENERAL TOLERANCES (UNLESS SPECIFIED)			molex RJ-LNXX ATTACHABLE FOR STRANDED AND SOLID CABLE PRODUCT CUSTOMER DRAWING									
ANGULAR TOL ± °												
4 PLACES	±											
3 PLACES	±											
2 PLACES	±											
1 PLACE	±		EC NO: 661647	2021/04/23	DOCUMENT NUMBER 1300570001				DOC TYPE	DOC PART	REVISION	
0 PLACES	±		DRWN: MZIELINSKI	2021/04/23					PSD	000	A	
DRAFT WHERE APPLICABLE MUST REMAIN WITHIN DIMENSIONS			THIRD ANGLE PROJECTION	DRAWING					SERIES	MATERIAL NUMBER	CUSTOMER	SHEET NUMBER
				A-SIZE					130057	1300570001	GENERAL MARKET	1 OF 1