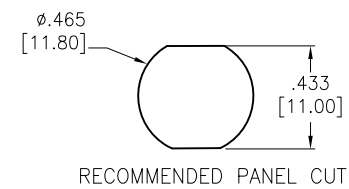
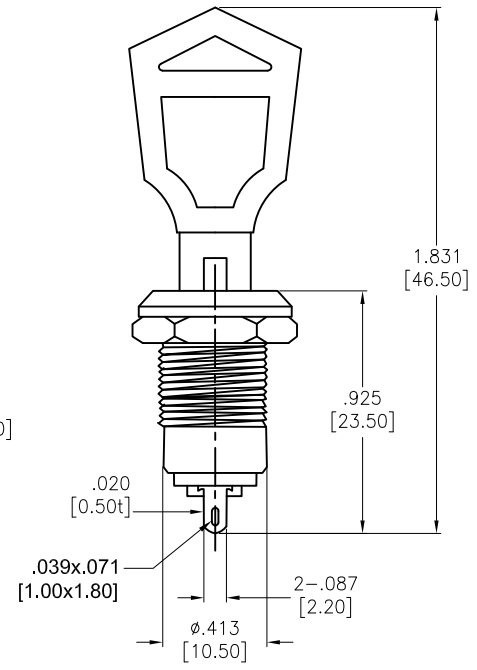
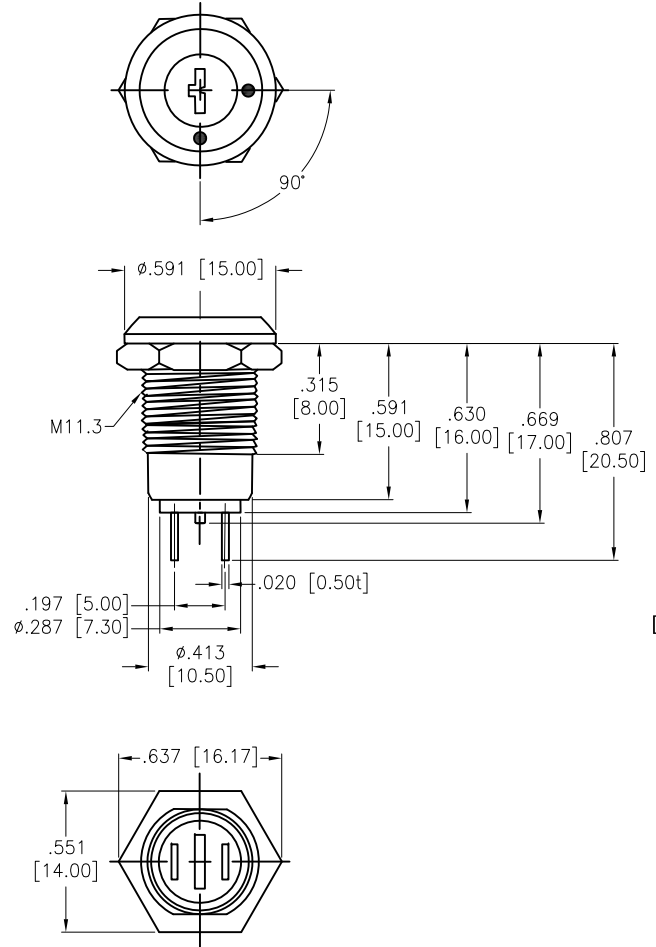


APPROVED: \_\_\_\_\_  
 DATE: \_\_\_\_\_ TITLE: \_\_\_\_\_

| Rev | AWO # | Description    | Date    | Appr  |
|-----|-------|----------------|---------|-------|
| -   |       | RELEASED       | 11/9/20 |       |
| A   |       | UPDATE DRAWING | 5/12/21 | JJ/RC |
| B   |       | ADDED SPEC.    | 8/31/21 | WX/RC |
| C   |       | UPDATE SPEC.   | 5/27/22 | WX/MC |



|              |
|--------------|
| FUNCTION     |
| SPST, ON-OFF |

|           |  |
|-----------|--|
| ADAM-P/N  | SPEC.  |
| SW-R-K1-A | Key pulled on both positions. Note: this would be our standard |
| SW-R-K1-B | Key pulled on 1 position                                       |

**SPECIFICATIONS:**

Material:  
 Body: Steel, Polished Chrome, Silver plated  
 Electrical:  
 The rated load: 125 VAC, 1A  
 250 VAC, 0.5A  
 Contact resistance: 100 mΩ max  
 Insulation resistance: 100 mΩ min (500VDC)  
 Dielectric withstanding voltage: 500 VAC for 1 minute  
 Mechanical life: 5000 times max  
 Temperature Rating:  
 -25°C to +85°C  
 Environmental:  
 Lead free, RoHS compliant



|  |        |         |
|--|--------|---------|
| UNLESS OTHERWISE SPECIFIED ALL DIMENSIONS ARE INCHES [MM]. TOLERANCES: EXCEPT AS NOTED                                       |        |         |
| INCHES   |        |         |
| .x   | ± .10  | HOLES   |
| .xx  | ± .020 | ∅x      |
| .xxx   | ± .015 | ∅.xx    |
|  |        | ∅.xxx   |
|  |        | ± .010  |
|  |        | ± .015  |
|  |        | ± .010  |
| DRAWN  | OW     | 11/9/20 |
| CHECKED  | AC     | 11/9/20 |
| APPROVED   |        |         |
| THIS DRAWING CONTAINS INFORMATION THAT IS PROPRIETARY AND SHOULD NOT BE USED WITHOUT PRIOR WRITTEN PERMISSION FROM ADAM TECH |        |         |

**ADAM TECH** 909 Rahway Avenue,  
 Union, NJ 07083  
 Phone: 908-687-5000  
 Fax: 908-687-5710

|       |  |                         |
|-------|--|-------------------------|
| TITLE | SWITCH, KEY LOCK, SPST, ON-OFF<br>PANEL MOUNT, SOLDER TERMINAL |                         |
| SIZE  | PART NO.   | REV.                    |
| X     | SW-R-K1-X  | C                       |
| REF:  | S00206C  | SCALE: NTS SHEET 1 OF 1 |