

LIGHTHAWK® ULTRASONIC WALL SWITCH SENSOR

WALL SWITCH OCCUPANCY SENSORS

FEATURES

- Digital Ultrasonic (US) sensor
- IntelliDAPT® self-adaptive technology; no manual adjustment required
- Single and dual relay models for on/off switching
- Occupancy (auto-ON) and Vacancy (manual-ON) operating modes
- 400 square-foot, 180° coverage area
- 120/277VAC, 347VAC and 24VDC models
- Zero Arc Point Switching



RELATED PRODUCTS

[Occupancy Sensor Accessories](#)

[LightHAWK Dual Tech](#)

[LightHAWK PIR](#)

[LightHAWK Dimming Dual Tech](#)

[LightHAWK Dimming PIR](#)

[LightHAWK Ultrasonic](#)

SPECIFICATIONS

CONSTRUCTION

- Casing - high - impact injection - molded plastic (UL-94-5V Impact-resistance lens)
- Color-coded leads are 6" (152.4mm) long
- Wrap around galvanized steel mounting strap
- 2.9 oz. (82.21g)
- White; Ivory; Light Almond; Gray; Black

MOUNTING

- Single-gang NEMA-style switch box (standard switch box)
- Decorator-style wall plate sold separately

ELECTRICAL

- 40kHz output
- Natural light override range: 10-500 foot-candles
- 120/277VAC; 50/60Hz
- 347VAC; 50/60Hz

ELECTRICAL (CONTINUED)

- 24VDC (requires power pack - sold separately)
- 120VAC: 800W Incandescent/ Electronic Ballast/ LED Driver, 1,000W Magnetic Ballast; ½ HP Motor
- 277VAC: 1,800W Magnetic Ballast/ Electronic Ballast/ LED Driver; ½ HP Motor
- 347VAC: 1,500W Magnetic Ballast/ Electronic Ballast/ LED Driver; ½ HP Motor

OPERATIONS

- IntelliDAPT
 - Self-adjusting Ultrasonic (US) and passive infrared (PIR) sensitivity
 - Automatic false-ON/ false-OFF corrections
 - No manual adjustments required
- Coverage
 - 400 square-foot, 180° coverage area

OPERATIONS (CONTINUED)

- Timer Settings
 - Auto mode: 4-30 minutes; self-adjusts based on occupancy
 - Fixed mode: 4, 8, 15, and 30 minutes
 - Test mode: 5 seconds

OPERATING ENVIRONMENT

- Indoor use only
- Operating temperature: 32° to 104°F (0° to 40°C)
- Relative humidity (non-condensing): 0% to 95%

CERTIFICATIONS

- UL and cUL listed

WARRANTY

- 5 year warranty
- See [HCS Standard Warranty](#) for additional information

ORDERING GUIDE

Example: LHUSS1-G-WH-M

CATALOG # _____

Series	Buttons	Wiring	Color	Mode	
LHUSS	Light-HAWK Ultrasonic Single Relay	0 0 ²	G Ground (120/277V)	WH White	Blank Switchable Vacancy or Occupancy Mode
LHDCUSD	Light-HAWK Ultrasonic Dual Isolated Relay	1 1	N Neutral (120/277V)	IV Ivory	M Vacancy Mode Only
LHUSD	Light-HAWK Ultrasonic Dual Circuit Relay ¹	2 2 ³	24V Low Voltage ⁴	LA Light Almond	
		G347 Ground (347V)	GY Gray		
		N347 Neutral (347V)	BK Black		

Notes:

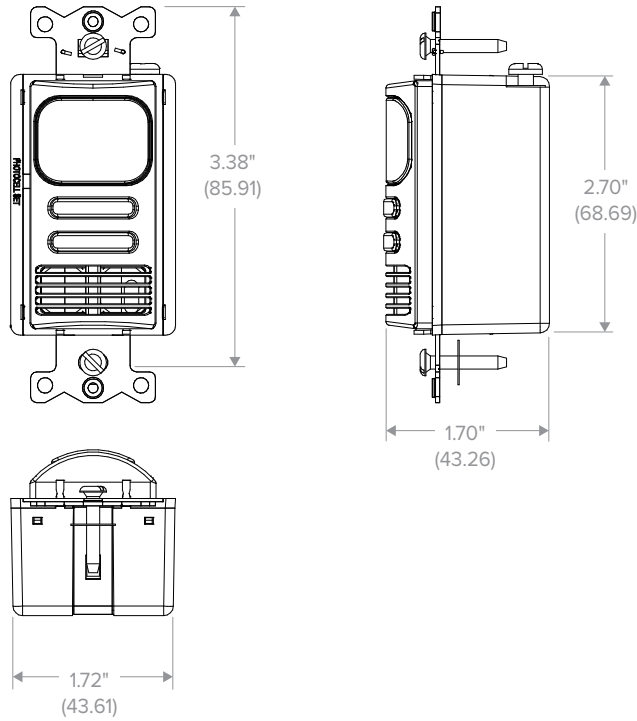
- 1 Only available in 24V version
- 2 No button version not available with -M option
- 3 Two button option only available with LHDC model
- 4 Low voltage sensors require a power pack that is sold separately



LIGHTHAWK® ULTRASONIC WALL SWITCH SENSOR

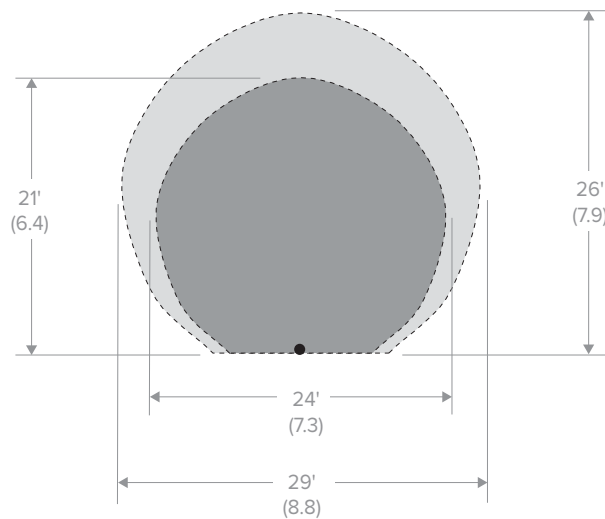
WALL SWITCH OCCUPANCY SENSORS

DIMENSIONS



ADDITIONAL INFORMATION

Coverage Pattern



US Major Motion US Minor Motion

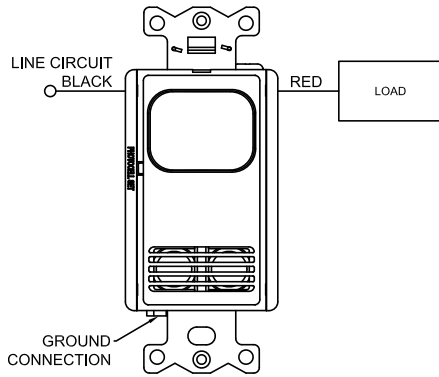


LIGHTHAWK® ULTRASONIC WALL SWITCH SENSOR

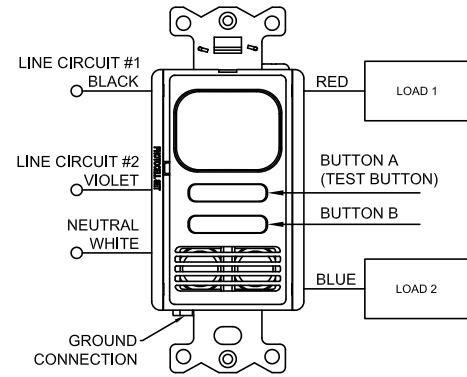
WALL SWITCH OCCUPANCY SENSORS

ADDITIONAL INFORMATION (CONTINUED)

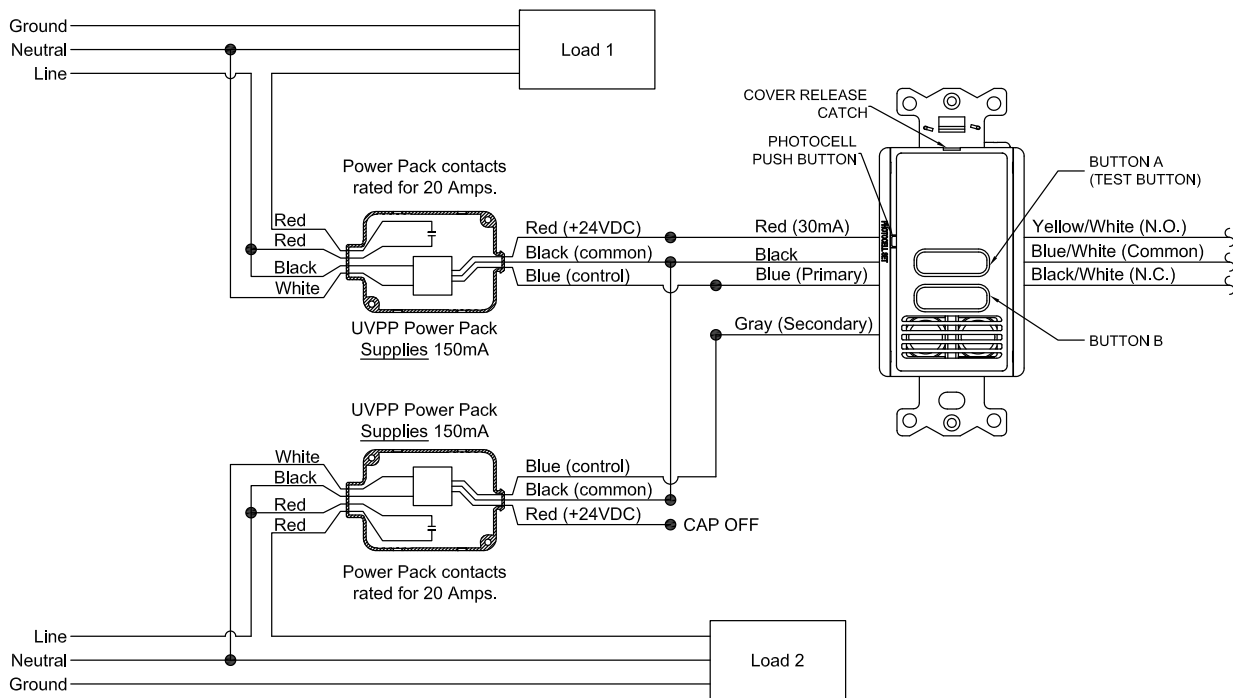
Wiring Diagrams



SINGLE LOAD WIRING



DUAL LOAD WIRING



LOW VOLTAGE DUAL LEVEL CONTROL WITH TWO POWER PACKS

All product and company names, logos and product identifiers are trademarks™ or registered trademarks® of Hubbell Lighting, Inc. or their respective owners. Use of them does not necessarily imply any affiliation with or endorsement by such respective owners.